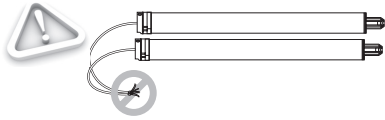


Sonesse 40 RTS – System wiring

WIRING RECOMMENDATIONS

The Sonesse 40 RTS is a AC motor and requires a 230Vac supply feed across the neutral and live to provide operational control.

PARALLEL WIRING

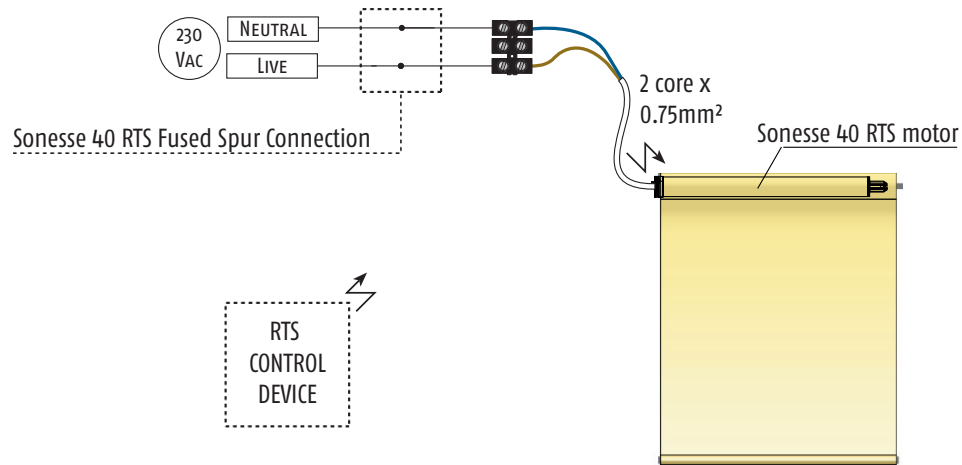


Wiring multiple Sonesse 40 RTS motors in parallel will complicate the commissioning procedure and result in difficulty when future maintenance work determines that the motor must be disconnected from the mains. We recommend that a separate switched fuse spur is specified for every Sonesse 40 RTS mains supply connection.

SONESSE 40 RTS

Sonesse 40 RTS motors have an integral radio receiver, that enables control via radio signalling. The commissioning process can configure the motorised blinds for different scenarios depending on the project requirement.

WIRING

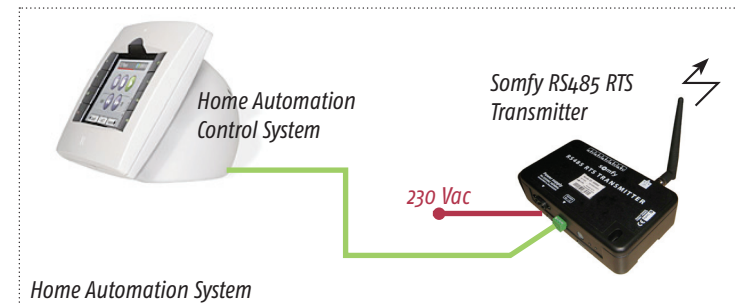


Sonesse 40 RTS Wiring

Brown – Live
Blue – Neutral
No Earth wire – Class II

SONESSE 40 RTS CONTROL SCENARIO

Scenario based on 4 Sonesse 40 RTS motors controlled by a home automation system.



The Home Automation Control System is a third party product not supplied by Somfy.

