

# Screens



## RS Smart Screens - 85, 100 & 130



Due to the innovative design that allows you to hide the bottom strip in the box, RS Smart takes less light than other similar products.

A box with side guides integrated with a fabric made of fiberglass and PVC, which is durable and resistant to weather conditions. Additionally, thanks to the properties of the used fabrics, they guarantee optical comfort inside the building.

RS Smart 85 is a compact model that takes up the least space in the window. RS Smart 100 is a universal model, while RS Smart 130 be used for very large areas. Another advantage of this model is the possibility of access to the box from below.

For hard-to-reach windows the RS Smart models 100 & 130 are also available with a solar rechargeable motor option.

We also have the option for the Maestria IO motor - a motor that will automatically stop before hitting an obstacle.

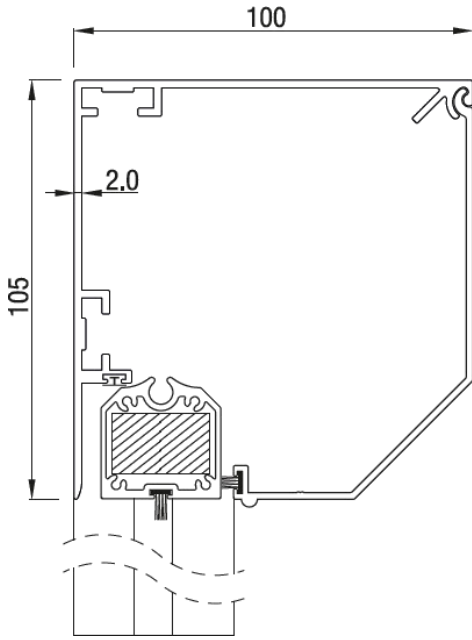




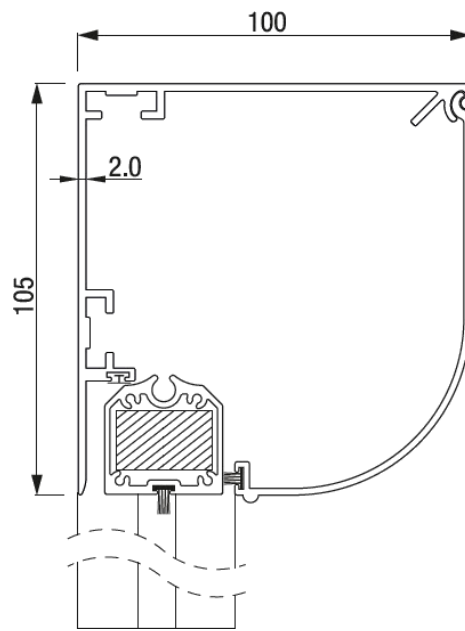
RS Smart 100

	Maximum Width (cm)	Height (cm)	area (m <sup>2</sup> )
RS Smart 100	400	300	12.0

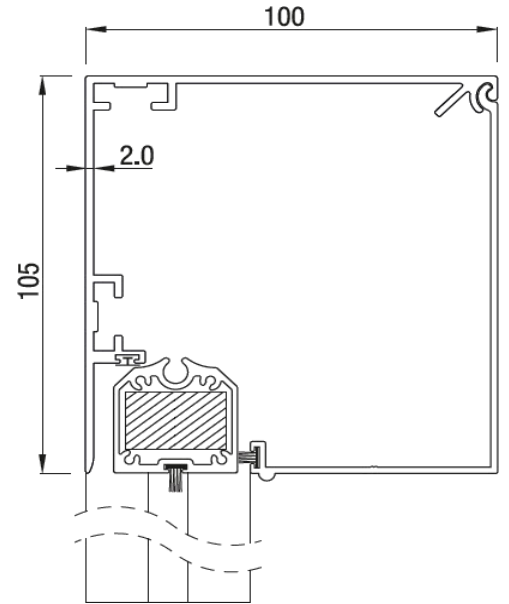
RS Smart 100 - 45°



RS Smart 100 - Half Round

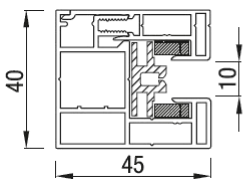


RS Smart 100 - Square

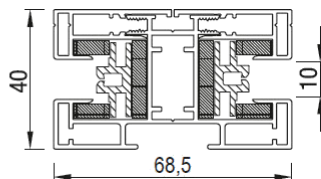


Guide Rails

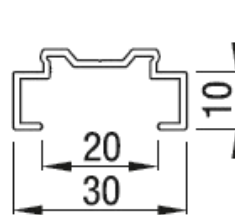
STG



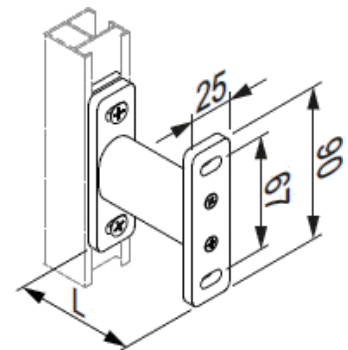
MSTG



Offset profile



Spacer



RS Smart 100 - IO motors only

Eolis IO sensor wire free wind sensor (option)

