

SPECIFIKATIONER: Smooove Origin IB

| Smooove Origin IB | Ref. 1811272 |
|--------------------|--------------------------|
| Tør kontakt | 24 V DC / 50 mA Δ |
| Klemmer | Skrueskoblinger |
| Driftstemperatur | 0° C til 45° C |
| Relativ fugtighed | Max. 85 % |
| Kabinetmateriale | PC/ABS Polykarbonat |
| Kabinetmål | 50x50x27 mm |
| Beskyttelsesklasse | IP 20 |
| Beskyttelsesklasse | III |
| Overensstemmelse | www.somfy.com/ce |

DK

Mål

a = 71 mm
b = 50 mm
c = 25 mm

Kabel

Min.: 4 x 0.6 mm/22 AWG
Max.: 4 x 1.5 mm²/16 AWG

Tilslutning til animeo IB+ eller Inteo IB motor controllers

1 Op
2 Stop/IP (my)
3 Ned

Δ Jumper til „IB“

Tilslutning til animeo CD motor controllers

1 Op
2 Stop/my
3 Ned

Δ Jumper til „my“

Tilslutning til FTS styring

1 Op
2 Stop/my
3 Ned

Δ Jumper til „INT IB“

CHARACTERISTICS: Smooove Origin IB

| Smooove Origin IB | Ref. 1811272 |
|-----------------------|--------------------------|
| Dry contact | 24 V DC / 50 mA Δ |
| Terminals | Screw terminals |
| Operating temperature | 0° C to 45° C |
| Relative humidity | Max. 85 % |
| Material of housing | PC-ABS |
| Housing dimensions | 50x50x27 mm |
| Degree of protection | IP 20 |
| Protection class | III |
| Conformity | www.somfy.com/ce |

GB

Measurements

a = 71 mm
b = 50 mm
c = 25 mm

Cables

Min.: 4 x 0.6 mm/22 AWG
Max.: 4 x 1.5 mm²/16 AWG

Connection to animeo IB+ or Inteo IB motor controls

1 Up
2 Stop/IP (my)
3 Down

Δ Jumper on „IB“

Connection to animeo CD motor controllers

1 Up
2 Stop/my
3 Down

Δ Jumper on „my“

Connection to FTS controls

1 Up
2 Stop/my
3 Down

Δ Jumper on „INT IB“

KENMERKEN: Smooove Origin IB

| Smooove Origin IB | Ref. 1811272 |
|----------------------------|--------------------------|
| Spanningsvrij contact | 24 V DC / 50 mA Δ |
| Klemmen | Schroefaansluitingen |
| Werkings temperatuur | 0° C tot 45° C |
| Relatieve vochtigheid | Max. 85 % |
| Materiaal van de behuizing | PC/ABS Polycarbonaat |
| Afmetingen behuizing | 50x50x27 mm |
| Beschermingsklasse | IP 20 |
| Beschermingsklasse | III |
| Conformiteit | www.somfy.com/ce |

NL

Afmetingen

a = 71 mm
b = 50 mm
c = 25 mm

Bekabeling

Min.: 4 x 0.6 mm/22 AWG
Max.: 4 x 1.5 mm²/16 AWG

Verbinding met animeo IB+ of Inteo IB motor controls

1 Op
2 Stop/IP (my)
3 Neer

Δ Dip switch op „IB“

Verbinding met de animeo CD Motor Controllers

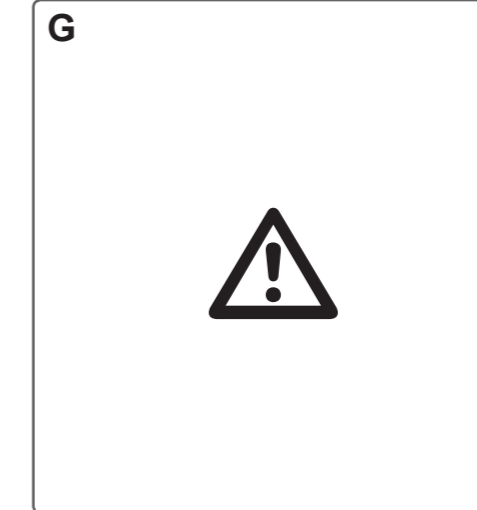
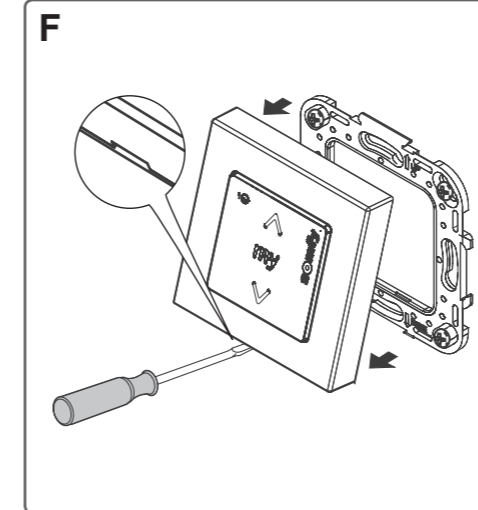
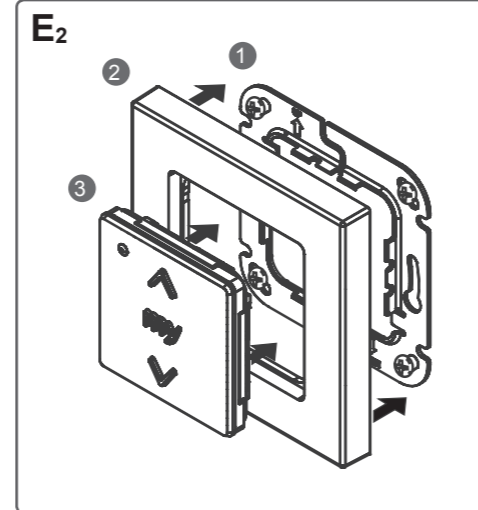
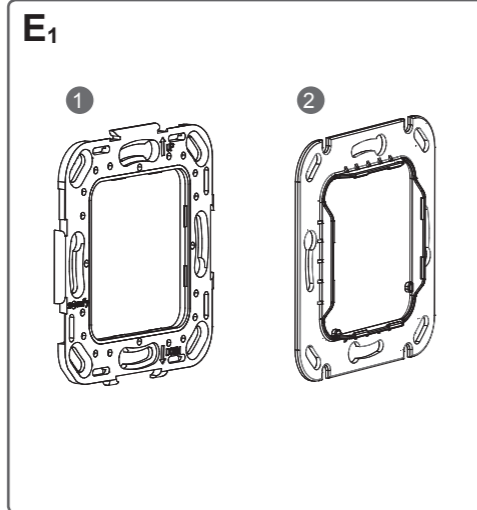
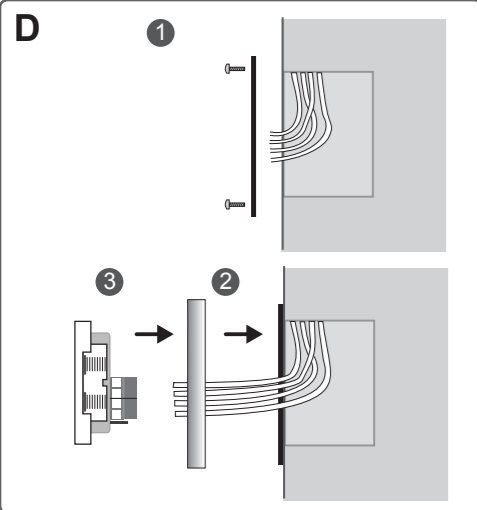
1 Op
2 Stop/IP (my)
3 Neer

Δ Dip switch op „my“

Verbinding met FTS Controls

1 Op
2 Stop/IP (my)
3 Neer

Δ Dip switch op „INT IB“



SOMFY ACTIVITÉS SA
 50 Avenue du Nouveau Monde
 74300 Cluses
 France
 T +33 (0)4 50 96 70 00
 F +33 (0)4 50 96 71 89
 www.somfy.com/projects
 www.somfy.com



DK **Installation/montering**

Egnede omgivelser: Tørt rum

- ① Fæstne montererammen i installationsdåsen
- ② Klik rammen fra kontakten på selve montererammen.
- ③ Koble kablerne i Smoove Origin IB og klik derefter trykpanelet i rammen.

Mulige rammer

- ① Somfy ramme
- ② Andre distributører

⚠ Det er muligt, at der skal monteres en ekstra adapter fra en anden leverandør inden.

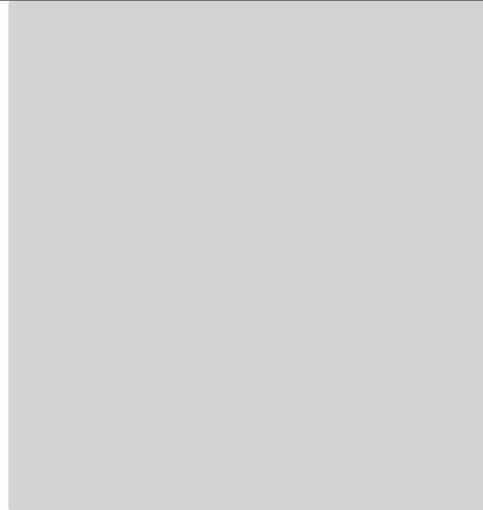
Rækkefølgen i montering

- ① Monteringsramme
- ② Ramme fra kontakten
- ③ Smoove Origin IB

Afmontering

Fjern rammen (fra kontakten) sammen med selve kontakten.

⚠ Før installationen påbegyndes, skal denne vejledning læses, og anvisningerne følges. Fejl på installationen kan medføre alvorlig personskade.



GB **Installation/Mounting**

Ambient conditions: Dry rooms

- ① Fix support frame in flush-mounted box.
- ② Clip frame of the used switch range onto the support frame.
- ③ Attach connection cables at Smoove Origin IB, position push button into the frame.

Possible frames

- ① Somfy frame
- ② Other distributors

⚠ If necessary, an adapter frame of the used frame distributor has to be mounted additionally.

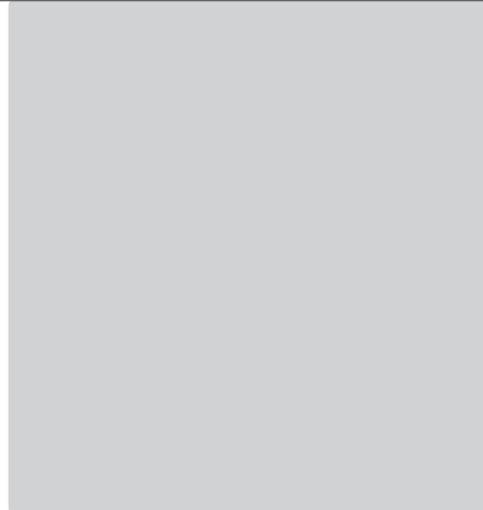
Order of mounting

- ① Support frame
- ② Frame of the used switch range
- ③ Smoove Origin IB

Dismantling

Remove the frame together with the Smoove Origin IB.

⚠ Before installation, please read and follow these instructions. SOMFY's liability for defects and damages is excluded if they were caused by disregard of the instructions.



NL **Installatie/Montage**

Milieu: Alleen toepassen in droge ruimten

- ① Monteer het support frame in de wand-contactdoos.
- ② Klik het afdekplaatje van het toegepaste schakel materiaal in het support frame.
- ③ Sluit de kabels aan op de Smoove Origin IB, en klik de drukknop in het frame.

Toe te passen afdekplaatjes

- ① Somfy afdekplaatjes
- ② Andere leveranciers van schakelmateriaal.

⚠ Indien nodig hiervoor een extra adaptor frame monteren.

Volgorde van de montage

- ① Support frame
- ② Afdekplaatje van het toegepaste schakelmateriaal
- ③ Smoove Origin IB

Demontage

Verwijder het frame samen met de Smoove Origin IB.

⚠ Lees voor het installeren eerst deze handleiding. De SOMFY garantie is niet van toepassing als de aanwijzingen in deze handleiding genegeerd worden.

