

Rainbow Blinds

TEL: 01698 351888
 enquiries@rainbow-blinds.com
 rainbow-blinds-and-interiors.co.uk

DATE MEASURED/ORDERED

02/05/24

Measured By:

GARY

SPECIAL INSTRUCTIONS

EMAIL WHEN
 ARRIVING IS
 IN

8077

P/OUST	
NET	
PRESS	
RADIO	
MAG.	
VAN	
RECC.	
SHOP	
TV	
YELL P	
OTHER	

Customer's Name YOUNGER
 Address UNIT 1, SWARD ST,
ALVA
 Post Code FK10 1ER

CURTAINS	
PLEATED	
ROLLERS	
ROMANS	
SHUTTERS	
VENETIAN	
VERTICALS	
VISION	
WOODEN	

Tel. home	
Tel. work	
mobile	07507-706690
email	stuartyounger@gmail.com

Fitters Req.	Est. Time	Special RA (separate Sheet)

alum	anthracite	black	brown	champ-gold	chrome	silver	white	recess size	motorised	wood fix	stone fix	brackets top	brackets face

Room	Width	Drop	Slat Size	Colour	Control LH or RH	Fitting Height	Price
LUB	6000	3000	AWNING	Mx3	LH	3200	4252
				ANTHRACITE 5204			
				VISUTEX 32455			
				SITUO 1			101
				STAND OFF BRACKETS 5204			300
				110mm PROTECTION			£ 4653
							£ VAT
							£ 5581
							+ FITTING
							£ 6142

SAFETY DEVICES SUPPLIED WITH GOODS MUST BE FITTED BY US AT THE TIME OF INSTALLATION. IF YOU REFUSE TO ALLOW A SAFETY DEVICE TO BE FITTED, THEN THE GOODS WILL NOT BE INSTALLED, AND UNDER THESE CIRCUMSTANCES YOU WILL STILL BE LIABLE TO PAY THE FULL PRICE UNDER YOUR CONTRACT. YOU ARE STILL BOUND TO ACCEPT DELIVERY OF THE GOODS AND TO PAY FOR BOTH THE FITTING AND INSTALLATION EVEN ALTHOUGH INSTALLATION HAS NOT BEEN CARRIED OUT.

It is our responsibility to supply you with goods that meet your consumer rights. If you have any concerns that we have not met our legal obligations please contact us. Unless stated, goods and installation service come with 12 month warranty. Full T's & C's on our website.

I have ordered the above goods and agree to pay 50% deposit and the remaining balance when confirming fitting appointment. If payment is not made in full at that time Rainbow Blinds has the right to remove the goods until full settlement is made. Title of the goods does not pass to the customer until payment has been made in full. Declaring that there shall be no liability for normal damage occasioned by such removal.

TOTAL PRICE £ 6142

DEPOSIT £ 3071

BALANCE £ 3071

PRICE ACCEPTANCE Customer's Signature

SM

ORDER BALANCE TO BE PAID FOR AT FITTING CONFIRMATION

CASH	CHEQUE	CARD	<input checked="" type="checkbox"/>
------	--------	------	-------------------------------------

BBSA
 BRITISH BLIND & SHUTTER ASSOCIATION

Please send to:

order@markilux.com

Your contact: **RAINBOWBUND RAIN 80TT YOUNGER** Reference: **55830** Customer no.: **2-5-24** Order date: **30-5-24** Requested delivery date (despatch date):

On the basis of your terms and conditions for markilux awnings we hereby place the following order:

Model	Quantity	Overall awning width M [cm]	Extension H [cm]					Frame colour	Front panel colour	1)	K
			150	200	250	300	350				
markilux MX-2			<input type="radio"/>	<input type="radio"/>	<input type="radio"/>	<input type="radio"/>	<input type="radio"/>				<input type="radio"/>
markilux MX-3	1	600	<input type="radio"/>	<input type="radio"/>	<input type="radio"/>	<input checked="" type="radio"/>	<input type="radio"/>	5204	5204		<input type="radio"/>
markilux 970			<input type="radio"/>	<input type="radio"/>	<input type="radio"/>	<input type="radio"/>	<input type="radio"/>				<input type="radio"/>

1) If left blank: supplied in the frame colour. The standard colours and additional colours can be combined as shown in the sales manual. In the case of the markilux MX-3 the front panel colour and end cap styling colour are always the same.

K Improved corrosion protection

Fabric pattern

32455

Operation side (as viewed from the outside) left right

Radio-controlled motor 868 Mhz io 433 Mhz RTS

Radio remote control 1 channel 5 channels

(io: markilux io-designcontrol / RTS: Situo RTS Pure)

radio control light sensor Sunis WireFree II io 8272086

radio control wind sensor Eolis WireFree io 8272193

radio control wind sensor Eolis io with connection for rain sensor OI 8272328

radio control light and wind sensor Soliris Sensor RTS 8272089

radio control light and wind sensor Soliris Sensor RTS 8272127

with rain sensor connection

radio control wind sensor Eolis Sensor RTS 8272090

rain sensor Ondeis 230 V 8272065

Wind sensor markilux vibrabox RAL 7043 RAL 9016

(io/RTS) (8272366 / 8272364) (8272367 / 8272365)

Hard-wired motor

Power supply cable with Hirschmann plug connector 5m 10m ²⁾

2) only available for radio-controlled motors

Manual operation

Crank handle length 110 cm 140 cm 160 cm 180 cm 220 cm

spring-assisted operation

Notes

Shadeplus markilux 970

(height 170 cm; maximum awning size 500 x 300 cm / 600 x 250 cm)

Gearbox operation Motor (io / RTS / hard-wired)

Operation side (in case of differing) left right

shadeplus fabric pattern (if it differs from the awning): plain material, transolair, vuscreen or Soltis Perform 92

Fixture

Face fixture bracket

face fixture bracket with spreader plate A

face fixture bracket with spreader plate B

face fixture using spreader plate C (only for the markilux 970)

markilux panel 250 mm continuous

top fixture brackets

eaves fixture brackets 150 mm 270 mm

additional spreader / backing plate for eaves fixture (75383.)

Supply brackets in advance

LED lighting (radio-controlled operation: on / off / dimmable)

LED Line in the cassette

LED Spots underneath the cassette

Wall sealing profile MX-3 in the same width as the awning ³⁾

Wall sealing profile MX-3 in standard width = M - 311 mm

Accessories (please refer to the sales manual / price list) Order no. Quantity

3) On-site width correction necessary in accordance with the actual bracket position!

N.B! Please check your order confirmation! We deliver as confirmed, complaints will not be accepted at a later date!

9915 / 9910

211217

Pipe Bracket

Customer Name & Tel N°

RAINBOW BUNDS / 01648 351888

Customer Ref (If known)

RAIN 8077 YOUNGER

Date of Order

02-05-24

Colour

5204

Number required

PAIR

Awning Manufacturer

MARKILUX

Model Number or Name

Mx3

Size of Awning

Length

6000

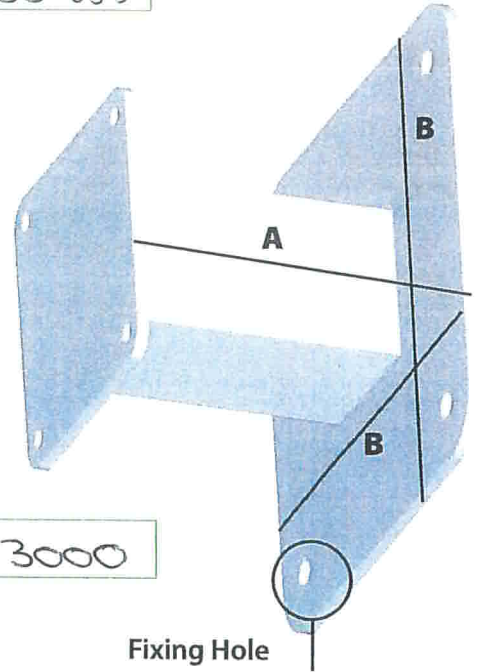
Projection

3000

Building Substrate

Brick, concrete block etc.

BRICK



Fixing Hole
Centres 200mm

Dimensions;

A: Stand Off in mm

110mm

Max Stand Off is 300mm for the base size 250mm x 250mm. Larger pipe brackets are available please contact for details if required.

B: STANDARD

250 x 250mm

Bracket Material:

Mild Steel or Stainless Steel

Mild Steel

Stainless Steel

Method of Payment;

Credit Card

Cheque with Invoice

Account Customer

Note: The prices quoted on the website are for standard size brackets in 60 x 40 section

Unless specified our default bracket manufacture is in Mild Steel

TEL: 01794 367 286



Specialists in Awnings Brackets & Fixings

Customer Address Details

Customer Name & Tel N°

RAINBOW BLINDS / 01698 351888

Customer Ref (If known)

RAIN 8077 YOUNGER

Date of Order

02-05-24

Invoice Address

61 CANYON ROAD
WISUAW
NETHERTON IND ESTATE

Post Code: ML2 0EG

Delivery Address if Different

Post Code:

Signature

Position in business

SALES ADVISOR

TEL: 01794 367 286