

## Allison Swankie

---

**From:** Allison Swankie  
**Sent:** 03 November 2020 13:29  
**To:** Jamie Mackenzie  
**Subject:** RE: Tesco Greenock - Blinds  
**Attachments:** 03406\_LL\_ROL\_FIT\_OP\_FREE\_LINK\_MAIL (1).pdf; Ex-Lite+ 2019.pdf

Hi Jamie

The cost to supply and install the below blinds will be £1,008.40 plus VAT. The blinds shall be manufactured in our systems 32 and 40 with the blind in interview room 35a being supplied as a coupled system (free link attached) with individual control operation as we cannot cut out a panel on blinds in this way. I have based the fabric on Ex-lite plus Frost (attached) as this is the fabric we have used previously on Tesco projects.

If you would like these installed for the end of the month I would need confirmation of the order ASAP so I can programme this in as our turnarounds are bit longer than usual at the moment.

I hope this helps  
Allison

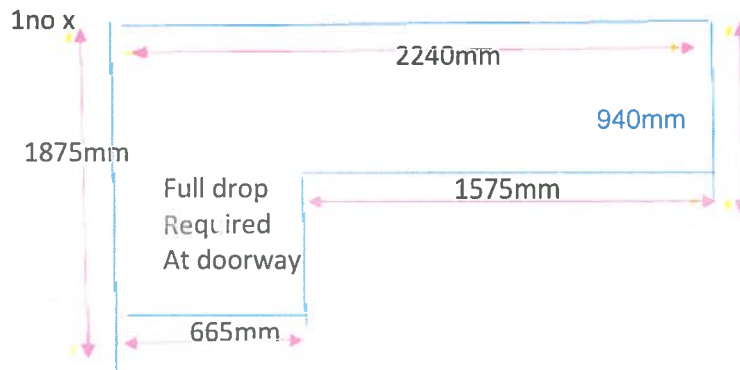
---

**From:** Jamie Mackenzie <j.mackenzie@bandk.co.uk>  
**Sent:** 03 November 2020 11:33  
**To:** Allison Swankie <allison@rainbow-blinds.com>  
**Cc:** Mark McCollin <m.mccollin@kpslimited.co.uk>  
**Subject:** Tesco Greenock - Blinds

Hi Allison,

Can you price to supply and fit Blinds below at our site at Tesco Greenock:-

1. Colleague Room- 1no x 1060mm drop x 2406mm (Left Window)  
1no x 1060mm x 2418mm (Right Window)
2. Interview Room (31a) – 1no x 1060mm drop x 1710mm
3. Interview Room – 1060mm drop x 2390mm
4. Training Room – 1no x 1060mm drop x 2650mm  
1no x 1060mm drop x 1715mm
5. Interview Room (35a) – 1x 940mm drop x 670mm



We require these to be installed by the end of the month.