

weinor Ltd 73 Cornhill EC3V 3QQ London

Posner Interiors Ltd.

**98 George Lane, South Woodford
GB-E18 1AD London**

delivery address

Posner Interiors Ltd.

98 George Lane, South Woodford
GB-E18 1AD London

24 Std. vorher telefonisch avisieren
bei Abwesenheit NICHT ablegen
Can only receive deliveries after 9:30am.

ORDER CONFIRMATION (release 3)

sales order no.: 202721643 of 11.11.2022
customer: 101299
reference: fox 25876
Your order no.:
contact person: William Abbott
E-Mail: WAbbott@weinor.de
phone number: +49-221-59709-472
representat. 654 Chris Spickett
tel (representat.): 0044 (0) 7894443907

pos	quantity	article code
-----	----------	--------------

New order confirmation:
HD receivers will be sent separately

1	1,00	3450	Kubata LED
---	------	------	------------

expected delivery date : 12.12.2022
: Please note : The 4 mm spacer for the wall bracket will be supplied always raw, not powder coated.

basic data

Product use	: private house		
width [mm]	: 5700	mm	
Projection [mm]	: 3500	mm	4.611,00
Number of panels	: one-piece		
no. of arms	: 2	Piece	
Number of shiner (total)	: 11	Piece	
With Rear wall	: no		-163,00
Base colour	: WT029/90147 Approx. RAL 9007 Metallic		

Dessin

weinor Ltd
73 Cornhill
GB-EC3V 3QQ London
weinor.com

Managing Director:
Thilo Weiermann
General partner:
Weinor Beteiligungs-GmbH
Köln

VAT no.: 335 2381 16
Company no.: 12193066
UTR no.: 33431 24084
EORI no.: GB335238116000

Domestic transfers:
Commerzbank London
Sort Code: 406201
Account Number: 307 537 10

International transfers:
Commerzbank London
IBAN: GB51 COBA 4062 0130 7537 10
Swift: MIDLGB22 a/c COBAGB2X

pos	quantity	article code
-----	----------	--------------

real-design	: WE6-374	weitex classic my collections
-------------	-----------	-------------------------------

Glue fabric?	: no, sewn fabric	
--------------	-------------------	--

colour of thread Saba	: RAL 7001 Silver grey	
-----------------------	------------------------	--

operation

type of control	: engine	
-----------------	----------	--

Side of control (seen from the front)	: left	
---------------------------------------	--------	--

With remote control BiConnect	: Yes! Please remind the separate order!	
----------------------------------	--	--

Information on BiConnect	: The BiConnect has been done in 202721643 position 3!	
--------------------------	--	--

lead cable	: 125090-0000 Kabel 3G1 L4200 OE/AMP2 V2	
------------	--	--

Hirschmann plug?	: Hirschmann plug not assembled	13,00
------------------	---------------------------------	-------

type of motor	: Motor L50-17-E12-V1+ ohne Zubehör	
---------------	-------------------------------------	--

attachment

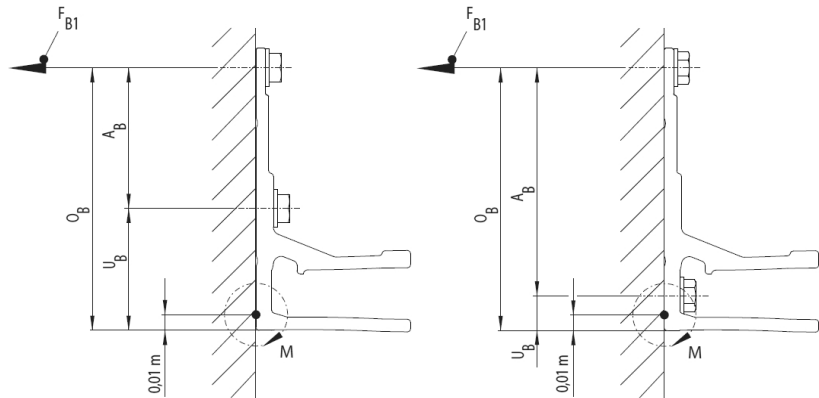
insulation [mm]	: 0	mm	
-----------------	-----	----	--

bracket type 1	: wall bracket 295 mm		
----------------	-----------------------	--	--

number of brackets 1	: 2	Piece	152,00
----------------------	-----	-------	--------

Bracket type 2	: wall bracket 85 mm compl.		
----------------	-----------------------------	--	--

No. of bracket type 2	: 1	Piece	22,00
-----------------------	-----	-------	-------



Force 1 means the pull-out force per upper fastener F(B).

FB1 Force 1 per fixing point	: 2415	N
Torque per folding arm [Nm]	: 1145	Nm

Please note that your selected awning configuration results in the following forces per upper fixing point (pull-out, lateral and/or shear forces). These must be accounted for by using suitable fixings.

rear wall punching	: without back profile punching	
Bracket position KS 1 left [mm]	: 460	mm
bracket position KS 1 right [mm]	: 460	mm
bracket position KS 2 left [mm]	: 670	mm
bracket position KS 2 right [mm]	: 670	mm
bracket position KS 3 [mm]	: 2705	mm

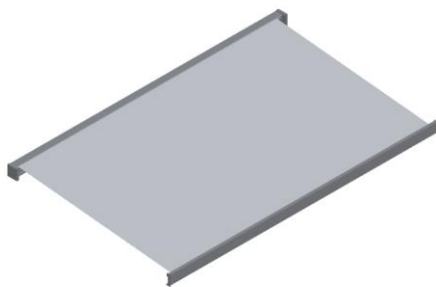
Caution: K3 measured from the drive side!

arm position A1 left	: 550	mm
arm position A1 right	: 550	mm
Cardboard packaging	: edges reinforcement	
weight	: 105	kg

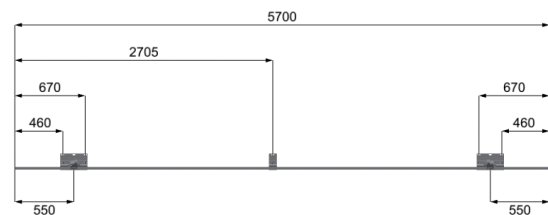
value of goods	discount amount / %	net
4.635,00	1.854,00 / 40,00	2.781,00

Position 1 - exterior view (images similar)

isometric view



Konsolenplan



2	2,00	1951	Tempura Quadra
---	------	------	----------------

Dear Customer,
due to an high demand we have to prolong the delivery time. The delivery date will be updated automatically.

expected delivery date	: 12.12.2022		
Product use	: private house		
Utilisation	: universal		
width [mm]	: 400	mm	565,00
Base colour	: WT029/90147 Approx. RAL 9007 Metallic		
handling	: Standard		
Information on BiConnect	: The BiConnect has been done in 202721643 position 3!		
access	: Hirschmann plug (standard)		
weight	: 4,4	kg	

value of goods	discount amount / %	net
1.130,00	452,00 / 40,00	678,00

weinor Ltd 73 Cornhill EC3V 3QQ London

customer: 101299 sales order 202721643

Page 5 of 6

pos	quantity	article code
-----	----------	--------------

3	1,00	2557	BiConnect		
			expected delivery date	:	12.12.2022
			deliver BiConnect separate?	:	No; supply receiver and handheld remote control with awning
			shipment info	:	The pre set receivers (except LED) and the handset will be packed with contract number 202721643 pos 1!
			Receiver for motor/light control	:	1 BiRec MLED, basic 386,00
			learned on channel 1	:	BiConnect BiEasy 5M (silver version) 121,00
			learned on channel 2	:	BiRec MLED, basic for order 202721643/1: Kubata LED engine left
			No. of BiSens Agido-3V	:	1 BiRec MLED, basic for order 202721643/1: Kubata LED 154,00

value of goods	discount amount / %	net
661,00	264,40 / 40,00	396,60

999	1,00	127887-0000	net material cost surcharge		
			price per unit	:	45,6 45,60
			Pos 1 - Kubata LED - 45,60 GBP		45,60

value of goods	discount amount / %	net
45,60	0,00 / 0,00	45,60

weinor Ltd
73 Cornhill
GB-EC3V 3QQ London
weinor.com

Managing Director:
Thilo Weiermann
General partner:
Weinor Beteiligungs-GmbH
Köln

VAT no.: 335 2381 16
Company no.: 12193066
UTR no.: 33431 24084
EORI no.: GB335238116000

Domestic transfers:
Commerzbank London
Sort Code: 406201
Account Number: 307 537 10
International transfers:
Commerzbank London
IBAN: GB51 COBA 4062 0130 7537 10
Swift: MIDLGB22 a/c COBAGB2X

weinor Ltd 73 Cornhill EC3V 3QQ London

customer: 101299 sales order 202721643

Page 6 of 6

pos	quantity	article code
-----	----------	--------------

value of goods	discount amount	net	VAT (20 %)	Total GBP
6.471,60	2.570,40	3.901,20	780,24	4.681,44

In addition, our General Terms of Delivery and Payment as per 12/2021, published under the link provided below are valid and we are happy to provide you with them free of charge upon request.

<https://www.weinor.com/terms-and-conditions/>

delivery exw Cologne
 payment: With direct debit 5% discount payment
 mode of dispatch UK export

weinor Ltd
 73 Cornhill
 GB-EC3V 3QQ London
 weinor.com

Managing Director:
 Thilo Weiermann
 General partner:
 Weinor Beteiligungs-GmbH
 Köln

VAT no.: 335 2381 16
 Company no.: 12193066
 UTR no.: 33431 24084
 EORI no.: GB335238116000

Domestic transfers:
 Commerzbank London
 Sort Code: 406201
 Account Number: 307 537 10

International transfers:
 Commerzbank London
 IBAN: GB51 COBA 4062 0130 7537 10
 Swift: MIDLGB22 a/c COBAGB2X