

weinor Ltd 73 Cornhill EC3V 3QQ London

### Posner Interiors Ltd.

**98 George Lane, South Woodford  
GB-E18 1AD London**

#### delivery address

Posner Interiors Ltd.

98 George Lane, South Woodford  
GB-E18 1AD London

24 Std. vorher telefonisch avisieren  
bei Abwesenheit NICHT ablegen  
Can only receive deliveries after 9:30am.

### ORDER CONFIRMATION (release 1)

sales order no.: 202957914 of 23.03.2026  
customer: 101299  
reference: 27417 johnstone  
Your order no.:  
contact person: William Abbott  
E-Mail: WAbbott@weinor.de  
phone number: +49-221-59709-472  
representat. 654 Chris Spickett  
tel (representat.): 0044 ( 0) 7894443907

pos	quantity	article code
-----	----------	--------------

1	1,00	1433 Topas II with hood
---	------	-------------------------

expected delivery date	: 20.04.2026		
width [mm]	: 3830	mm	
Projection [mm]	: 3000	mm	2.191,00
Base colour	: WT029/60740 Marrone 04 Metallic		
type of arm	: Arm with LongLife technology and high-tech belt		
no. of arms	: 2	Piece	
insulation [mm]	: 0	mm	
bracket type 1	: Wandkonsole 295mm; Auszugskraft: 985N		
number of brackets 1	: 2	Piece	174,00

weinor Ltd  
73 Cornhill  
GB-EC3V 3QQ London  
weinor.com

Managing Director:  
Tim Fuldner  
General partner:  
Weinor Beteiligungs-GmbH  
Köln

VAT no.: 335 2381 16  
Company no.: 12193066  
UTR no.: 33431 24084  
EORI no.: GB335238116000

**Domestic transfers:**  
Commerzbank London  
Sort Code: 406201  
Account Number: 307 537 10

**International transfers:**  
Commerzbank London  
IBAN: GB51 COBA 4062 0130 7537 10  
Swift: MIDLGB22 a/c COBAGB2X

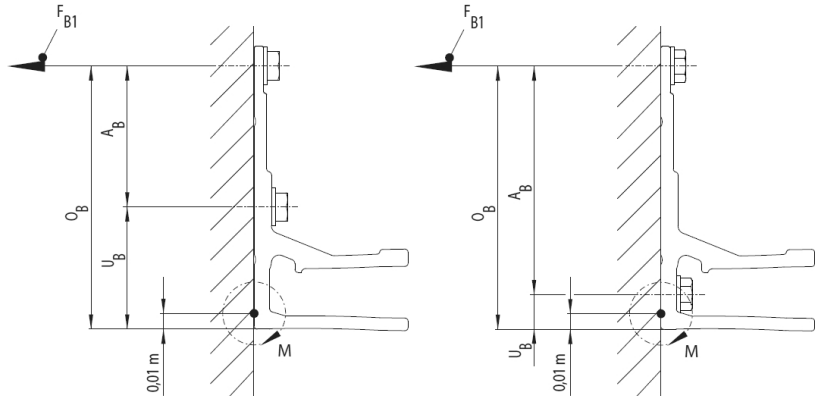


weinor Ltd 73 Cornhill EC3V 3QQ London

customer: 101299 sales order 202957914

Page 2 of 3

pos quantity article code



**Force 1 means the pull-out force per upper fastener F(B).**

FB1 Force 1 per fixing point	: 985	N
Torque per folding arm [Nm]	: 467	Nm

**Please note that your selected awning configuration results in the following forces per upper fixing point (pull-out, lateral and/or shear forces). These must be accounted for by using suitable fixings.**

Bracket position KS 1 left [mm]	: 250	mm
bracket position KS 1 right [mm]	: 250	mm
bracket position KS 2 left [mm]	: 460	mm
bracket position KS 2 right [mm]	: 460	mm
arm position A1 left	: 340	mm
arm position A1 right	: 340	mm
type of control	: Remote-controlled motor IO Homecontrol	143,00
Side of control (seen from the front)	: right	
control	: without control	
Hirschmann plug?	: Hirschmann plug not assembled	14,00
type of motor	: Motor Sfy Sunea50 io 40/17 ohne Zubehör	
Wall connection cover profile	: with wall connection	107,24
real-design	: WE6-381	sand, my collections 2
colour of thread Saba	: dunkelbeige	
Glue fabric?	: no, sewn fabric	

weinor Ltd  
73 Cornhill  
GB-EC3V 3QQ London  
weinor.com

Managing Director:  
Tim Fuldner  
General partner:  
Weinor Beteiligungs-GmbH  
Köln

VAT no.: 335 2381 16  
Company no.: 12193066  
UTR no.: 33431 24084  
EORI no.: GB335238116000

**Domestic transfers:**  
Commerzbank London  
Sort Code: 406201  
Account Number: 307 537 10  
**International transfers:**  
Commerzbank London  
IBAN: GB51 COBA 4062 0130 7537 10  
Swift: MIDLGB22 a/c COBAGB2X

weinor Ltd 73 Cornhill EC3V 3QQ London

customer: 101299 sales order 202957914

Page 3 of 3

pos	quantity	article code
-----	----------	--------------

Valance type	: Fabric valance	
valance model	: with valance (standard)	
shape	: straight	
valance pattern repeat	: standard	Pattern
depth of valance [cm]	: 20	cm
binding tape standard	: 94 mid grey	
Cardboard packaging	: edges reinforcement	
weight	: 62	kg

value of goods	discount amount / %	net
2.629,24	1.051,70 / 40,00	1.577,54

value of goods	discount amount	net	VAT (20 %)	Total GBP
<b>2.629,24</b>	<b>1.051,70</b>	<b>1.577,54</b>	<b>315,51</b>	<b>1.893,05</b>

In addition, our General Terms of Delivery and Payment as per 01/2024, published under the link provided below are valid and we are happy to provide you with them free of charge upon request.

<https://www.weinor.com/terms-and-conditions/>

delivery exw Cologne  
 payment: With direct debit 5% discount payment  
 mode of dispatch UK export

weinor Ltd  
 73 Cornhill  
 GB-EC3V 3QQ London  
 weinor.com

Managing Director:  
 Tim Fuldner  
 General partner:  
 Weinor Beteiligungs-GmbH  
 Köln

VAT no.: 335 2381 16  
 Company no.: 12193066  
 UTR no.: 33431 24084  
 EORI no.: GB335238116000

**Domestic transfers:**  
 Commerzbank London  
 Sort Code: 406201  
 Account Number: 307 537 10

**International transfers:**  
 Commerzbank London  
 IBAN: GB51 COBA 4062 0130 7537 10  
 Swift: MIDLGB22 a/c COBAGB2X