

Copy

weinor Ltd 73 Cornhill EC3V 3QQ London

Posner Interiors Ltd.

**98 George Lane, South Woodford
GB-E18 1AD London**

delivery address

Posner Interiors Ltd.

98 George Lane, South Woodford
GB-E18 1AD London

24 Std. vorher telefonisch avisieren
bei Abwesenheit NICHT ablegen
Can only receive deliveries after 9:30am.

ORDER CONFIRMATION (release 1)

sales order no.: 202955917 of 14.03.2026
customer: 101299
reference: nathan
Your order no.:
contact person: William Abbott
E-Mail: WAbbott@weinor.de
phone number: +49-221-59709-472
representat. 654 Chris Spickett
tel (representat.): 0044 (0) 7894443907

pos	quantity	article code
-----	----------	--------------

1	1,00	3450 Kubata LED
---	------	-----------------

Anticipated delivery : 06.04.2026
: Please note : The 4 mm spacer for the wall bracket will be supplied always raw, not powder coated.

basic data

width (mm)	: 7000	mm	
Projection [mm]	: 3000	mm	5.572,00
Number of units	: one-piece		
Anzahl Arme	: 2	Piece	
Number of lamps (total)	: 12	Piece	
With Back plate	: yes		
selection punching in Back plate	: above/middle		
Basic colour	: Tiger 29/80303 RAL 9005		

Dessin

real-design : WE6-374 cloud, my collections 2

weinor Ltd
73 Cornhill
GB-EC3V 3QQ London
weinor.com

Managing Director:
Tim Fuldner
General partner:
Weinor Beteiligungs-GmbH
Köln

VAT no.: 335 2381 16
Company no.: 12193066
UTR no.: 33431 24084
EORI no.: GB335238116000

Domestic transfers:
Commerzbank London
Sort Code: 406201
Account Number: 307 537 10

International transfers:
Commerzbank London
IBAN: GB51 COBA 4062 0130 7537 10
Swift: MIDLGB22 a/c COBAGB2X

Copy

weinor Ltd 73 Cornhill EC3V 3QQ London

customer: 101299 sales order 202955917

Page 2 of 4

pos	quantity	article code
-----	----------	--------------

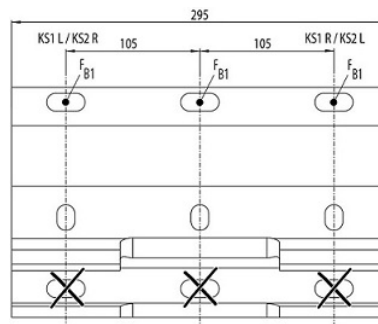
Glue fabric?	: no, sewn fabric
colour of thread Saba	: RAL 7001 Silver grey

operation

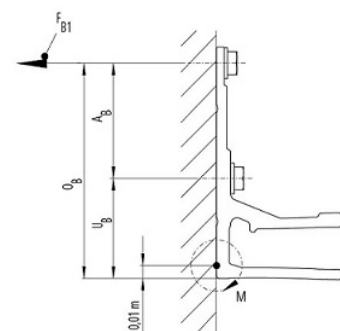
type of control	: Remote-controlled motor IO Homecontrol	143,00
Side of control (seen from the front)	: left	
Hirschmann plug?	: Hirschmann plug not assembled	14,00
control	: hand transmitter Situo 5 io II by weinor	99,00
light receiver	: with remote-controlled receiver for lighting	487,00
Lighting receiver type	: Lighting Receiver Variation io dimmable	

attachment

insulation [mm]	: 0	mm	
bracket type 1	: wall bracket 295mm		
number of brackets 1	: 2	Piece	174,00
Bracket type 2	: wall bracket 85 mm compl.		
No. of brackets 2	: 1	Piece	26,00



☉ Befestigungsmittel: 6
 ☉ Bevestigingsmiddelen: 6
 ☉ Fixing material: 6
 ☉ Éléments de fixation: 6



Force 1 means the pull-out force per upper fastener F(B).

FB1 Force 1 per fixing point	: 2251	N
M = Torque per folding arm	: 1067	Nm

weinor Ltd
 73 Cornhill
 GB-EC3V 3QQ London
 weinor.com

Managing Director:
 Tim Fuldner
 General partner:
 Weinor Beteiligungs-GmbH
 Köln

VAT no.: 335 2381 16
 Company no.: 12193066
 UTR no.: 33431 24084
 EORI no.: GB335238116000

Domestic transfers:
 Commerzbank London
 Sort Code: 406201
 Account Number: 307 537 10

International transfers:
 Commerzbank London
 IBAN: GB51 COBA 4062 0130 7537 10
 Swift: MIDLGB22 a/c COBAGB2X

Copy

weinor Ltd 73 Cornhill EC3V 3QQ London

customer: 101299 sales order 202955917

Page 3 of 4

pos	quantity	article code
-----	----------	--------------

Please note that your selected awning configuration results in the following forces per upper fixing point (pull-out, lateral and/or shear forces). These must be accounted for by using suitable fixings.

rear wall punching	: standard	
Bracket position KS 1 left [mm]	: 460	mm
bracket position KS 1 right [mm]	: 460	mm
bracket position KS 2 left [mm]	: 670	mm
bracket position KS 2 right [mm]	: 670	mm
bracket position KS 3 [mm]	: 3355	mm

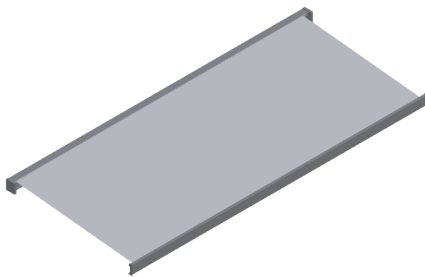
Caution: K3 measured from the drive side!

arm position A1 left	: 550	mm
arm position A1 right	: 550	mm
Cardboard container	: edges reinforcement	
weight	: 142	kg

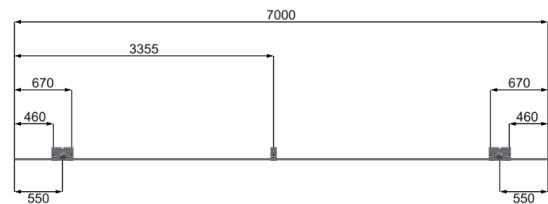
value of goods	discount amount / %	net
6.515,00	2.606,00 / 40,00	3.909,00

Position 1 - exterior view (images similar)

isometric view



bracket positions



weinor Ltd
73 Cornhill
GB-EC3V 3QQ London
weinor.com

Managing Director:
Tim Fuldner
General partner:
Weinor Beteiligungs-GmbH
Köln

VAT no.: 335 2381 16
Company no.: 12193066
UTR no.: 33431 24084
EORI no.: GB335238116000

Domestic transfers:
Commerzbank London
Sort Code: 406201
Account Number: 307 537 10

International transfers:
Commerzbank London
IBAN: GB51 COBA 4062 0130 7537 10
Swift: MIDLGB22 a/c COBAGB2X

Copy

weinor Ltd 73 Cornhill EC3V 3QQ London

customer: 101299 sales order 202955917

Page 4 of 4

pos	quantity	article code
-----	----------	--------------

2	2,00	1951	Tempura Quadra
---	------	------	----------------

Anticipated delivery	: 06.04.2026		
Utilisation	: holding 260		26,00
width (mm)	: 400	mm	654,00
Basic colour	: Tiger 29/80303 RAL 9005		
operation	: Somfy io Heating Receiver Variation, dimmable		522,00
control	: without control		
access	: Hirschmann plug (standard)		
weight	: 4,4	kg	

value of goods	discount amount / %	net
2.404,00	961,60 / 40,00	1.442,40

value of goods	discount amount	net	VAT (20 %)	Total GBP
8.919,00	3.567,60	5.351,40	1.070,28	6.421,68

In addition, our General Terms of Delivery and Payment as per 01/2024, published under the link provided below are valid and we are happy to provide you with them free of charge upon request.

<https://www.weinor.com/terms-and-conditions/>

delivery exw Cologne
 payment: With direct debit 5% discount payment
 mode of dispatch UK export

weinor Ltd
 73 Cornhill
 GB-EC3V 3QQ London
 weinor.com

Managing Director:
 Tim Fuldner
 General partner:
 Weinor Beteiligungs-GmbH
 Köln

VAT no.: 335 2381 16
 Company no.: 12193066
 UTR no.: 33431 24084
 EORI no.: GB335238116000

Domestic transfers:
 Commerzbank London
 Sort Code: 406201
 Account Number: 307 537 10
International transfers:
 Commerzbank London
 IBAN: GB51 COBA 4062 0130 7537 10
 Swift: MIDLGB22 a/c COBAGB2X