

weinor Ltd 73 Cornhill EC3V 3QQ London

### Posner Interiors Ltd.

**98 George Lane, South Woodford  
GB-E18 1AD London**

#### delivery address

Posner Interiors Ltd.

98 George Lane, South Woodford  
GB-E18 1AD London  
24 Std. vorher telefonisch avisieren  
bei Abwesenheit NICHT ablegen  
Can only receive deliveries after 9:30am.

### ORDER CONFIRMATION (release 1)


sales order no.: 202888248 of 06.03.2025  
customer: 101299  
reference: ellis sher  
Your order no.:  
contact person: William Abbott  
E-Mail: WAbbott@weinor.de  
phone number: +49-221-59709-472  
representat. 654 Chris Spickett  
tel (representat.): 0044 ( 0) 7894443907

pos	quantity	article code
-----	----------	--------------

1	1,00	3440	Kubata
---	------	------	--------

expected delivery date : 31.03.2025  
: Please note : The 4 mm spacer for the wall bracket will be supplied always raw, not powder coated.

#### basic data

Product use : private house  
width [mm] : 5820 mm  
Projection [mm] : 3900 mm 4.441,00  
Number of panels : one-piece  
no. of arms : 2 Piece  
With rear wall : yes  
selection punching in Back plate : above/middle  
Base colour : RAL 7003 Moss grey 444,10  
: 

#### Dessin

real-design : WE3-857 greenland, my collections 2

weinor Ltd  
73 Cornhill  
GB-EC3V 3QQ London  
weinor.com

Managing Director:  
Tim Földner  
General partner:  
Weinor Beteiligungs-GmbH  
Köln

VAT no.: 335 2381 16  
Company no.: 12193066  
UTR no.: 33431 24084  
EORI no.: GB335238116000

**Domestic transfers:**  
Commerzbank London  
Sort Code: 406201  
Account Number: 307 537 10  
**International transfers:**  
Commerzbank London  
IBAN: GB51 COBA 4062 0130 7537 10  
Swift: MIDLGB22 a/c COBAGB2X



weinor Ltd 73 Cornhill EC3V 3QQ London

customer: 101299 sales order 202888248

Page 2 of 6

pos quantity article code

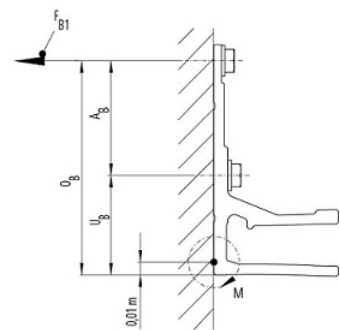
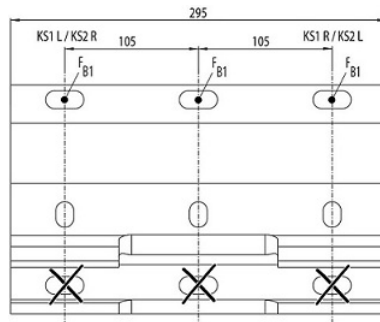
Glue fabric? : no, sewn fabric  
 colour of thread Saba : RAL 7001 Silver grey

**operation**

type of control : RTS remote control motor Somfy 192,00  
 Side of control (seen from the front) : Left  
 electrical engine connection : cable 3G1 L3000 OE/Hipro  
 control : without control  
 info about radio engine without hand transmitter : A suitable hand-held transmitter is required to operate the remote-controlled motor! The awning cannot be opened or retracted without a transmitter  
 type of motor : Motor Sfy Orea60RTS 55/17 ohne Zubehör

**attachment**

insulation [mm] : 0 mm  
 bracket type 1 : wall bracket 295mm  
 number of brackets 1 : 2 Piece 170,00  
 Bracket type 2 : wall bracket 85 mm compl.  
 No. of bracket type 2 : 1 Piece 25,00



- ⊗ Befestigungsmittel: 6
- ⊗ Bevestigingsmiddelen: 6
- ⊗ Fixing material: 6
- ⊗ Eléments de fixation: 6

**Force 1 means the pull-out force per upper fastener F(B).**

FB1 Force 1 per fixing point : 2977 N

weinor Ltd  
 73 Cornhill  
 GB-EC3V 3QQ London  
 weinor.com

Managing Director:  
 Tim Fuldner  
 General partner:  
 Weinor Beteiligungs-GmbH  
 Köln

VAT no.: 335 2381 16  
 Company no.: 12193066  
 UTR no.: 33431 24084  
 EORI no.: GB335238116000

**Domestic transfers:**  
 Commerzbank London  
 Sort Code: 406201  
 Account Number: 307 537 10

**International transfers:**  
 Commerzbank London  
 IBAN: GB51 COBA 4062 0130 7537 10  
 Swift: MIDLGB22 a/c COBAGB2X

weinor Ltd 73 Cornhill EC3V 3QQ London

customer: 101299 sales order 202888248

Page 3 of 6

pos	quantity	article code
-----	----------	--------------

Torque per folding arm [Nm]	: 1411	Nm
-----------------------------	--------	----

**Please note that your selected awning configuration results in the following forces per upper fixing point (pull-out, lateral and/or shear forces). These must be accounted for by using suitable fixings.**

rear wall punching	: standard	
--------------------	------------	--

Bracket position KS 1 left [mm]	: 460	mm
---------------------------------	-------	----

bracket position KS 1 right [mm]	: 460	mm
----------------------------------	-------	----

bracket position KS 2 left [mm]	: 670	mm
---------------------------------	-------	----

bracket position KS 2 right [mm]	: 670	mm
----------------------------------	-------	----

bracket position KS 3 [mm]	: 2765	mm
----------------------------	--------	----

**Caution: K3 measured from the drive side!**

arm position A1 left	: 550	mm
----------------------	-------	----

arm position A1 right	: 550	mm
-----------------------	-------	----

Cardboard packaging	: edges reinforcement	
---------------------	-----------------------	--

weight	: 131	kg
--------	-------	----

value of goods	discount amount / %	net
5.272,10	2.108,84 / 40,00	3.163,26

weinor Ltd  
73 Cornhill  
GB-EC3V 3QQ London  
weinor.com

Managing Director:  
Tim Fuldner  
General partner:  
Weinor Beteiligungs-GmbH  
Köln

VAT no.: 335 2381 16  
Company no.: 12193066  
UTR no.: 33431 24084  
EORI no.: GB335238116000

**Domestic transfers:**  
Commerzbank London  
Sort Code: 406201  
Account Number: 307 537 10


**International transfers:**  
Commerzbank London  
IBAN: GB51 COBA 4062 0130 7537 10  
Swift: MIDLGB22 a/c COBAGB2X

pos	quantity	article code	
-----	----------	--------------	--

2	1,00	3440	Kubata
---	------	------	--------

expected delivery date : 31.03.2025  
 : Please note : The 4 mm spacer for the wall bracket will be supplied always raw, not powder coated.

**basic data**

Product use : private house  
 width [mm] : 4310 mm  
 Projection [mm] : 3900 mm 3.953,00  
 Number of panels : one-piece  
 no. of arms : 2 Piece  
 With rear wall : yes  
 selection punching in Back plate : above/middle  
 Base colour : RAL 7003 Moss grey 395,30  
 : 

**Dessin**

real-design : WE3-857 greenland, my collections 2  
  
 Glue fabric? : no, sewn fabric  
 colour of thread Saba : RAL 7001 Silver grey

**operation**

type of control : RTS remote control motor Somfy 192,00  
 Side of control (seen from the front) : Left  
 electrical engine connection : cable 3G1 L3000 OE/Hipro  
 control : without control  
 info about radio engine without hand transmitter : A suitable hand-held transmitter is required to operate the remote-controlled motor! The awning cannot be opened or retracted without a transmitter



weinor Ltd 73 Cornhill EC3V 3QQ London

customer: 101299 sales order 20288248

Page 5 of 6

pos quantity article code

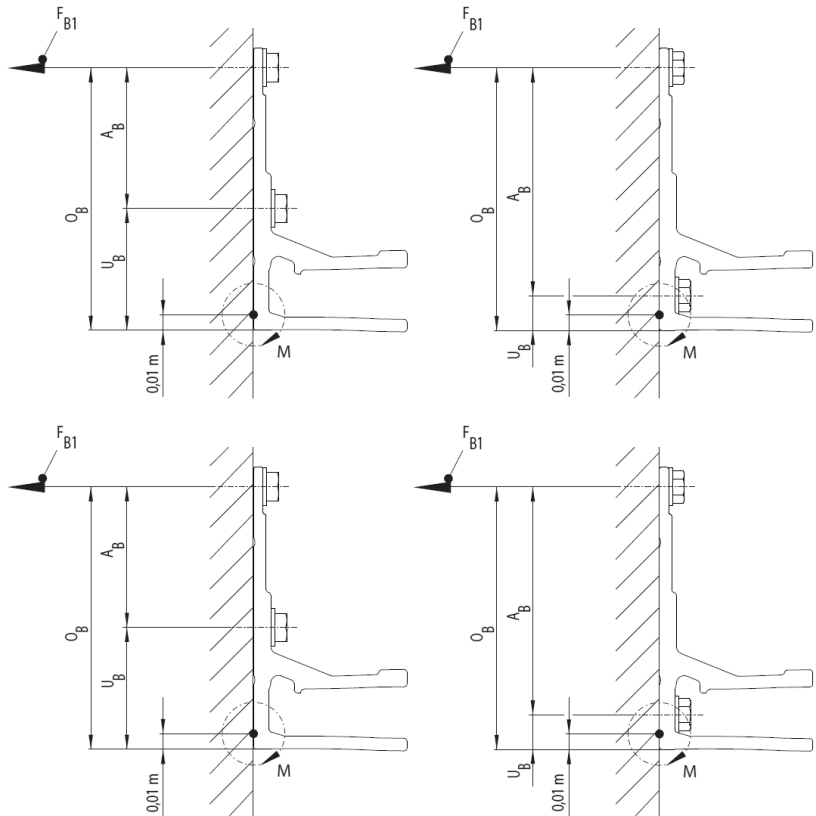
type of motor : Motor Sfy Orea60RTS 55/17 ohne Zubehör

**attachment**

insulation [mm] : 0 mm

bracket type 1 : wall fixing 260mm

number of brackets 1 : 2 Piece 102,00



**Force 1 means the pull-out force per upper fastener F(B).**

FB1 Force 1 per fixing point : 3442 N

Torque per folding arm [Nm] : 1088 Nm

**Please note that your selected awning configuration results in the following forces per upper fixing point (pull-out, lateral and/or shear forces). These must be accounted for by using suitable fixings.**

rear wall punching : standard

weinor Ltd  
73 Cornhill  
GB-EC3V 3QQ London  
weinor.com

Managing Director:  
Tim Földner  
General partner:  
Weinor Beteiligungs-GmbH  
Köln

VAT no.: 335 2381 16  
Company no.: 12193066  
UTR no.: 33431 24084  
EORI no.: GB335238116000

**Domestic transfers:**  
Commerzbank London  
Sort Code: 406201  
Account Number: 307 537 10

**International transfers:**  
Commerzbank London  
IBAN: GB51 COBA 4062 0130 7537 10  
Swift: MIDLGB22 a/c COBAGB2X

weinor Ltd 73 Cornhill EC3V 3QQ London

customer: 101299 sales order 202888248

Page 6 of 6

pos	quantity	article code
-----	----------	--------------

bracket position KS 2 left [mm]	: 330	mm
bracket position KS 2 right [mm]	: 330	mm
arm position A1 left	: 125	mm
arm position A1 right	: 125	mm
Cardboard packaging	: edges reinforcement	
weight	: 106	kg

value of goods	discount amount / %	net
4.642,30	1.856,92 / 40,00	2.785,38

value of goods	discount amount	net	VAT (20 %)	Total GBP
9.914,40	3.965,76	5.948,64	1.189,73	7.138,37

In addition, our General Terms of Delivery and Payment as per 01/2024, published under the link provided below are valid and we are happy to provide you with them free of charge upon request.

<https://www.weinor.com/terms-and-conditions/>

delivery exw Cologne  
 payment: With direct debit 5% discount payment  
 mode of dispatch UK export

weinor Ltd  
 73 Cornhill  
 GB-EC3V 3QQ London  
 weinor.com

Managing Director:  
 Tim Fuldner  
 General partner:  
 Weinor Beteiligungs-GmbH  
 Köln

VAT no.: 335 2381 16  
 Company no.: 12193066  
 UTR no.: 33431 24084  
 EORI no.: GB335238116000

**Domestic transfers:**  
 Commerzbank London  
 Sort Code: 406201  
 Account Number: 307 537 10

**International transfers:**  
 Commerzbank London  
 IBAN: GB51 COBA 4062 0130 7537 10  
 Swift: MIDLGB22 a/c COBAGB2X