

weinor Ltd 73 Cornhill EC3V 3QQ London

### Posner Interiors Ltd.

**98 George Lane, South Woodford  
GB-E18 1AD London**

#### delivery address

Posner Interiors Ltd.


98 George Lane, South Woodford  
GB-E18 1AD London  
24 Std. vorher telefonisch avisieren  
bei Abwesenheit NICHT ablegen  
Can only receive deliveries after 9:30am.

### ORDER CONFIRMATION (release 1)

sales order no.: 202780778 of 31.07.2023  
customer: 101299  
reference: 26213 hemmings  
Your order no.:  
contact person: William Abbott  
E-Mail: WAbbott@weinor.de  
phone number: +49-221-59709-472  
representat. 654 Chris Spickett  
tel (representat.): 0044 ( 0) 7894443907

pos	quantity	article code
-----	----------	--------------

1	1,00	1303 Cassita II
---	------	-----------------

Anticipated delivery	: 25.09.2023		
Product use	: private house		
width [cm]	: 450	cm	
Projection [cm]	: 250	cm	2.587,00
Basic colour	: RAL 7016 Anthracite grey		
	: 		
no. of arms	: 2	Piece	
insulation [mm]	: 0	mm	
bracket type 1	: wall fixing		
number of brackets 1	: 2	Piece	56,00

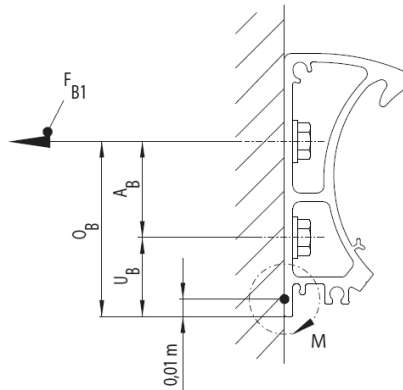
weinor Ltd  
73 Cornhill  
GB-EC3V 3QQ London  
weinor.com

Managing Director:  
Thilo Weiermann  
General partner:  
Weinor Beteiligungs-GmbH  
Köln

VAT no.: 335 2381 16  
Company no.: 12193066  
UTR no.: 33431 24084  
EORI no.: GB335238116000

**Domestic transfers:**  
Commerzbank London  
Sort Code: 406201  
Account Number: 307 537 10

**International transfers:**  
Commerzbank London  
IBAN: GB51 COBA 4062 0130 7537 10  
Swift: MIDLGB22 a/c COBAGB2X



**Force 1 means the pull-out force per upper fastener F(B).**

FB1 Force 1 per fixing point	: 2083	N
M = Torque per folding arm	: 375	Nm

**Please note that your selected awning configuration results in the following forces per upper fixing point (pull-out, lateral and/or shear forces). These must be accounted for by using suitable fixings.**

bracket position left [mm]	: 90	mm	
bracket position right [mm]	: 90	mm	
arm position left	: 58	mm	
arm position right	: 58	mm	
type of control	: Remote-controlled motor IO Homecontrol		129,00
Side of control (seen from the front)	: Left		
Hirschmann plug?	: Hirschmann plug not assembled		14,00
control	: without control		
info about radio engine without hand transmitter	: A suitable hand-held transmitter is required to operate the remote-controlled motor! The awning cannot be opened or retracted without a transmitter		
Type of engine	: Motor Sfy Sunea50 io 40/17 ohne Zubehör		
real-design	: WE6-374	cloud, my collections 2	
colour of thread Saba	: RAL 7001 Silver grey		
Cardboard container	: edges reinforcement		

weinor Ltd 73 Cornhill EC3V 3QQ London

customer: 101299 sales order 202780778

Page 3 of 4

pos	quantity	article code
-----	----------	--------------

weight	: 58	kg
--------	------	----

value of goods	discount amount / %	net
2.786,00	1.114,40 / 40,00	1.671,60

999 1,00 127887-0000 net material cost surcharge

Pos 1 - Cassita II - 36,00 GBP 36,00

value of goods	discount amount / %	net
36,00	0,00 / 0,00	36,00

value of goods	discount amount	net	VAT (20 %)	Total GBP
2.822,00	1.114,40	1.707,60	341,52	2.049,12

weinor Ltd  
73 Cornhill  
GB-EC3V 3QQ London  
weinor.com

Managing Director:  
Thilo Weiermann  
General partner:  
Weinor Beteiligungs-GmbH  
Köln

VAT no.: 335 2381 16  
Company no.: 12193066  
UTR no.: 33431 24084  
EORI no.: GB335238116000

**Domestic transfers:**  
Commerzbank London  
Sort Code: 406201  
Account Number: 307 537 10

**International transfers:**  
Commerzbank London  
IBAN: GB51 COBA 4062 0130 7537 10  
Swift: MIDLGB22 a/c COBAGB2X

Our spoken and written advice focuses on an explanation of the best possible use of our products and services. It does not liberate you from the obligation to check fitness of our products and services for your particular purpose. That includes the inspection of the general condition and especially maximum capacity load of fixing base as well as forwarding all respective information in addition to your order to weinor. That way delivery of the correct type and number of brackets is guaranteed. If our product can not be used as upon agreement due to false or lacking information we or any auxiliary person do accept contractual or non-contractual liabilities only in case of malicious intent or gross negligence.

In order to mount all brackets corresponding their fixing base you will need suitable mounting systems. For mounting on concrete C20/25 we recommend heavy duty anchor-systems from fischer (e.g. FAZ II M12/10 GS or FAZ II M12/30 GS). In case of mounting on any other base referred to in our pricelist or on frontal concrete ceiling we recommend the use of injection systems from fischer (e.g. FIS V 360 S). You can order them directly from us.

If you use a different mounting system or your own brackets, you will need a table of pull-out resistance of screw anchors in order to determine the working load.

In addition, our General Terms of Delivery and Payment as per 12/2021, published under the link provided below are valid and we are happy to provide you with them free of charge upon request.

<https://www.weinor.com/terms-and-conditions/>

delivery exw Cologne  
payment: With direct debit 5% discount payment  
mode of dispatch UK export