

weinor Ltd 73 Cornhill EC3V 3QQ London

### Posner Interiors Ltd.

**98 George Lane, South Woodford  
GB-E18 1AD London**

#### delivery address

Posner Interiors Ltd.

98 George Lane, South Woodford  
GB-E18 1AD London  
24 Std. vorher telefonisch avisieren  
bei Abwesenheit NICHT ablegen  
Can only receive deliveries after 9:30am.

### ORDER CONFIRMATION (release 1)

sales order no.: 202730732 of 16.01.2023  
customer: 101299  
reference: 25955 diebel  
Your order no.:  
contact person: William Abbott  
E-Mail: WAbbott@weinor.de  
phone number: +49-221-59709-472  
representat. 654 Chris Spickett  
tel (representat.): 0044 ( 0) 7894443907

| pos | quantity | article code |
|-----|----------|--------------|
|-----|----------|--------------|

|   |      |                 |
|---|------|-----------------|
| 1 | 1,00 | 3450 Kubata LED |
|---|------|-----------------|

expected delivery date : 13.02.2023  
: Please note : The 4 mm spacer for the wall bracket will be supplied always raw, not powder coated.

#### basic data

|                          |  |       |          |
|--------------------------|--|-------|----------|
| Product use              | : private house  |       |          |
| width [mm]               | : 4320   | mm    |          |
| Projection [mm]          | : 3500   | mm    | 3.969,00 |
| Number of panels         | : one-piece  |       |          |
| no. of arms              | : 2  | Piece |          |
| Number of shiner (total) | : 7  | Piece |          |
| With Rear wall           | : no   |       | -122,00  |
| Base colour              | : RAL 9005 deep black  |       |          |
|                          | : <span style="background-color: black; color: black;">XXXXXXXXXX</span> |       |          |

#### Dessin

weinor Ltd  
73 Cornhill  
GB-EC3V 3QQ London  
weinor.com

Managing Director:  
Thilo Weiermann  
General partner:  
Weinor Beteiligungs-GmbH  
Köln

VAT no.: 335 2381 16  
Company no.: 12193066  
UTR no.: 33431 24084  
EORI no.: GB335238116000

**Domestic transfers:**  
Commerzbank London  
Sort Code: 406201  
Account Number: 307 537 10

**International transfers:**  
Commerzbank London  
IBAN: GB51 COBA 4062 0130 7537 10  
Swift: MIDLGB22 a/c COBAGB2X



weinor Ltd 73 Cornhill EC3V 3QQ London

customer: 101299 sales order 202730732

Page 2 of 5

| pos | quantity | article code |
|-----|----------|--------------|
|-----|----------|--------------|

real-design : WE6-409 weitex classic my collections



Glue fabric? : no, sewn fabric

colour of thread Saba : RAL 7001 Silver grey

**operation**

type of control : engine

Side of control (seen from the front) : right

With remote control : Yes! Please remind the separate order!

BiConnectWith remote control  
BiConnect

Information on BiConnect : The BiConnect has been done in 202730732 position 2!

lead cable : 125090-0000 Kabel 3G1 L4200 OE/AMP2 V2

Hirschmann plug? : Hirschmann plug not assembled 13,00

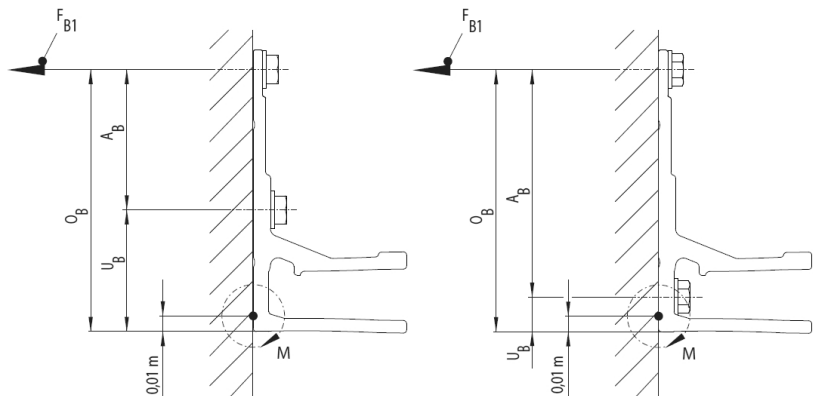
type of motor : Motor L50-17-E12-V1+ ohne Zubehör

**attachment**

insulation [mm] : 0 mm

bracket type 1 : wall bracket 295 mm

number of brackets 1 : 2 Piece 152,00



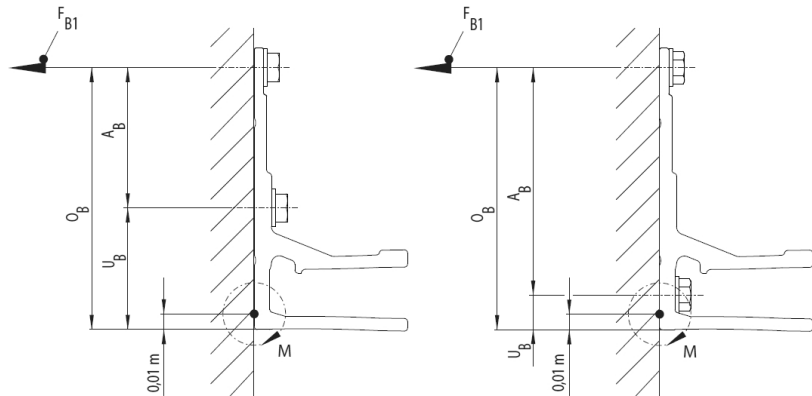
weinor Ltd  
73 Cornhill  
GB-EC3V 3QQ London  
weinor.com

Managing Director:  
Thilo Weiermann  
General partner:  
Weinor Beteiligungs-GmbH  
Köln

VAT no.: 335 2381 16  
Company no.: 12193066  
UTR no.: 33431 24084  
EORI no.: GB335238116000

**Domestic transfers:**  
Commerzbank London  
Sort Code: 406201  
Account Number: 307 537 10

**International transfers:**  
Commerzbank London  
IBAN: GB51 COBA 4062 0130 7537 10  
Swift: MIDLGB22 a/c COBAGB2X



**Force 1 means the pull-out force per upper fastener F(B).**

|                              |        |    |
|------------------------------|--------|----|
| FB1 Force 1 per fixing point | : 1706 | N  |
| Torque per folding arm [Nm]  | : 808  | Nm |

**Please note that your selected awning configuration results in the following forces per upper fixing point (pull-out, lateral and/or shear forces). These must be accounted for by using suitable fixings.**

|                                  |                                 |    |
|----------------------------------|---------------------------------|----|
| rear wall punching               | : without back profile punching |    |
| Bracket position KS 1 left [mm]  | : 135                           | mm |
| bracket position KS 1 right [mm] | : 135                           | mm |
| bracket position KS 2 left [mm]  | : 345                           | mm |
| bracket position KS 2 right [mm] | : 345                           | mm |
| arm position A1 left             | : 225                           | mm |
| arm position A1 right            | : 225                           | mm |
| Cardboard packaging              | : edges reinforcement           |    |
| weight                           | : 83                            | kg |

| value of goods | discount amount / % | net      |
|----------------|---------------------|----------|
| 4.012,00       | 1.604,80 / 40,00    | 2.407,20 |



weinor Ltd 73 Cornhill EC3V 3QQ London

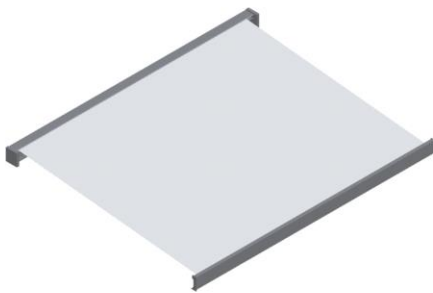
customer: 101299 sales order 202730732

Page 4 of 5

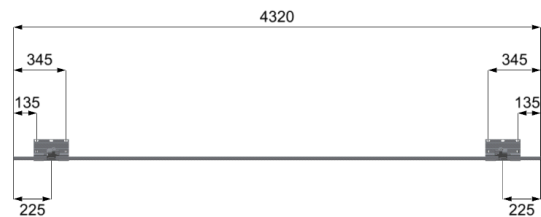
pos quantity article code

Position 1 - exterior view (images similar)

isometric view



Konsolenplan



2 1,00 2557 BiConnect

- expected delivery date : 13.02.2023
- deliver BiConnect separate? : No; supply receiver and handheld remote control with awning
- shipment info : The pre set receivers (except LED) and the handset will be packed with contract number 202730732 pos 1!  
: [REDACTED]
- Receiver for motor/light control : 1 BiRec MLED, basic 386,00  
: weinor BiConnect BiEasy 5M black 121,00
- learned on channel 1 : BiRec MLED, basic for order 202730732/1: Kubata LED engine right
- learned on channel 2 : BiRec MLED, basic for order 202730732/1: Kubata LED
- No. of BiSens Agido-3V : 1 Piece 154,00

| value of goods | discount amount / % | net    |
|----------------|---------------------|--------|
| 661,00         | 264,40 / 40,00      | 396,60 |

weinor Ltd  
73 Cornhill  
GB-EC3V 3QQ London  
weinor.com

Managing Director:  
Thilo Weiermann  
General partner:  
Weinor Beteiligungs-GmbH  
Köln

VAT no.: 335 2381 16  
Company no.: 12193066  
UTR no.: 33431 24084  
EORI no.: GB335238116000

**Domestic transfers:**  
Commerzbank London  
Sort Code: 406201  
Account Number: 307 537 10  
**International transfers:**  
Commerzbank London  
IBAN: GB51 COBA 4062 0130 7537 10  
Swift: MIDLGB22 a/c COBAGB2X

weinor Ltd 73 Cornhill EC3V 3QQ London

customer: 101299 sales order 202730732

Page 5 of 5

| pos | quantity | article code |
|-----|----------|--------------|
|-----|----------|--------------|

|     |      |   |
|-----|------|---|
| 999 | 1,00 | 127887-0000 net material cost surcharge |
|-----|------|---|

|                |         |        |
|----------------|---------|--------|
| price per unit | : 151,2 | 151,20 |
|----------------|---------|--------|

|                                 |  |        |
|---------------------------------|--|--------|
| Pos 1 - Kubata LED - 151,20 GBP |  | 151,20 |
|---------------------------------|--|--------|

| value of goods | discount amount / % | net    |
|----------------|---------------------|--------|
| 151,20         | 0,00 / 0,00         | 151,20 |

| value of goods | discount amount | net      | VAT (20 %) | Total GBP |
|----------------|-----------------|----------|------------|-----------|
| 4.824,20       | 1.869,20        | 2.955,00 | 591,00     | 3.546,00  |

In addition, our General Terms of Delivery and Payment as per 12/2021, published under the link provided below are valid and we are happy to provide you with them free of charge upon request.

<https://www.weinor.com/terms-and-conditions/>

delivery exw Cologne  
 payment: With direct debit 5% discount payment  
 mode of dispatch UK export

weinor Ltd  
 73 Cornhill  
 GB-EC3V 3QQ London  
 weinor.com

Managing Director:  
 Thilo Weiermann  
 General partner:  
 Weinor Beteiligungs-GmbH  
 Köln

VAT no.: 335 2381 16  
 Company no.: 12193066  
 UTR no.: 33431 24084  
 EORI no.: GB335238116000

**Domestic transfers:**  
 Commerzbank London  
 Sort Code: 406201  
 Account Number: 307 537 10

**International transfers:**  
 Commerzbank London  
 IBAN: GB51 COBA 4062 0130 7537 10  
 Swift: MIDLGB22 a/c COBAGB2X