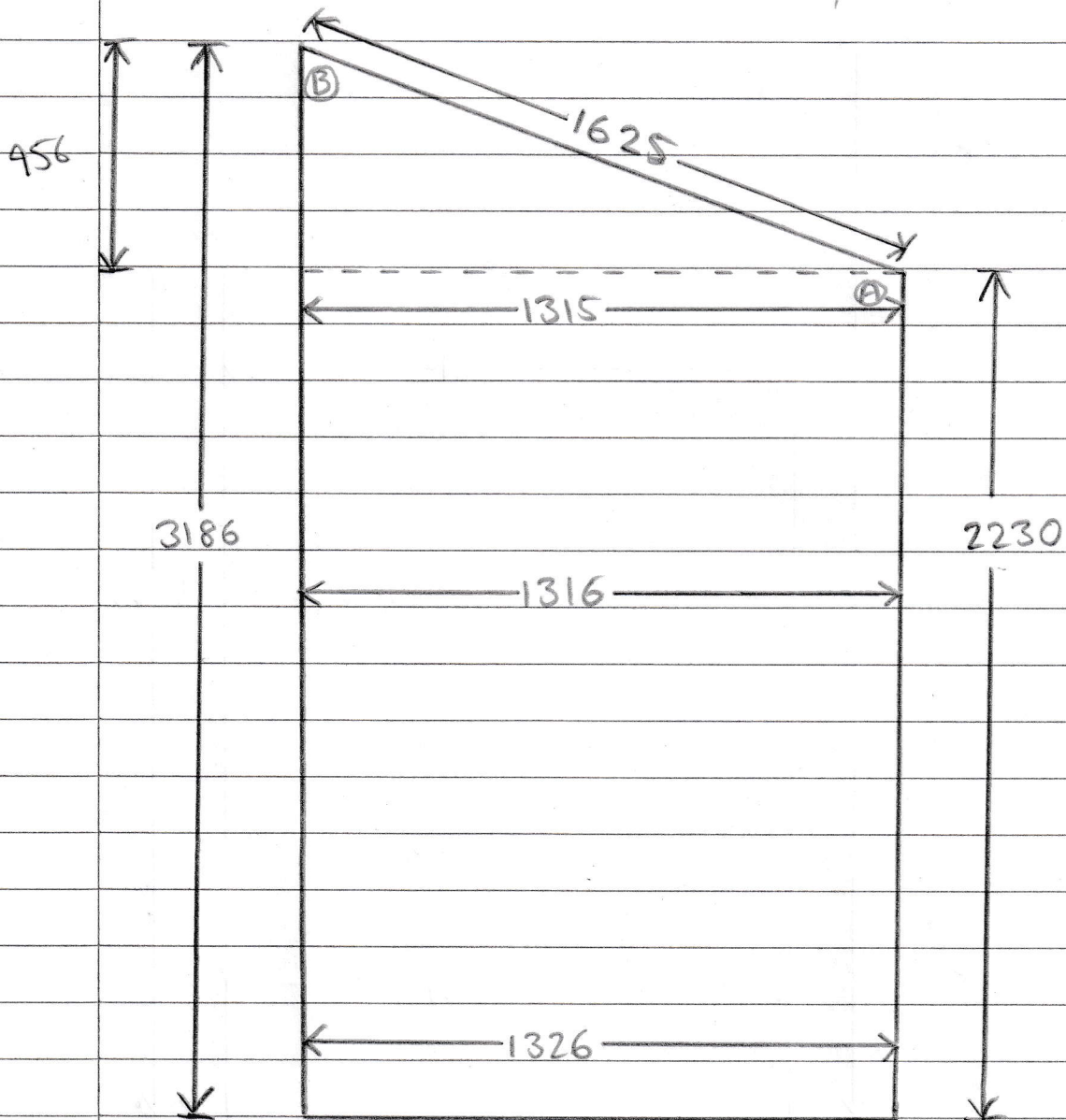
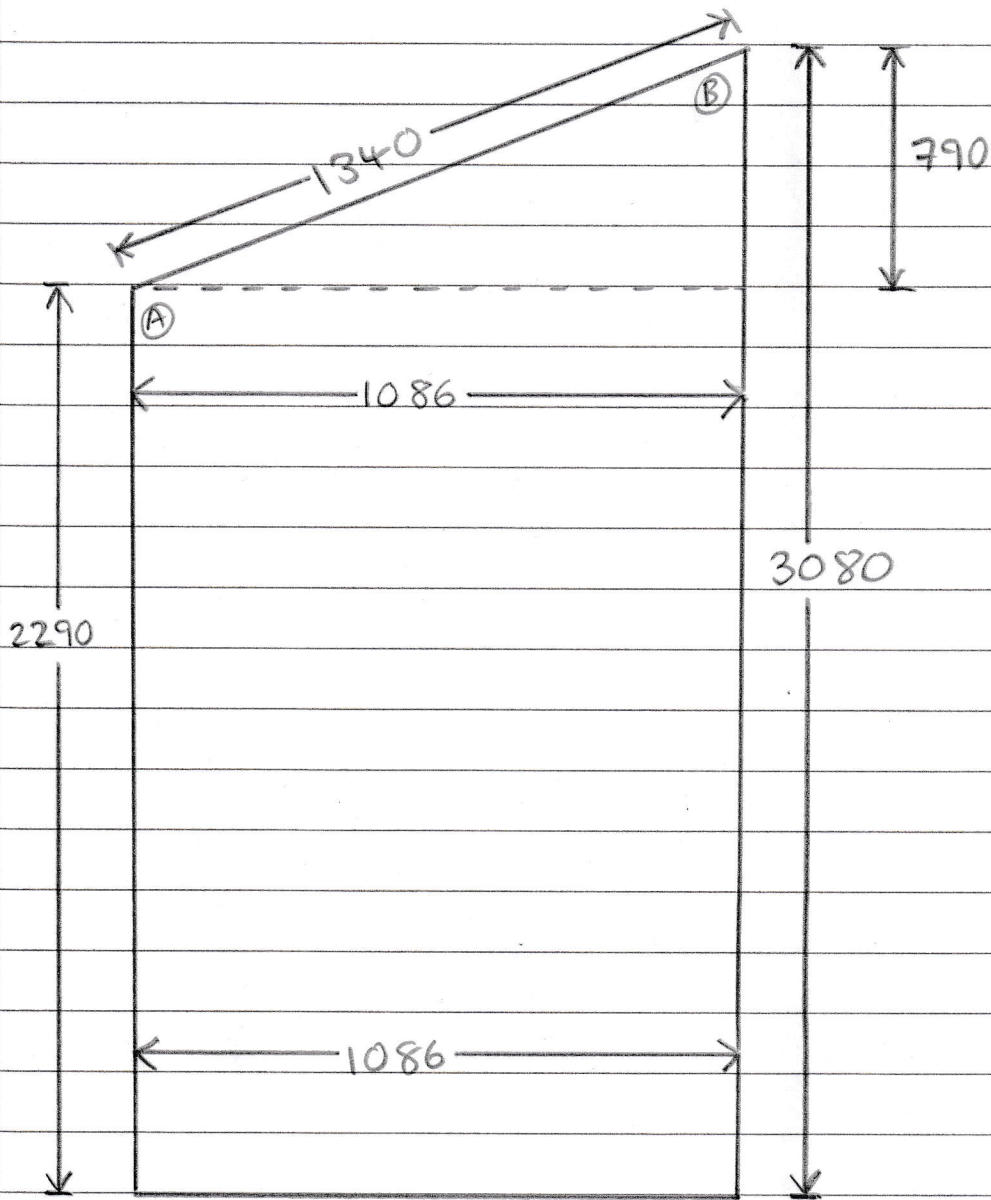


CLIENT REF - STAFFORD - R/H WINDOW.



ANGLE (A) = 126.9°
ANGLE (B) = 53.8°

CLIENT REF - STAFFORD - L/H WINDOW.



ANGLE A = 126.6°

ANGLE B = 53.4°