

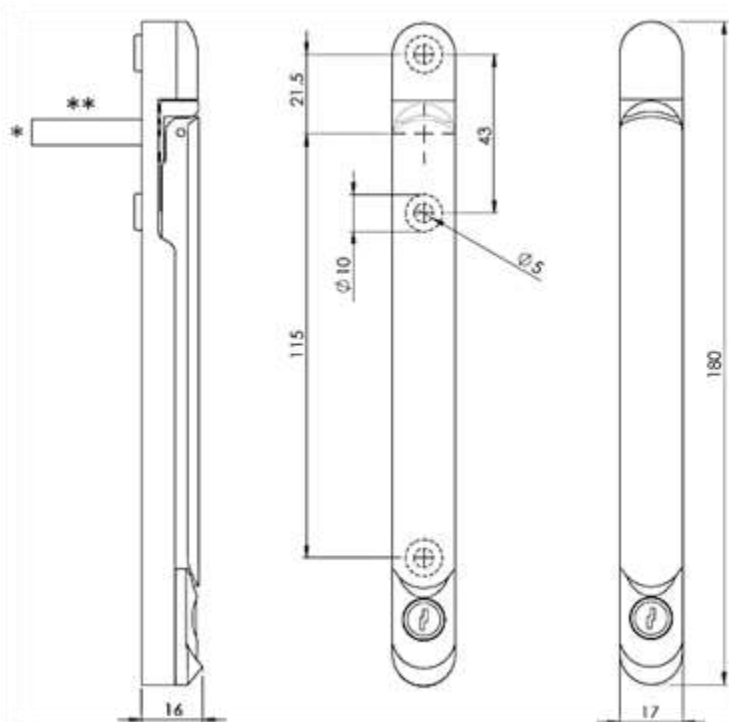


The New Release & Turn Handle.

RT Handle



- The new patented RT handle. Designed & manufactured in the UK by J Banks & Co Ltd.
- Suitable for use on Aluminium, PVCu or Timber windows.
- Unique, compact design with low stack height - 16mm.
- Incorporates a slim lock and key release cylinder.
- Fits all espagnolette and shootbolt systems with 43mm hole centers.
- Comfortable handle grip lever.
- Non-handed design.
- Available in various spindle lengths.
- Supplied with diecast colour matched screw cover.
- Supplied with M5 fixing screws.
- Available in a range of durable powder coated and plated finishes.
- Designed, tested & manufactured to meet UK standards of strength & durability.



Product number	Description	Finish
JBC975/***/9910G	RT HANDLE	WHITE
JBC975/***/9005M	RT HANDLE	BLACK
JBC975/***/7016M	RT HANDLE	ANTHRACITE
JBC975/***/C1	RT HANDLE	POLISHED CHROME
JBC975/***/AE201	RT HANDLE	SILVER

** Denotes spindle length. * Denotes spindle size A/F 7 or 8mm