

weinor Ltd 73 Cornhill EC3V 3QQ London

Posner Interiors Ltd.

**98 George Lane, South Woodford
GB-E18 1AD London**

delivery address

Posner Interiors Ltd.

98 George Lane, South Woodford
GB-E18 1AD London
24 Std. vorher telefonisch avisieren
bei Abwesenheit NICHT ablegen
Can only receive deliveries after 9:30am.

ORDER CONFIRMATION (release 1)

sales order no.: 202826669 of 06.04.2024
customer: 101299
reference: Shades
Your order no.: Black B 3348
contact person: William Abbott
E-Mail: WAbbott@weinor.de
phone number: +49-221-59709-472
representat. 654 Chris Spickett
tel (representat.): 0044 (0) 7894443907

pos	quantity	article code
-----	----------	--------------

1	1,00	1894	Opal Design II LED
---	------	------	--------------------

expected delivery date	: 29.04.2024		
Product use	: private house		
width (cm)	: 620	cm	
Projection [cm]	: 300	cm	4.574,00
Base colour	: RAL 9016 white		
	:	<input type="text"/>	
Folding arm design	: Arm with LongLife technology and high-tech belt		
Number of lamps (total)	: 11	Piece	
no. of arms	: 2	arms	
insulation [mm]	: 0	mm	
bracket type 1	: wall fixing 150 mm Opal Design II		
number of brackets 1	: 3	Piece	120,00

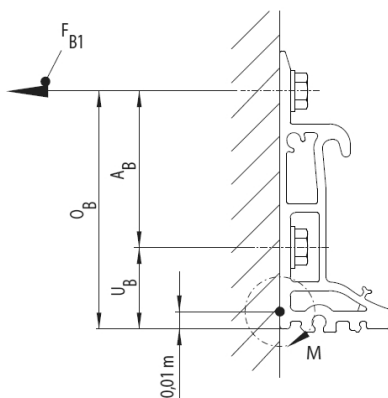
weinor Ltd
73 Cornhill
GB-EC3V 3QQ London
weinor.com

Managing Director:
Tim Fuldner
General partner:
Weinor Beteiligungs-GmbH
Köln

VAT no.: 335 2381 16
Company no.: 12193066
UTR no.: 33431 24084
EORI no.: GB335238116000

Domestic transfers:
Commerzbank London
Sort Code: 406201
Account Number: 307 537 10

International transfers:
Commerzbank London
IBAN: GB51 COBA 4062 0130 7537 10
Swift: MIDLGB22 a/c COBAGB2X



Force 1 means the pull-out force per upper fastener F(B).

FB1 Force 1 per fixing point	: 3421	N
Torque per folding arm [Nm]	: 869	Nm

Please note that your selected awning configuration results in the following forces per upper fixing point (pull-out, lateral and/or shear forces). These must be accounted for by using suitable fixings.

bracket position	: according to customer preference	
bracket position left 1st array	: 55,2	cm
bracket position centre 1st array	: 310	cm
bracket position right 1st array	: 55,2	cm
type of control	: RTS remote control motor Somfy	184,00
Side of control (seen from the front)	: right	
light receiver	: with remote-controlled receiver for lighting	285,00
Lighting receiver type	: Lighting Slim Receiver RTS 80/175-AMP	
lead cable	: 116362-0000 Kabel 3G1 L3200/1200/200 OE/AMP2/Hipro	
control	: hand transmitter Situo 5 RTS II	148,00
Hirschmann plug?	: Hirschmann plug not assembled	14,00
type of motor	: Motor Sfy Orea60RTS 55/17 1m cable +HI	
Somfy radio wind sensor RTS	: with Somfy Eolis 3D WireFree RTS; white housing	221,00
real-design	: WE3-848	ocean, my collections 2

pos	quantity	article code
-----	----------	--------------

colour of thread Saba	:	dark blue	
Glue fabric?	:	no, sewn fabric	
Cardboard packaging	:	edges reinforcement	
weight	:	102	kg

value of goods	discount amount / %	net
5.546,00	2.218,40 / 40,00	3.327,60

value of goods	discount amount	net	VAT (20 %)	Total GBP
5.546,00	2.218,40	3.327,60	665,52	3.993,12

Our spoken and written advice focuses on an explanation of the best possible use of our products and services. It does not liberate you from the obligation to check fitness of our products and services for your particular purpose. That includes the inspection of the general condition and especially maximum capacity load of fixing base as well as forwarding all respective information in addition to your order to weinor. That way delivery of the correct type and number of brackets is guaranteed. If our product can not be used as upon agreement due to false or lacking information we or any auxiliary person do accept contractual or non-contractual liabilities only in case of malicious intent or gross negligence.

In order to mount all brackets corresponding their fixing base you will need suitable mounting systems. For mounting on concrete C20/25 we recommend heavy duty anchor-systems from fischer (e.g. FAZ II M12/10 GS or FAZ II M12/30 GS). In case of mounting on any other base referred to in our pricelist or on frontal concrete ceiling we recommend the use of injection systems from fischer (e.g. FIS V 360 S). You can order them directly from us.

If you use a different mounting system or your own brackets, you will need a table of pull-out resistance of screw anchors in order to determine the working load.

In addition, our General Terms of Delivery and Payment as per 12/2021, published under the link provided below are valid and we are happy to provide you with them free of charge upon request.

<https://www.weinor.com/terms-and-conditions/>

delivery	exw Cologne
payment:	With direct debit 5% discount payment
mode of dispatch	UK export