

weinor Ltd 73 Cornhill EC3V 3QQ London

### Posner Interiors Ltd.

**98 George Lane, South Woodford  
GB-E18 1AD London**

#### delivery address

SHADES


54 LARKHALL ROAD, CHINGFORD  
GB-E4 6PD LONDON

### ORDER CONFIRMATION (release 1)

sales order no.: 202770077 of 27.06.2023  
customer: 101299  
reference: Shades  
Your order no.: Gerziu  
contact person: William Abbott  
E-Mail: WAbbott@weinor.de  
phone number: +49-221-59709-472  
representat.: 654 Chris Spickett  
tel (representat.): 0044 ( 0) 7894443907

pos	quantity	article code
-----	----------	--------------

1	1,00	1303 Cassita II
---	------	-----------------

Anticipated delivery	: 07.08.2023		
Product use	: private house		
width [cm]	: 528	cm	
Projection [cm]	: 300	cm	2.994,00
Basic colour	: RAL 9005 deep black		
	: 		
no. of arms	: 2	Piece	
insulation [mm]	: 0	mm	
bracket type 1	: wall fixing		
number of brackets 1	: 2	Piece	56,00

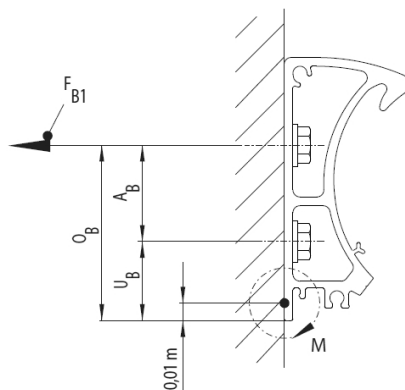
weinor Ltd  
73 Cornhill  
GB-EC3V 3QQ London  
weinor.com

Managing Director:  
Thilo Weiermann  
General partner:  
Weinor Beteiligungs-GmbH  
Köln

VAT no.: 335 2381 16  
Company no.: 12193066  
UTR no.: 33431 24084  
EORI no.: GB335238116000

**Domestic transfers:**  
Commerzbank London  
Sort Code: 406201  
Account Number: 307 537 10

**International transfers:**  
Commerzbank London  
IBAN: GB51 COBA 4062 0130 7537 10  
Swift: MIDLGB22 a/c COBAGB2X



**Force 1 means the pull-out force per upper fastener F(B).**

FB1 Force 1 per fixing point	: 3254	N
M = Torque per folding arm	: 586	Nm

**Please note that your selected awning configuration results in the following forces per upper fixing point (pull-out, lateral and/or shear forces). These must be accounted for by using suitable fixings.**

bracket position left [mm]	: 90	mm	
bracket position right [mm]	: 90	mm	
arm position left	: 58	mm	
arm position right	: 58	mm	
type of control	: RTS motor "Somfy"		179,00
Side of control (seen from the front)	: Left		
electrical engine connection	: 100703-0000 Kabel 3G1 L3000 OE/Hipro		
Hirschmann plug?	: Hirschmann plug not assembled		14,00
control	: hand transmitter "Situo 1 RTS II"		113,00
Type of engine	: Motor Sfy Orea50RTS 40/17		
real-design	: WE3-720	my collections	
colour of thread Saba	: dark grey		
Cardboard container	: edges reinforcement		
weight	: 69	kg	

weinor Ltd 73 Cornhill EC3V 3QQ London

customer: 101299 sales order 202770077

Page 3 of 4

pos	quantity	article code
-----	----------	--------------

value of goods	discount amount / %	net
3.356,00	1.342,40 / 40,00	2.013,60

999 1,00 127887-0000 net material cost surcharge

price per unit : 42,24 42,24

Pos 1 - Cassita II - 42,24 GBP 42,24

value of goods	discount amount / %	net
42,24	0,00 / 0,00	42,24

value of goods	discount amount	net	VAT (20 %)	Total GBP
3.398,24	1.342,40	2.055,84	411,17	2.467,01

weinor Ltd  
73 Cornhill  
GB-EC3V 3QQ London  
weinor.com

Managing Director:  
Thilo Weiermann  
General partner:  
Weinor Beteiligungs-GmbH  
Köln

VAT no.: 335 2381 16  
Company no.: 12193066  
UTR no.: 33431 24084  
EORI no.: GB335238116000

**Domestic transfers:**  
Commerzbank London  
Sort Code: 406201  
Account Number: 307 537 10

**International transfers:**  
Commerzbank London  
IBAN: GB51 COBA 4062 0130 7537 10  
Swift: MIDLGB22 a/c COBAGB2X

Our spoken and written advice focuses on an explanation of the best possible use of our products and services. It does not liberate you from the obligation to check fitness of our products and services for your particular purpose. That includes the inspection of the general condition and especially maximum capacity load of fixing base as well as forwarding all respective information in addition to your order to weinor. That way delivery of the correct type and number of brackets is guaranteed. If our product can not be used as upon agreement due to false or lacking information we or any auxiliary person do accept contractual or non-contractual liabilities only in case of malicious intent or gross negligence.

In order to mount all brackets corresponding their fixing base you will need suitable mounting systems. For mounting on concrete C20/25 we recommend heavy duty anchor-systems from fischer (e.g. FAZ II M12/10 GS or FAZ II M12/30 GS). In case of mounting on any other base referred to in our pricelist or on frontal concrete ceiling we recommend the use of injection systems from fischer (e.g. FIS V 360 S). You can order them directly from us.

If you use a different mounting system or your own brackets, you will need a table of pull-out resistance of screw anchors in order to determine the working load.

In addition, our General Terms of Delivery and Payment as per 12/2021, published under the link provided below are valid and we are happy to provide you with them free of charge upon request.

<https://www.weinor.com/terms-and-conditions/>

delivery exw Cologne  
 payment: With direct debit 5% discount payment  
 mode of dispatch UK export