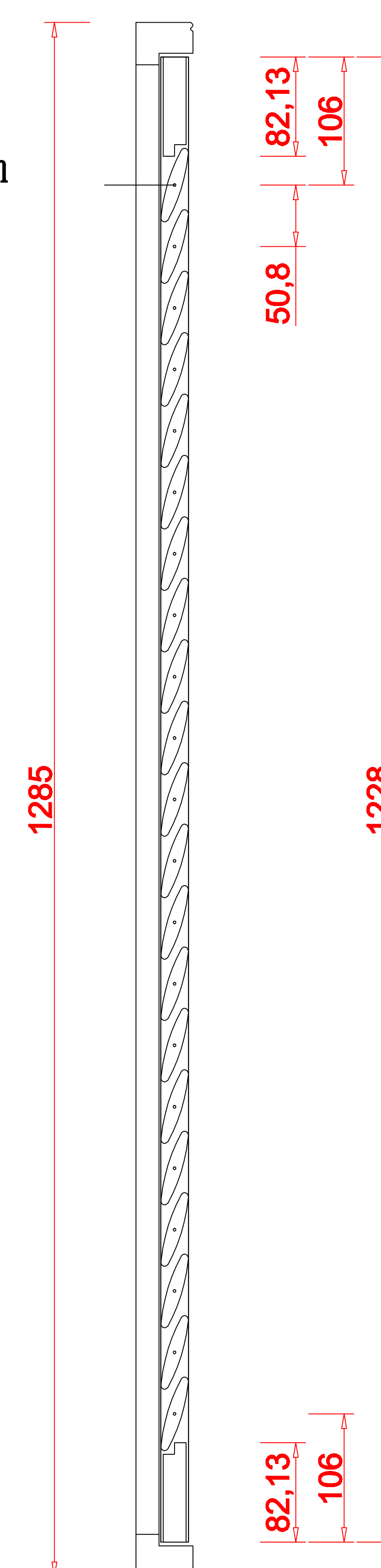


64mm



HP-4226-1-LL-DR