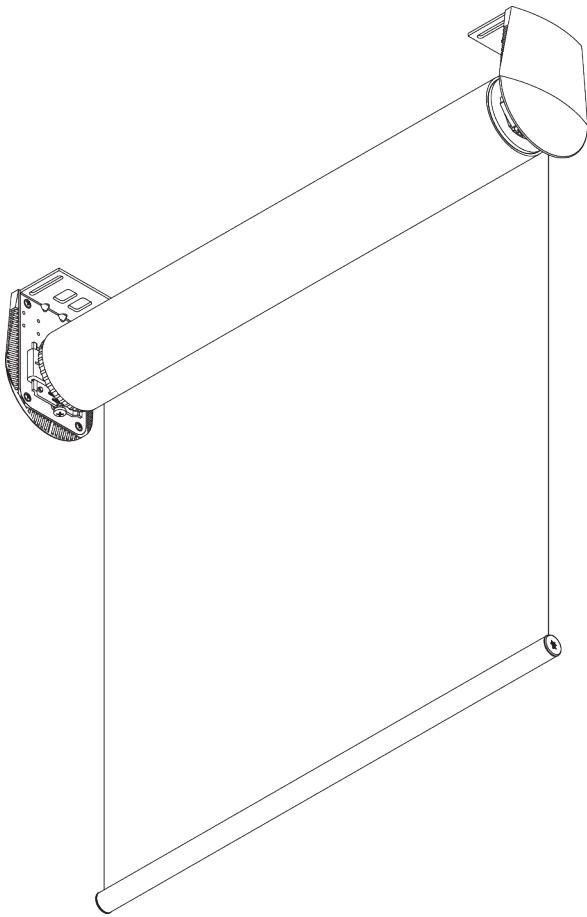
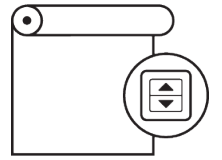


# SG 4880

---



## PRODUCT INFORMATION

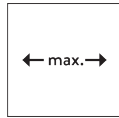
- **Operation:** motorised
- **Range:** L
- **Fitting:** ceiling, wall, recess
- **Colours:** white RAL 9016; special colours or anodised aluminum possible
- **Fabrics:** refer to Silent Gliss fabric collection

### **Features:**

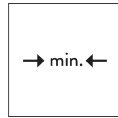
- Quiet and fast motors
- Soft stop
- Various control options
- Stainless steel brackets, adjustable for vertical alignment of fabric

# SYSTEM SPECIFICATIONS

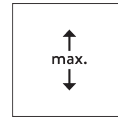
## A. SYSTEM DIMENSIONS



Tube SG 4957: 5 m  
Tube SG 4901: 4 m



72 cm\*  
\*see motor specification table



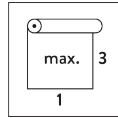
Tube SG 4957: 9 m  
Tube SG 4901: 12 m



36 m<sup>2</sup>



23 kg



Recommended width /  
height ratio  
max. 1:3

## Maximum surface area

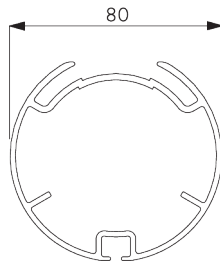
B ↓	A →								
	2 m	2.5 m	3 m	3.5 m	4 m	4.5 m	5 m		
2 m	●	●	●	●	○	○	○		
2.5 m	●	●	●	●	○	○	○		
3 m	●	●	●	●	○	○	○		
3.5 m	●	●	●	●	○	○	○		
4 m	●	●	●	●	○	○	○		
4.5 m	●	●	●	●	○	○	○		
5 m	●	●	●	●	○	○	○		
5.5 m	●	●	●	●	○	○	○		
6 m	●	●	●	●	○	○	○		
6.5 m	●	●	●	●	○	○	○		
7 m	●	●	●	●	○	○	○		
7.5 m	●	●	●	●	○	○			
8 m	●	●	●	●	○	○			
8.5 m	●	●	●	●	○				
9 m	●	●	●	●	○				
9.5 m	●	●	●	●					
10 m	●	●	●	●					
10.5 m	●	●	●						
11 m	●	●	●						
11.5 m	●	●	●	max. 36 m <sup>2</sup>					
12 m	●	●	●						

● SG 4901 (ø 80 mm)

○ SG 4957 (ø 110 mm)

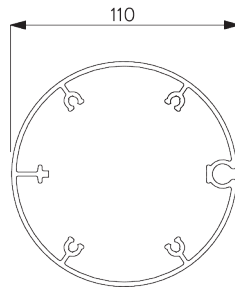
## B. PROFILE

### Profile information



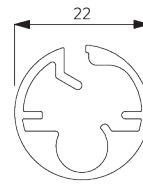
**SG 4901**

Tube ø 80 mm



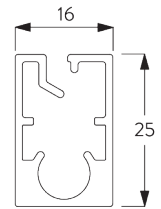
**SG 4957**

Tube ø 110 mm



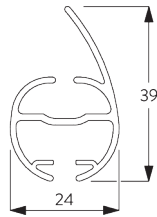
**SG 10760**

Bottom bar



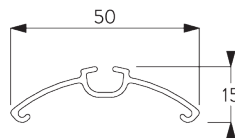
**SG 10770**

Bottom bar



**SG 4903**

Bottom bar

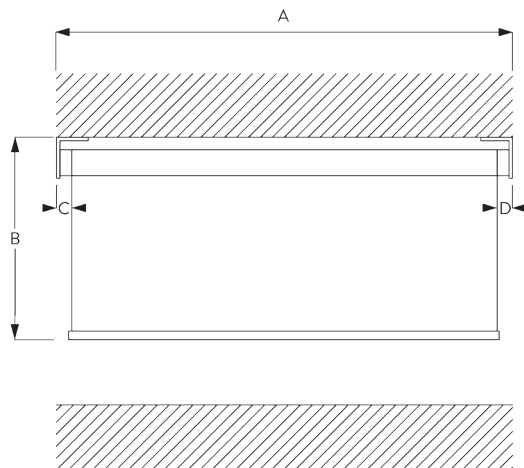


**SG 4902**

Profile

## C. HOW TO MEASURE

incl. bracket covers  
(15 mm)



A: System width  
B: System height

Tube SG 4901 (ø 80 mm):  
C: Light gap: 44 mm  
D: Light gap operation side: 50 mm

Tube SG 4957 (ø 110 mm):  
C: Light gap: 42 mm  
D: Light gap operation side: 52 mm

Note:  
Different light gaps see motor specifications.  
All measurements include 15 mm for bracket cover per side!

## D. SPECIFICATION

### TEXT

**Silent Gliss SG 4880 Electrically Operated Roller Blind with Smart by Silent Gliss enabled motor.** Roller blind system for heavy and large size blind applications up to 5m wide. Supplied made to measure and complete comprising anodised aluminium barrel SG 4901 (80mm tube) / SG 4957 (110mm tube) and stainless steel bracket combination set SG 4949. Fix to wall / ceiling / inside recess. Incorporating Silent Gliss patented Quick Twist SG 4902 profile for easy on-site adjustment of the fabric roll up (80mm tube only). Assembled with powder coated white finish aluminium bottom weight bar SG 10760. Integral 24V DC powered Smart by Silent Gliss motor left/right side. Operation only via Silent Gliss Smart Gateway and associated components in conjunction with compatible third-party control systems. All wiring to be strictly in accordance with Silent Gliss wiring diagrams. Fabric to be chosen from the Silent Gliss fabric range, Price Group 1R / 2R / 3R.

**Silent Gliss SG 4880 Electrically Operated Roller Blind System with SG Series 40 motor.** Roller blind system for heavy and large size blind applications up to 5m wide. Supplied made to measure and complete comprising anodised aluminium barrel SG 4901 (80mm tube) / SG 4957 (110mm tube) and stainless steel bracket combination set SG 4949. Fix to wall / ceiling / inside recess. Incorporating Silent Gliss patented Quick Twist SG 4902 profile for easy on-site adjustment of the fabric roll up (80mm tube only). Assembled with powder coated white finish aluminium bottom weight bar SG 10760. Integral 24V DC (transformer not included) / 100-240 V AC 50/60Hz motor SG 11248 / SG 11249. Operation by dry contact switching either from fixed switch (not supplied) or third-party control system and / or Silent Gliss SG 9940 radio control system via integrated receiver. SG 9940 control components supplied at additional cost. All wiring to be strictly in accordance with Silent Gliss wiring diagrams. Fabric to be chosen from the Silent Gliss fabric range, Price Group 1R / 2R / 3R.

**Silent Gliss SG 4880 Electrically Operated Roller Blind System with SG Series 20 motor.** Roller blind system for heavy and large size blind applications up to 5m wide. Supplied made to measure and complete comprising anodised aluminium barrel SG 4901 (80mm tube) / SG 4957 (110mm tube) and stainless steel bracket combination set SG 4949. Fix to wall / ceiling / inside recess. Incorporating Silent Gliss patented Quick Twist SG 4902 for easy on-site adjustment of the fabric roll up (80mm tube only). Assembled with powder coated white finish aluminium bottom weight bar SG 10760. Integral 230v 50 Hz powered motor SG 10326. Operation by mains switch (not supplied) / mains switching by third party control system / SG 0450 remote control system / SG 0450 remote control system Wireless controls at extra cost. All wiring to be strictly in accordance with Silent Gliss wiring diagrams. Fabric to be chosen from the Silent Gliss fabric range, Price Group 1R / 2R / 3R.

# FITTING

## A. FITTING INFORMATION

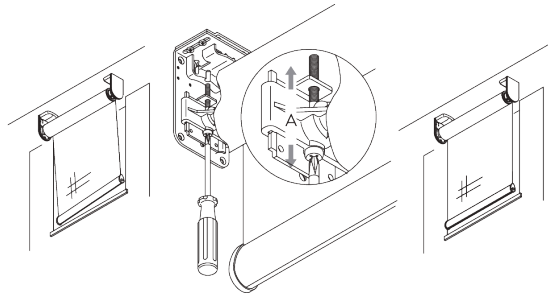
For detailed fitting information, visit the Silent Gliss website.

### Fixing points



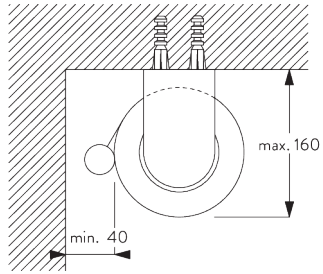
\*30 mm without cover  
\*43 mm with cover

### Adjustable brackets (for vertical adjustments)

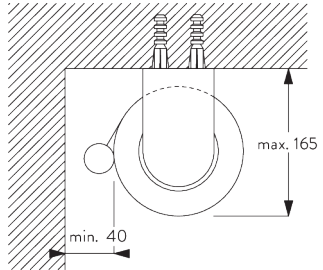


Vertical adjustment of fabric to the window frame.

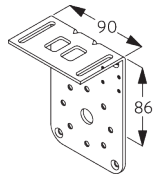
## B. CEILING FITTING



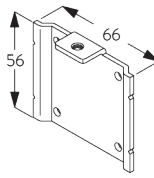
Tube SG 4901 (ø 80 mm)



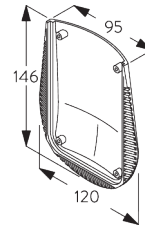
Tube SG 4957 (ø 110 mm)



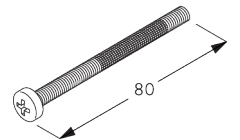
SG 4904  
Bracket (set SG 4949)



SG 4906  
Plate (set SG 4949)

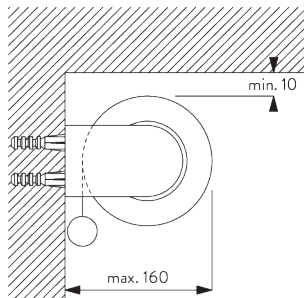


SG 4956  
Bracket cover

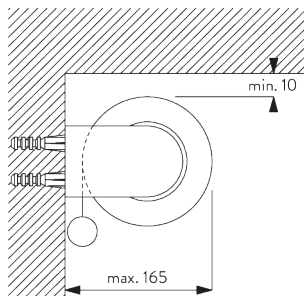


SG 4966  
Special screw (set SG 4949)

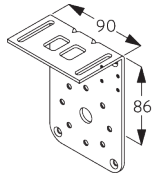
## C. WALL FITTING



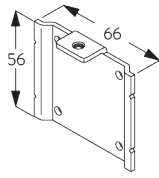
Tube SG 4901 (ø 80 mm)



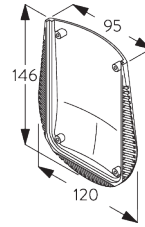
Tube SG 4957 (ø 110 mm)



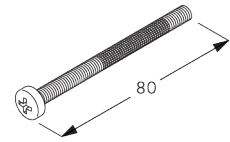
**SG 4904**  
Bracket (set SG 4949)



**SG 4906**  
Plate (set SG 4949)

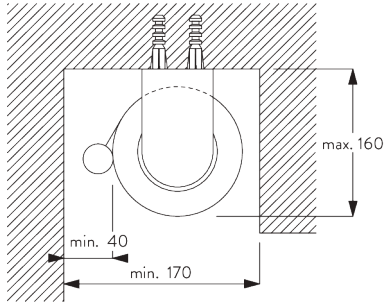


**SG 4956**  
Bracket cover

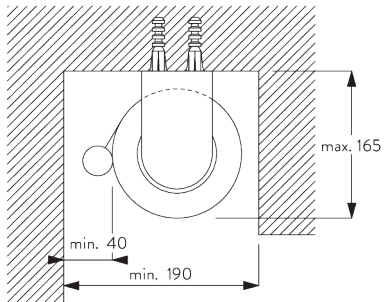


**SG 4966**  
Special screw (set SG 4949)

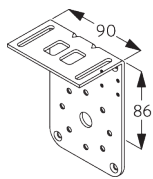
## D. RECESS FITTING



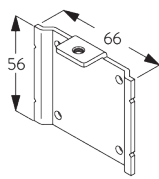
Tube SG 4901 (ø 80 mm)



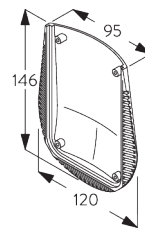
Tube SG 4957 (ø 110 mm)



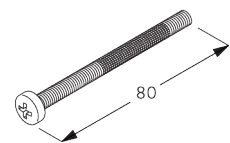
**SG 4904**  
Bracket (set SG 4949)



**SG 4906**  
Plate (set SG 4949)

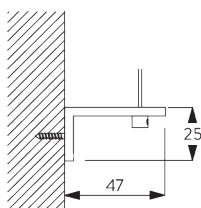


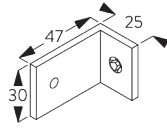
**SG 4956**  
Bracket cover



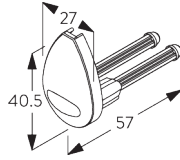
**SG 4966**  
Special screw (set SG 4949)

## E. FITTING WITH SIDE GUIDE OPTION

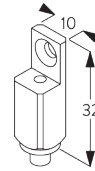




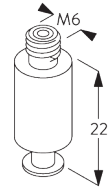
**SG 3036**  
Bracket 47 mm



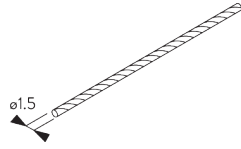
**SG 4944**  
Side guide end cover



**SG 4946**  
Side guide wire rope fastener



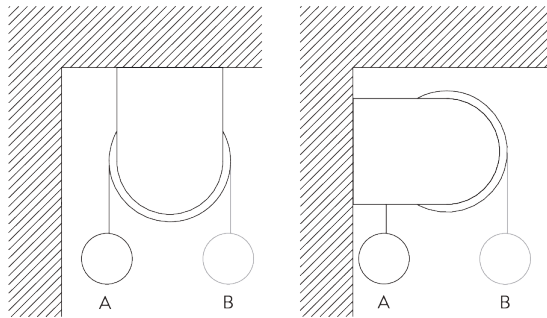
**SG 4947**  
Side guide wire rope fastener



**SG 4948**  
Side guide wire  $\varnothing$  1.5 mm

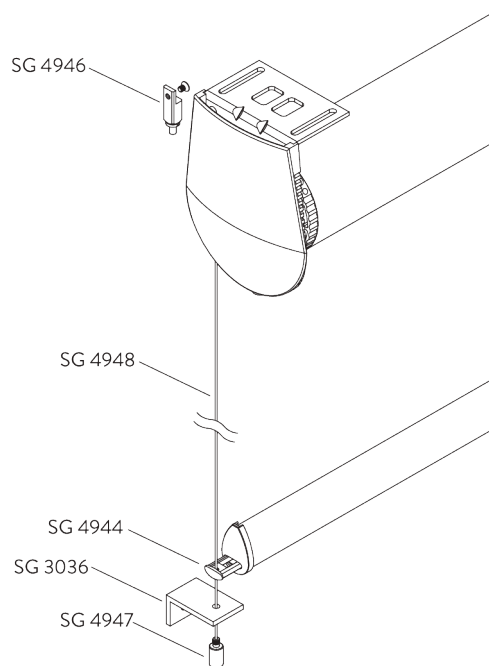
## SYSTEM OPTIONS

### A. FABRIC ROLL-OFF



A: Fabric roll-off window side (standard)  
B: Fabric roll-off room side (option)

### B. SIDE GUIDES



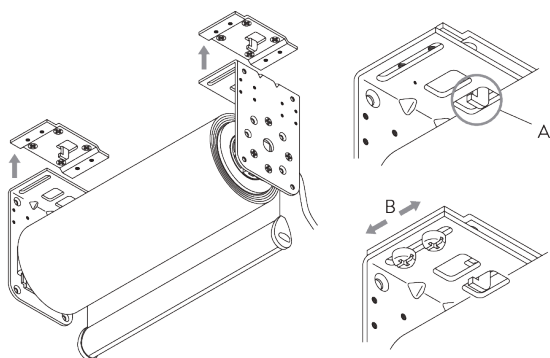
#### Additional parts:

- 2x SG 3036 Bracket 47 mm
- 2x SG 4944 Side guide end cover
- 2x SG 4946 Side guide wire rope fastener
- 2x SG 4947 Side guide wire rope fastener
- 2x SG 4948 Side guide wire  $\varnothing$  1.5 mm

#### Note:

- Light gaps increase when side-guide option is used
- Up to 15° from vertical

### C. HOOK-IN INSTALLATION PLATES



A: Hook-in plates SG 4972 take the weight of the blind  
B: Brackets sideways adjustable by up to 18 mm.

# MOTORS & CONTROLS

### A. MOTOR FEATURES

	50-Series	40-Series	20-Series
Motors	SG 11255	SG 11248 SG 11249	SG 10326 SG 10428

#### Motor Features

Soft stop	●	●	●
Electronic end-stop	●	●	●
Electronic revolution counter (unlimited revolution)	●	●	●
Two intermediate positions possible		●	
Bottom bar alignment	●	●	
Noiseless stop			●
Parallel wiring possible without additional relays		●	●
Disconnectable motor cable	●	●	●
IP class	IP 30	IP 30	IP 44

#### Control Features

Mains power control			●
Dry contact control		●	
Dry contact and / or SG Control L control		●	
SG Control L (built-in receiver)		●	
SG Control R (external receiver required)			●
Smart by Silent Gliss	●		
Suitable for most major home automation systems (with suitable interface)		●	●

### B. MOTOR SPECIFICATIONS

#### Tube SG 4901

Motors	Light gaps C / D = driving side	Min. system width	Voltage	Current	Frequency	Speed	Frequency receiver
--------	------------------------------------	----------------------	---------	---------	-----------	-------	-----------------------

#### 50-Series (Smart by Silent Gliss)

SG 11255	C: 44 mm / D: 51 mm	74 cm	24 V DC	2.95 A	n/a	20 rpm	n/a
----------	---------------------	-------	---------	--------	-----	--------	-----

#### 40-Series

SG 11248	C: 44 mm / D: 51 mm	74 cm	100-240 V AC	1.1 A	50-60 Hz	20 rpm	868 MHz
SG 11249	C: 44 mm / D: 51 mm	74 cm	24 V DC	3 A	n/a	20 rpm	868 MHz

#### 20-Series

SG 10326 (standard)	C: 44 mm / D: 50 mm	72 cm	230 V AC	0.9 A	50 Hz	23 rpm	n/a
SG 10428	C: 44 mm / D: 50 mm	72 cm	120 V AC	1.75 A	50 Hz	17 rpm	n/a

Tube SG 4957

Motors	Light gaps C / D = driving side	Min. system width	Voltage	Current	Frequency	Speed	Frequency receiver
<b>50-Series (Smart by Silent Gliss)</b>							
SG 11255	C: 42 mm / D: 54 mm	74 cm	24 V DC	2.95 A	n/a	20 rpm	n/a
<b>40-Series</b>							
SG 11248	C: 42 mm / D: 54 mm	74 cm	100-240 V AC	1.1 A	50-60 Hz	20 rpm	868 MHz
SG 11249	C: 42 mm / D: 54 mm	74 cm	24 V DC	3 A	n/a	20 rpm	868 MHz
<b>20-Series</b>							
SG 10326 (standard)	C: 42 mm / D: 52 mm	73 cm	230 V AC	0.9 A	50 Hz	23 rpm	n/a
SG 10428	C: 42 mm / D: 52 mm	73 cm	120 V AC	1.75 A	50 Hz	17 rpm	n/a

**C. OPERATING  
METHODS**

See catalogue "controls" for details.

**Wall Switch**



System can be operated by fixed wall switch.

**SG Control L**



Various radio hand-held and wall transmitters available.



Silent Gliss Move App.

**SG Control R**



Various radio hand-held and wall transmitters available.  
An external receiver is required.

**Smart by Silent Gliss**



Open designed two-way communication system which allows to flawlessly integrate products with most major home control systems.


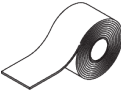


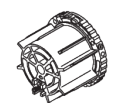
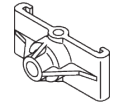

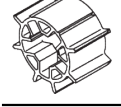
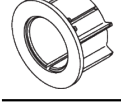
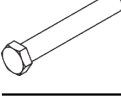
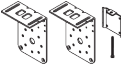

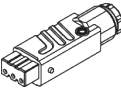
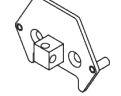
**D. WIRING  
DIAGRAMS**

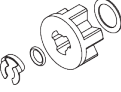

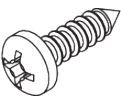
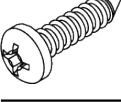
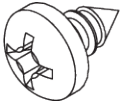
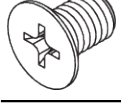




Refer to Silent Gliss website.

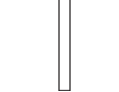
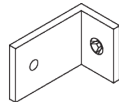
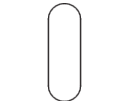
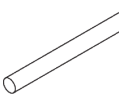
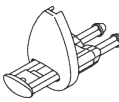
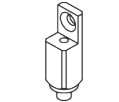


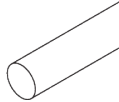
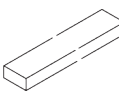

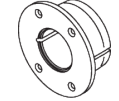
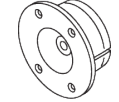
# PARTS


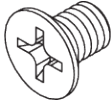
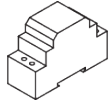
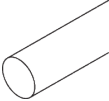
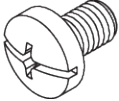
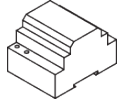
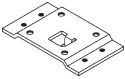
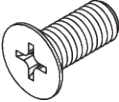
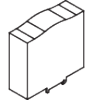
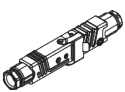
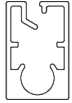
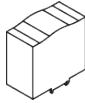
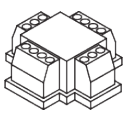

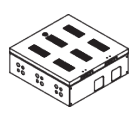
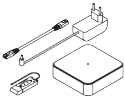
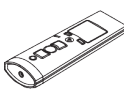
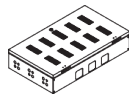
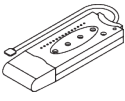

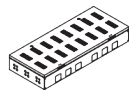
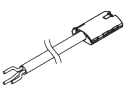


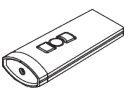
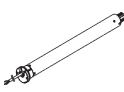
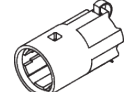




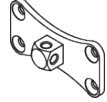
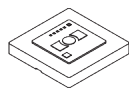

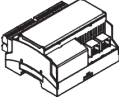


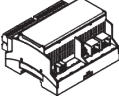


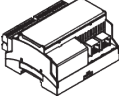

## A. STANDARD PARTS

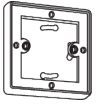
	<b>SG 4223</b> PVC strip 14 mm
	<b>SG 4226</b> Double tape 30 mm
	<b>SG 4901</b> Tube ø 80 mm
	<b>SG 4902</b> Profile
	<b>SG 4914</b> Tube adapter
	<b>SG 4915</b> Support
	<b>SG 4926</b> Motor flange
	<b>SG 4927</b> Motor drive
	<b>SG 4928</b> Tube adapter
	<b>SG 4939</b> Shaft
	<b>SG 4949</b> Bracket set
	<b>SG 4956</b> Bracket cover
	<b>SG 9917</b> Hirschmann portable socket-outlet STAK 3 N
	<b>SG 10285</b> Motor plate M

	<b>SG 10292</b> Motor drive set
	<b>SG 10326</b> Tubular motor 230V AC, 20 Series 15/23
	<b>SG 10503</b> Pan head screw 3.5x13
	<b>SG 10506</b> Pan head screw 3.9x16
	<b>SG 10507</b> Pan head screw 3.5x6.5
	<b>SG 10509</b> Countersunk head screw M5x8
	<b>SG 10760</b> Bottom bar
	<b>SG 10761</b> End cover

## B. OPTIONAL PARTS

	<b>SG 2006</b> Bottom bar 28x3 mm
	<b>SG 3036</b> Bracket 47 mm
	<b>SG 4752</b> Bottom bar plastic
	<b>SG 4903</b> Bottom bar
	<b>SG 4943</b> Rod ø 4 mm
	<b>SG 4944</b> Side guide end cover
	<b>SG 4946</b> Side guide wire rope fastener
	<b>SG 4947</b> Side guide wire rope fastener
	<b>SG 4948</b> Side guide wire ø 1.5 mm
	<b>SG 4951</b> Bottom weight ø 8 mm
	<b>SG 4952</b> Bar weight
	<b>SG 4957</b> Tube ø 110 mm
	<b>SG 4959</b> Tube adapter
	<b>SG 4961</b> Tube adapter

	<b>SG 4962</b> Motor drive		<b>SG 10502</b> Countersunk head screw M4x6		<b>SG 11263</b> Power supply 24V DC, 2 Ampere DIN Rail
	<b>SG 4963</b> Rod ø 6 mm		<b>SG 10504</b> Pan head screw Freedrive M5x8		<b>SG 11264</b> Power supply 24V DC, 3.8 Ampere DIN Rail
	<b>SG 4972</b> Installation plate		<b>SG 10508</b> Countersunk head screw M5x12		<b>SG 11265</b> Power supply 24V DC, 5 Ampere DIN Rail
	<b>SG 9916</b> Hirschmann plug set		<b>SG 10770</b> Bottom bar		<b>SG 11266</b> Power supply 24V DC, 10 Ampere DIN Rail
	<b>SG 9959</b> Central control unit relay		<b>SG 10771</b> End cover		<b>SG 11281</b> Cabinet for 8 systems
	<b>SG 9960</b> Move server set		<b>SG 10804</b> Radio hand held 15+5+1 channel		<b>SG 11282</b> Cabinet for 24 systems
	<b>SG 9961</b> Move transmitter		<b>SG 11178</b> End cover		<b>SG 11283</b> Cabinet for 56 systems
	<b>SG 10293</b> Cable 230V AC, 2/3/5/10 m		<b>SG 11248</b> Tubular motor 100-240V AC, 40- Series 10/20, radio receiver		<b>SG 11319</b> Plug 4-pin, MC 1.5/4-ST-3.81
	<b>SG 10300</b> Radio hand held 1 channel		<b>SG 11249</b> Tubular motor 24V DC, 40-Series 10/20		<b>SG 11321</b> Motor drive
	<b>SG 10302</b> Radio hand held 5+1 channel		<b>SG 11255</b> Tubular motor 24V DC, 50-Series 10/20		<b>SG 11480</b> Radio wall transmitter 1 channel
	<b>SG 10303</b> Radio hand held 10+2+1 channel		<b>SG 11259</b> Motor plate M		<b>SG 11490</b> Radio wall transmitter 5+1 channel
	<b>SG 10327</b> Tubular motor 230V AC, 20 Series 15/23, radio receiver		<b>SG 11260</b> Smart controller gateway unit		<b>SG 20336</b> Hand held transmitter 8 channel
	<b>SG 10428</b> Tubular motor 120V AC, 20 Series 16/17, UL		<b>SG 11261</b> Smart controller gateway unit KNX		<b>SG 20913</b> Wall switch single channel
	<b>SG 10429</b> Tubular motor 120V AC, 20 Series 16/17, UL		<b>SG 11262</b> Smart controller expansion unit		<b>SG 20914</b> Wall switch 8 channel

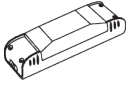


---

**SG 20917**

*Pattress box*

---



---

**SG 20919**

*Control module motor type R*

---