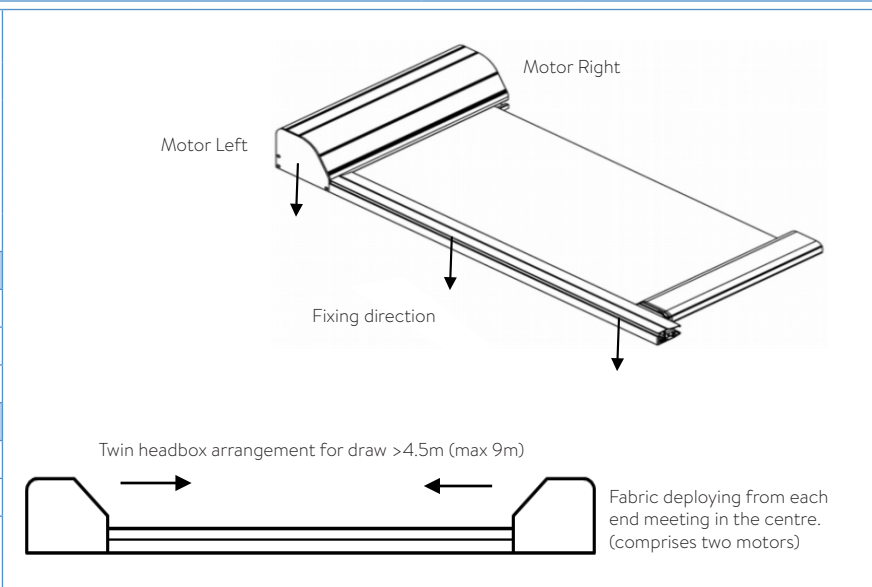


# TESS™ 660 FACE FIX ORDER FORM

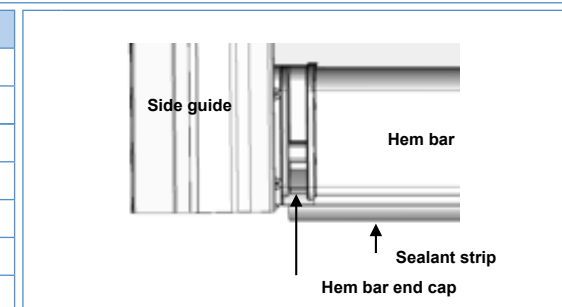
YOUR DETAILS				DELIVERY DETAILS (Standard lead time 4-6 weeks)			
Company		Contact		Required delivery date			
Email		Phone		Delivery address			
Address		Order no.		Delivery options			
		Quote no.			Customer to collect (ExWorks)	GD to deliver (DAP - surcharge)	
		Project					

SYSTEM DIMENSIONS (REFER TO DATASHEET)				MOTOR SIDE		<b>PLEASE BE ADVISED</b> We recommend the use of radio motors (RTS) with twin head box configurations and overhead installations to avoid the need for relays and to aid with commissioning.	
POS	QTY	WIDTH (SW)	DRAW (SD)	LEFT	RIGHT		
1							
2							
3							
4							
5							
ORIENTATION							
6							Vertical
7							Horizontal*
8							*Width limited to 2500 mm on TESS™ 660L
LOCATION							
10						Internal	
11						External**	
12						** Running direction only vertically or sloping from top to bottom: 15° minimum angle	
TOTAL							



POWDER COATING OPTIONS				
REF				
	RAL 9016 30% (traffic white matt = standard)			
3075	Other RAL, specify below (surcharge)			
3067	RAL	GLOSS LEVEL		
		30% matt	70% satin	90% gloss

MOTOR MAKE TYPE			
All radio transmitters below are battery powered			
		Somfy Hard Wired	Somfy Radio
REF	QTY		
7349		1 channel (hand held)	
7350		4+1 channel (hand held)	
7351		16 channel (hand held)	
7352		1 channel (wall mounted)	



MOTOR VOLTAGE OPTIONS	
REF	
	Standard motor voltage: 230V AC/50 Hz
	Special motor voltage: 110V AC/60 Hz
3079	Special motor voltage: 24V DC (24V DC motors incur a surcharge)

ACCESSORIES	
REF	
3522	Hirschmann plug
7774	Control unit TTU (to be able to set limits of Nice hardwired motor)

Black sealant strip
White sealant strip
Black hem bar end cap
White hem bar end cap

FORM COMPLETED BY .....  
 PRINT NAME SIGNATURE REGISTERED INSTALLER DATE

# TESS™ 660 FACE FIX FABRIC ORDER FORM

FABRIC ALWAYS SUPPLIED AND FITTED BY GUTHRIE DOUGLAS	
Fabric type	
Colour code*	
*Please refer to the Guthrie Douglas approved fabrics colour chart <a href="http://www.guthriedouglas.com/fabric-choices">www.guthriedouglas.com/fabric-choices</a>	

PLEASE SPECIFY WHERE YOU WOULD LIKE THE FABRIC FRONT AND BACK (SEE GD WEBSITE FOR MORE DETAILS)	
Fabric front	<input type="checkbox"/> Flat side (FS)
	or
	<input type="checkbox"/> Head box side (HBS)
PLEASE SPECIFY WHERE YOU WOULD LIKE THE POCKET WELDS TO BE (WELDS WILL BE VISIBLE)	
Pocket weld	<input type="checkbox"/> Flat side (FS)
	or
	<input type="checkbox"/> Head box side (HBS)
<b>PLEASE NOTE</b>	
<ul style="list-style-type: none"> <li>• Once ordered the fabric cannot be turned over.</li> <li>• On blackout fabric, slight wrinkling has to be expected along the side guides.</li> <li>• Depending on the system width mid welds may be present parallel to the head box.</li> <li>• The position of the welds or their orientation cannot be guaranteed.</li> </ul>	

