

14

NOTES:

Shutter Color:Timeless White(覆盖色)

Hinges Color:White(白色)

Qty(数量): 1

Material(材质): Palowania(桐木)

Configuration(窗扇结构): L-DR,IN, 4Side, 41.3mm Astrigal, Deep Plain L Frame 60mm

Tilt rod type(拉杆类型): Easy tilt rod(齿条拉杆)

Louvre Quantity(叶片数量): 28

Louvre Size(叶片尺寸): 360.2mm

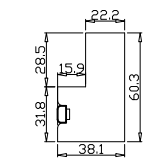
Rail Size(上下板尺寸): 412.2mm

Order No(订单号):BAI G361523 ANDERSON

Item(序号): 1

Room(房间号): KITCHEN

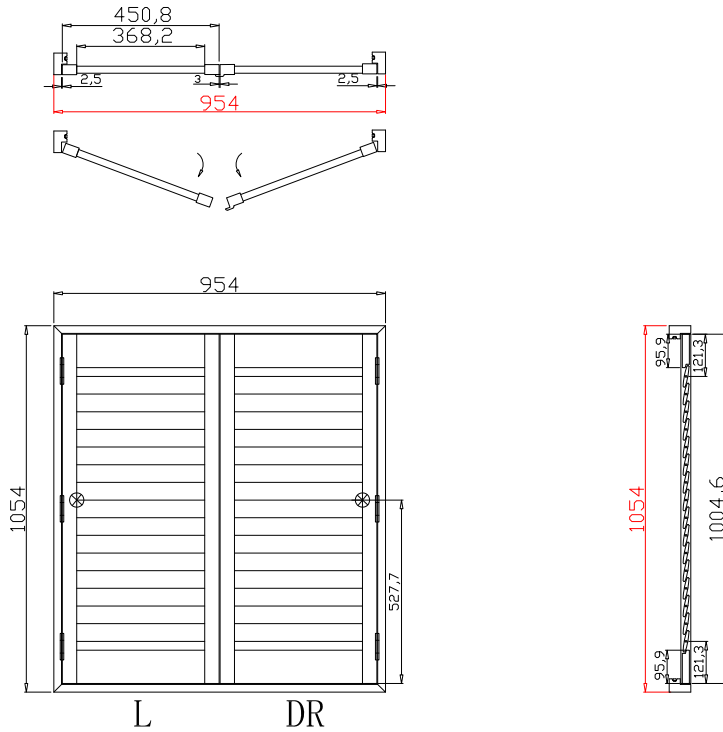
Louvre Size(叶片类型): 64mm



Deep Plain L Frame 60mm



Batten: 25*5*650 (mm) *4
Timeless White(覆盖色)



16

NOTES:

Shutter Color: Timeless White(覆盖色)

Hinges Color: White(白色)

Qty(数量): 1

Material(材质): Palowania(桐木)

Configuration(窗扇结构): L-DR,IN, 4Side, 41.3mm Astrigal, Deep Plain L Frame 60mm

Tilt rod type(拉杆类型): Easy tilt rod(齿条拉杆)

Louvre Quantity(叶片数量): 32

Louvre Size(叶片尺寸): 366.2mm

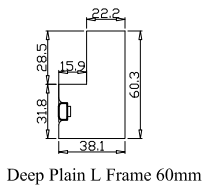
Rail Size(上下板尺寸): 418.2mm

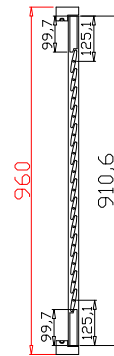
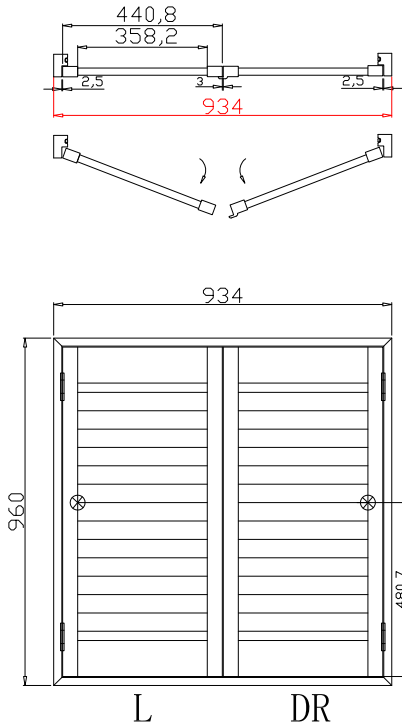
Order No(订单号): BAI G361523 ANDERSON

Item(序号): 2

Room(房间号): DINER

Louvre Size(叶片类型): 64mm





14

NOTES:

Shutter Color: Timeless White(覆盖色)

Hinges Color: White(白色)

Qty(数量): 1

Material(材质): Palowania(桐木)

Configuration(窗扇结构): L-DR, IN, 4Side, 41.3mm Astrigal, Deep Plain L Frame 60mm

Tilt rod type(拉杆类型): Easy tilt rod(齿条拉杆)

Louvre Quantity(叶片数量): 28

Louvre Size(叶片尺寸): 356.2mm

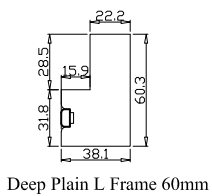
Rail Size(上下板尺寸): 408.2mm

Order No(订单号): BAI G361523 ANDERSON

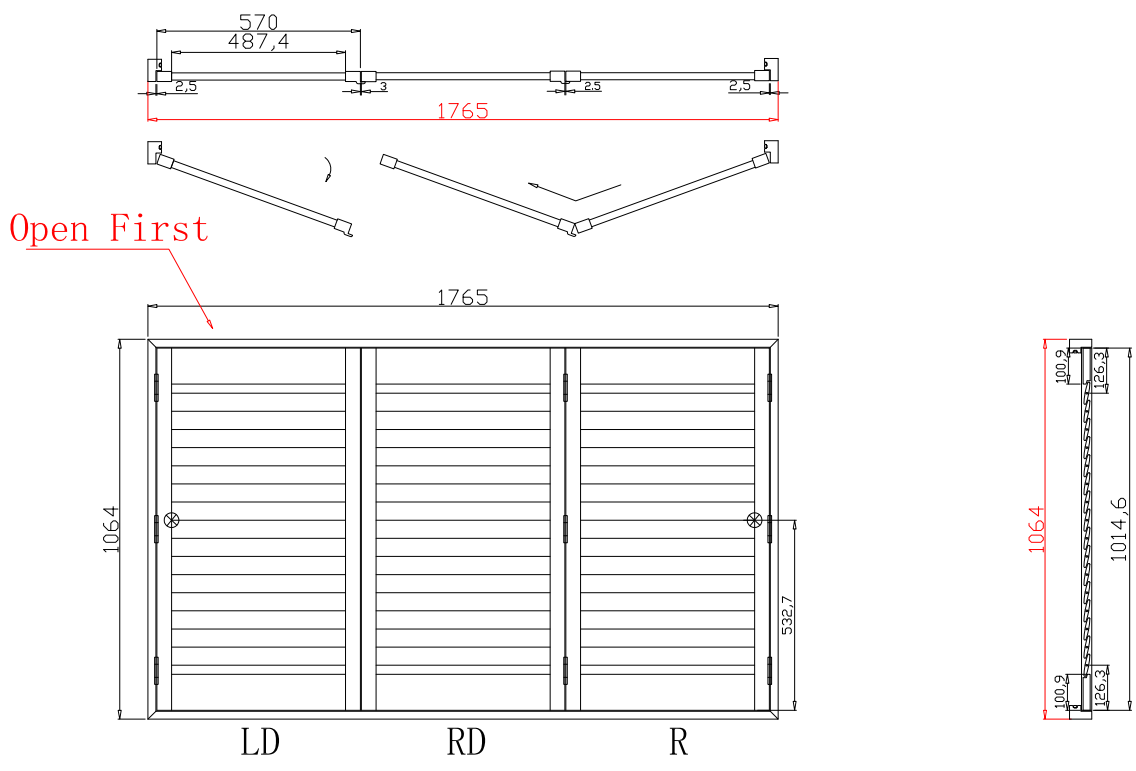
Item(序号): 3

Room(房间号): UTILITY

Louvre Size(叶片类型): 64mm

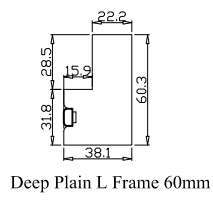


Deep Plain L Frame 60mm

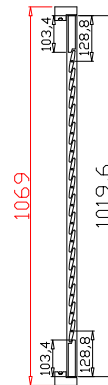
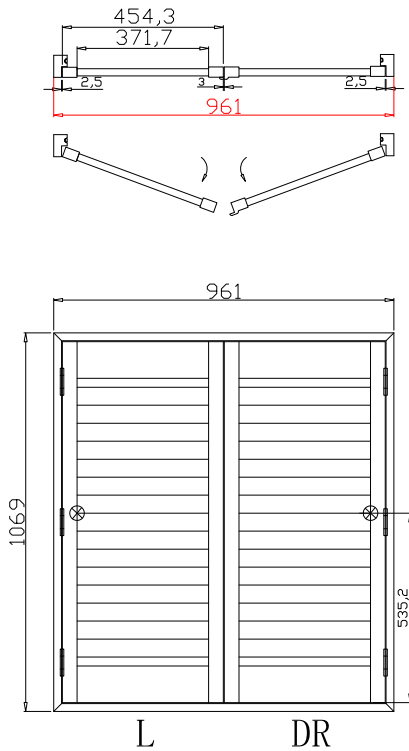


Open First

NOTES:



- Shutter Color: Timeless White(覆盖色)
 - Hinges Color: White(白色)
 - Qty(数量): 1
 - Material(材质): Palowania(桐木)
 - Configuration(窗扇结构): LD-RDR,IN, 4Side, 41.3mm Astrigal, Deep Plain L Frame 60mm
 - Tilt rod type(拉杆类型): Easy tilt rod(齿条拉杆)
 - Louvre Quantity(叶片数量): 48
 - Louvre Size(叶片尺寸): 485.4mm
 - Rail Size(上下板尺寸): 537.4mm
 - 窗扇左压右，左扇先打开
- Order No(订单号): BAI G361523 ANDERSON
 - Item(序号): 4
 - Room(房间号): LOUNGE FRONT
 - Louvre Size(叶片类型): 64mm



16

NOTES:

Shutter Color:Timeless White(覆盖色)

Hinges Color:White(白色)

Qty(数量): 1

Material(材质): Palowania(桐木)

Configuration(窗扇结构): L-DR,IN, 4Side, 41.3mm Astrigal, Deep Plain L Frame 60mm

Tilt rod type(拉杆类型): Easy tilt rod(齿条拉杆)

Louvre Quantity(叶片数量): 32

Louvre Size(叶片尺寸): 369.7mm

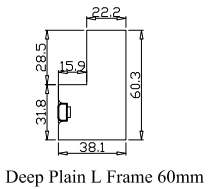
Rail Size(上下板尺寸): 421.7mm

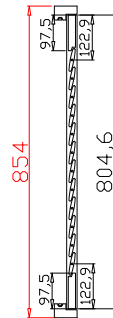
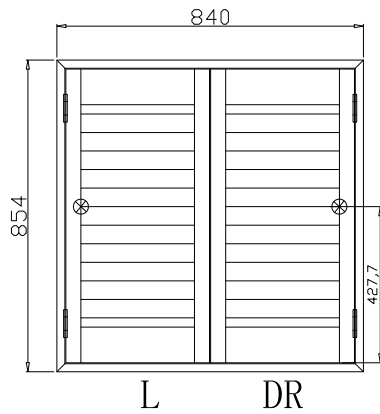
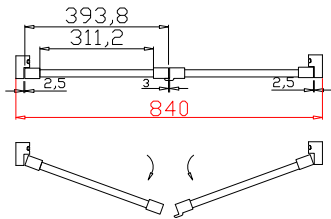
Order No(订单号):BAI G361523 ANDERSON

Item(序号): 5

Room(房间号): LOUNGE REAR

Louvre Size(叶片类型): 64mm





12

NOTES:

Shutter Color: Timeless White(覆盖色)

Hinges Color: White(白色)

Qty(数量): 1

Material(材质): Palowania(桐木)

Configuration(窗扇结构): L-DR,IN, 4Side, 41.3mm Astrigal, Deep Plain L Frame 60mm

Tilt rod type(拉杆类型): Easy tilt rod(齿条拉杆)

Louvre Quantity(叶片数量): 24

Louvre Size(叶片尺寸): 309.2mm

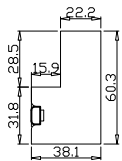
Rail Size(上下板尺寸): 361.2mm

Order No(订单号): BAI G361523 ANDERSON

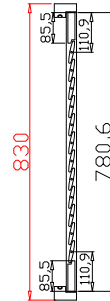
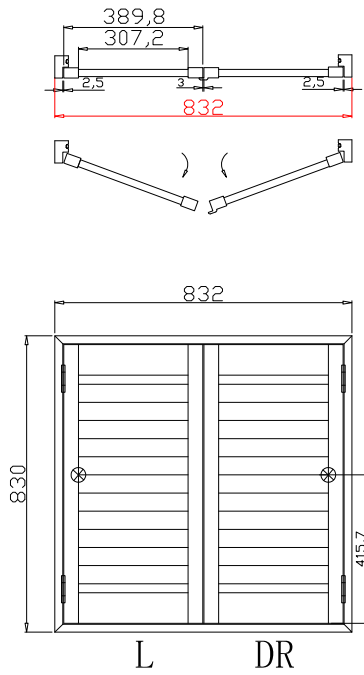
Item(序号): 6

Room(房间号): 1/2 LAND

Louvre Size(叶片类型): 64mm



Deep Plain L Frame 60mm



12

NOTES:

Shutter Color: Timeless White(覆盖色)

Hinges Color: White(白色)

Qty(数量): 1

Material(材质): Palowania(桐木)

Configuration(窗扇结构): L-DR, IN, 4Side, 41.3mm Astrigal, Deep Plain L Frame 60mm

Tilt rod type(拉杆类型): Easy tilt rod(齿条拉杆)

Louvre Quantity(叶片数量): 24

Louvre Size(叶片尺寸): 305.2mm

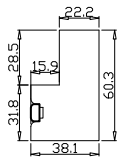
Rail Size(上下板尺寸): 357.2mm

Order No(订单号): BAI G361523 ANDERSON

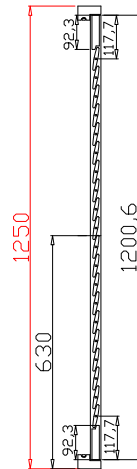
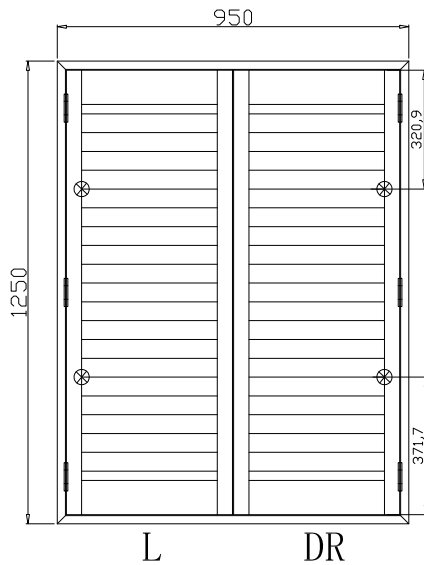
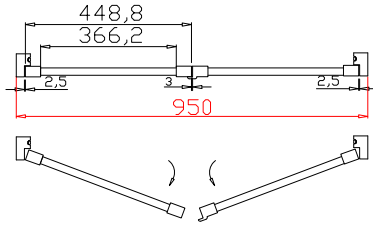
Item(序号): 7

Room(房间号): BATHROOM

Louvre Size(叶片类型): 64mm



Deep Plain L Frame 60mm



10

10

NOTES:

Shutter Color:Timeless White(覆盖色)

Hinges Color:White(白色)

Qty(数量): 1

Material(材质): Palowania(桐木)

Configuration(窗扇结构): L-DR,IN, 4Side, 41.3mm Astrigal, Deep Plain L Frame 60mm

Tilt rod type(拉杆类型): Easy tilt rod(齿条拉杆)

Louvre Quantity(叶片数量): 40

Louvre Size(叶片尺寸): 364.2mm

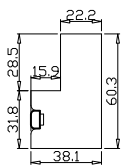
Rail Size(上下板尺寸): 416.2mm

Order No(订单号):BAI G361523 ANDERSON

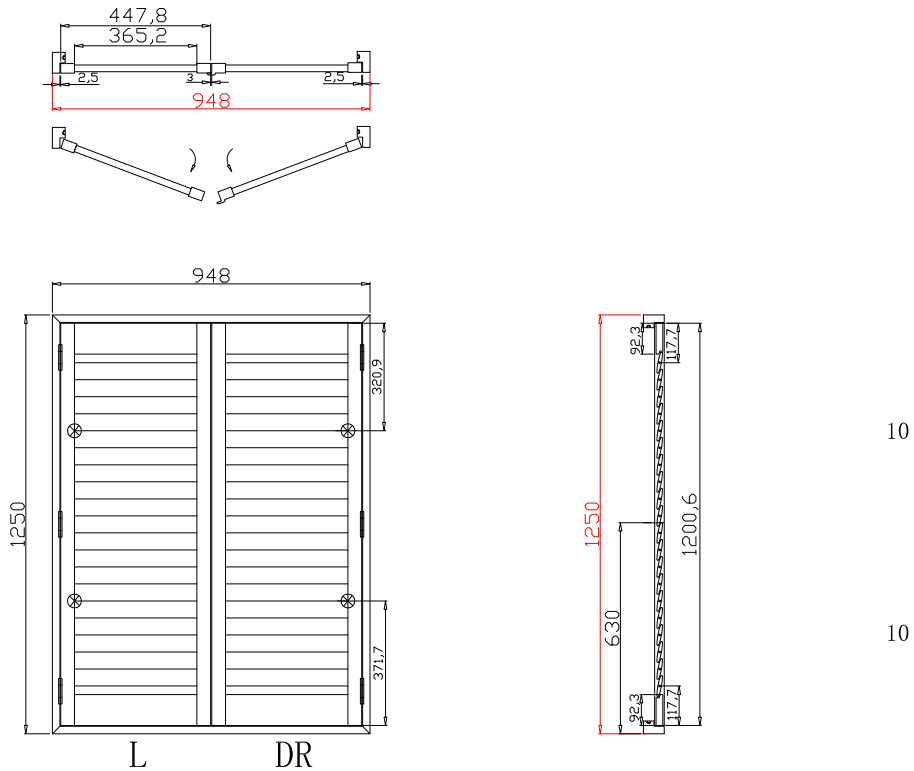
Item(序号): 8

Room(房间号): RH REAR BED

Louvre Size(叶片类型): 64mm



Deep Plain L Frame 60mm



NOTES:

Shutter Color: Timeless White(覆盖色)

Hinges Color: White(白色)

Qty(数量): 1

Material(材质): Palowania(桐木)

Configuration(窗扇结构): L-DR, IN, 4Side, 41.3mm Astrigal, Deep Plain L Frame 60mm

Tilt rod type(拉杆类型): Easy tilt rod(齿条拉杆)

Louvre Quantity(叶片数量): 40

Louvre Size(叶片尺寸): 363.2mm

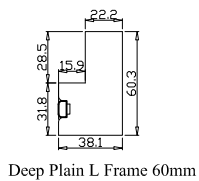
Rail Size(上下板尺寸): 415.2mm

Order No(订单号): BAI G361523 ANDERSON

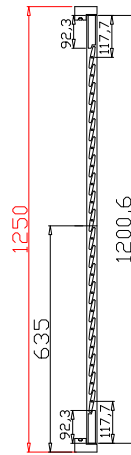
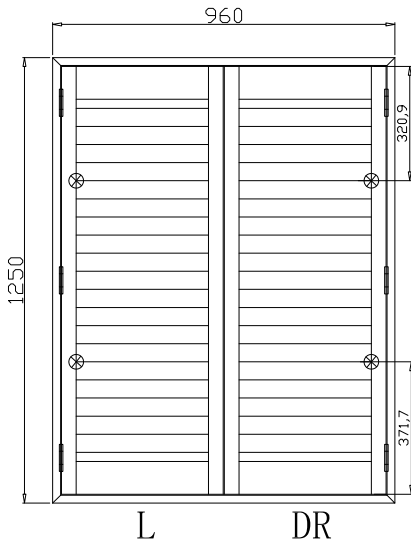
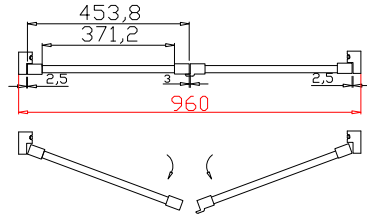
Item(序号): 9

Room(房间号): STUDY

Louvre Size(叶片类型): 64mm



Deep Plain L Frame 60mm



10

10

NOTES:

Shutter Color: Timeless White(覆盖色)

Hinges Color: White(白色)

Qty(数量): 1

Material(材质): Palowania(桐木)

Configuration(窗扇结构): L-DR,IN, 4Side, 41.3mm Astrigal, Deep Plain L Frame 60mm

Tilt rod type(拉杆类型): Easy tilt rod(齿条拉杆)

Louvre Quantity(叶片数量): 40

Louvre Size(叶片尺寸): 369.2mm

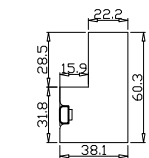
Rail Size(上下板尺寸): 421.2mm

Order No(订单号): BAI G361523 ANDERSON

Item(序号): 10

Room(房间号): LH REAR BED

Louvre Size(叶片类型): 64mm



Deep Plain L Frame 60mm