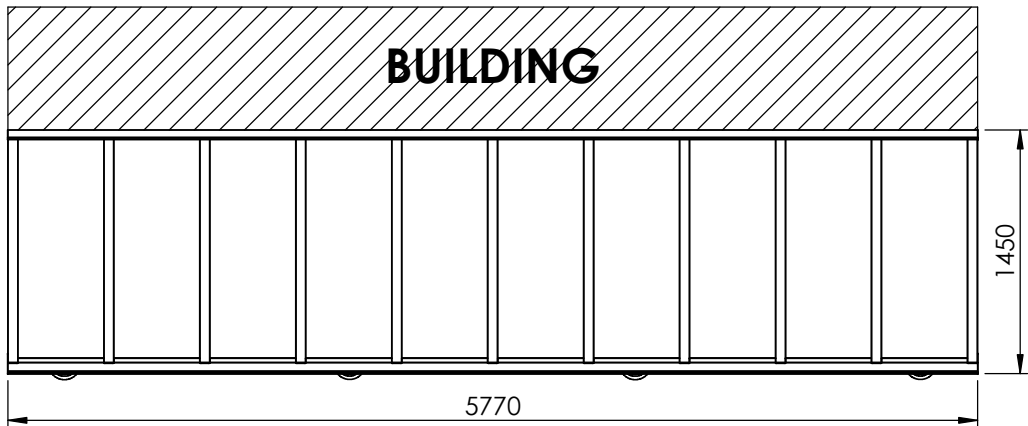
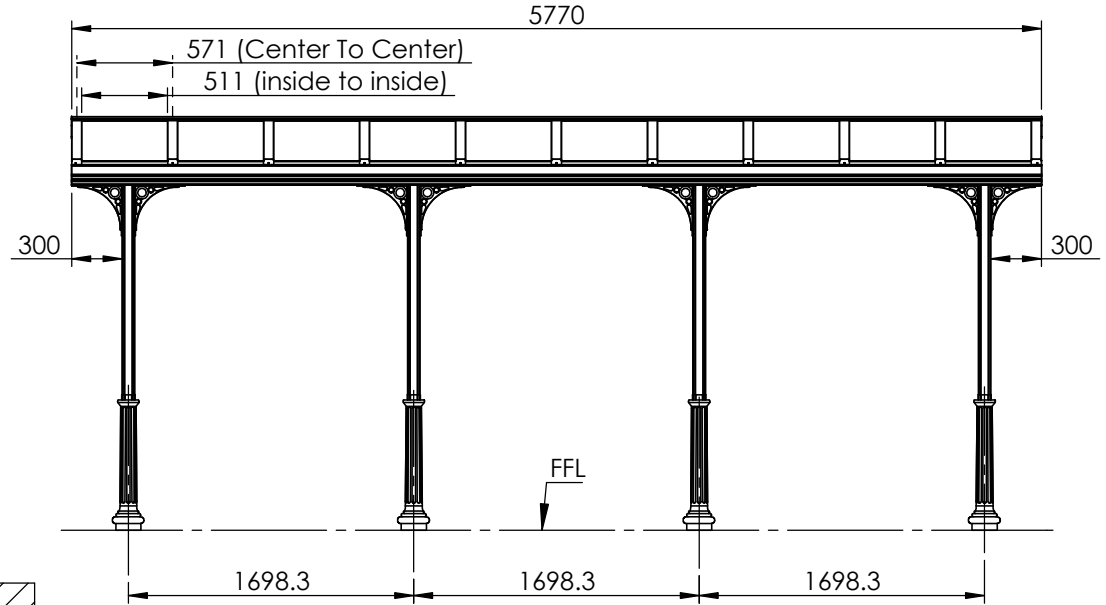
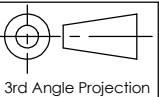


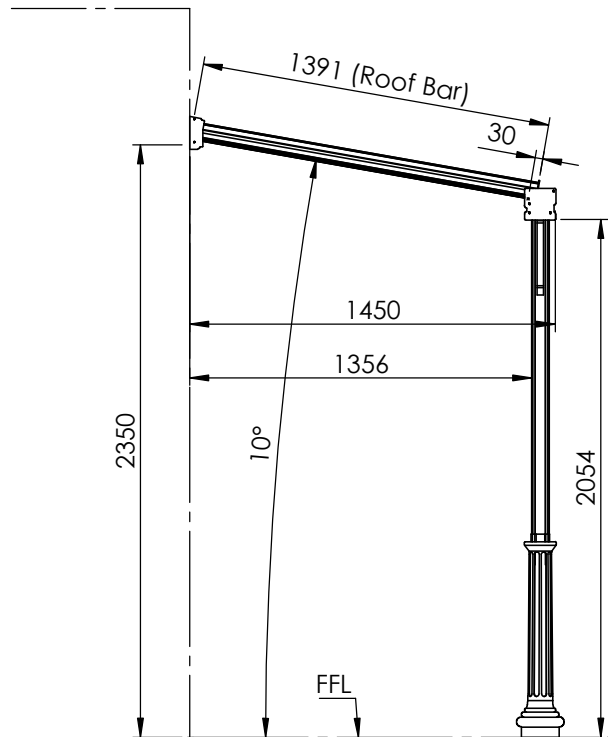
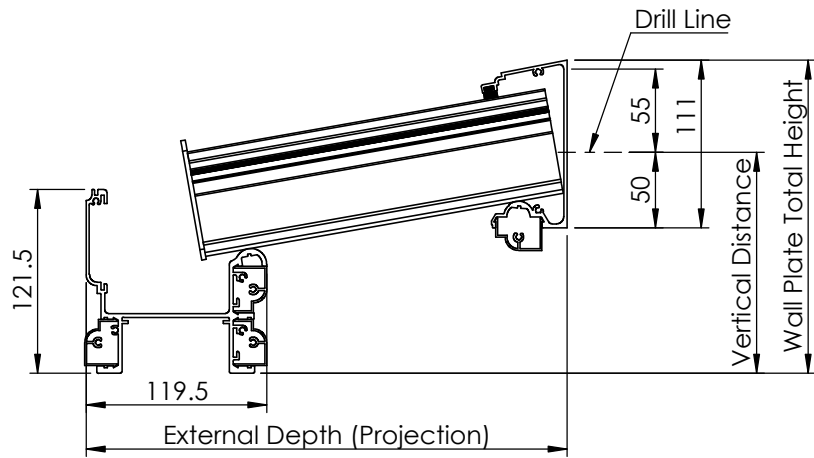
**FRONT VIEW & ROOF TOP VIEW WITH BUILDING**

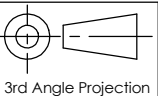


**Finish** : Powder Coated to RAL 7032 Semi Gloss.  
**Glass** : 6mm Self Cleaning Glass Roof Panels.  
**Weight** : 206.61 KG.

Customer Reference : Drydale	Drawing Title : C P Interiors					
	Product Name : Simplicity 6					
Customer Sign :	 3rd Angle Projection	Page	Date	Page Size	Scale	Drawn
		1 OF 6	20/09/18	A4 (L)	NTS	SR
Order No. :	Finish PPC	Issuer ACS	(Tol) +/- 1 mm	Sequence 000001	Revision v1.0	

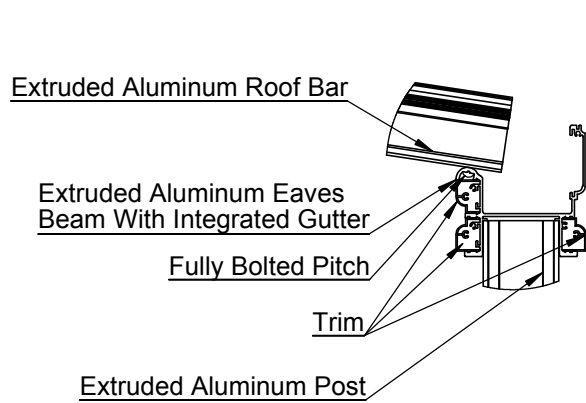
# CROSS SECTION VIEW & ISOMETRIC VIEW



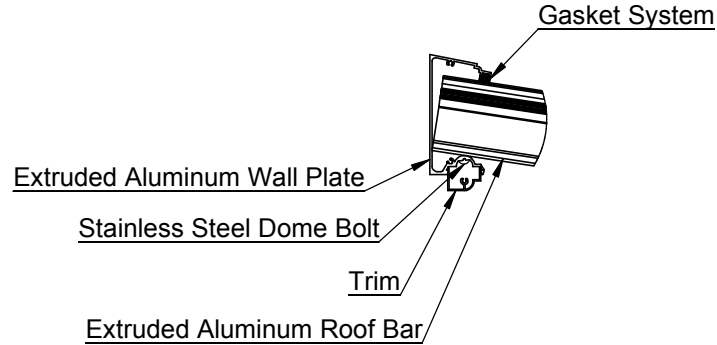
Customer Reference : Drydale	Drawing Title : C P Interiors					
	Product Name : Simplicity 6					
Customer Sign :	 3rd Angle Projection	Page 2 OF 6	Date 20/09/18	Page Size A4 (L)	Scale NTS	Drawn SR
Order No. :		Finish PPC	Issuer ACS	(Tol) +/- 1 mm	Sequence 000001	Revision v1.0

# PRODUCT DETAIL

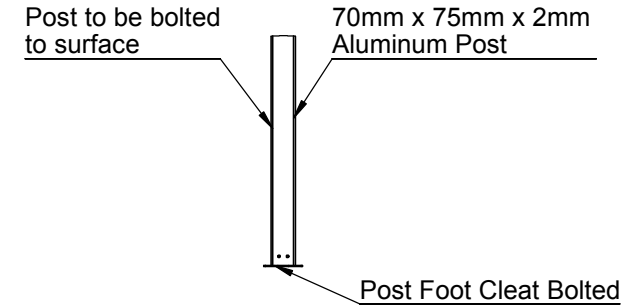
## Eaves Beam Roof Bar & Post Section



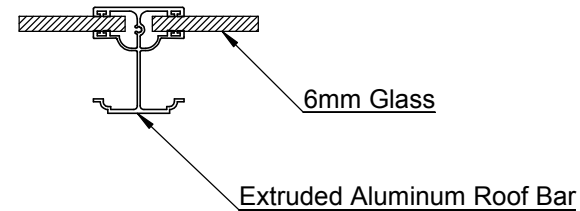
## Wall Plate & Roof Bar Section

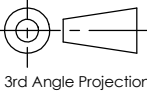


## Base & Post Connection Information

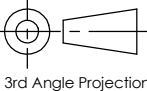


## Roof Bar & Sheet Section

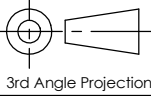


Customer Reference : Drydale	Drawing Title : C P Interiors					
	Product Name : Simplicity 6					
Customer Sign :	 3rd Angle Projection	Page 3 OF 6	Date 20/09/18	Page Size A4 (L)	Scale NTS	Drawn SR
Order No. :	Finish PPC	Issuer ACS	(Tol) +/- 1 mm	Sequence 000001	Revision v1.0	

## CUTTING & PICKING LIST OF COMPONENTS REQUIRED

ITEM NO.	CUTTING LIST				Cut	Checked	Delivered			
	PRODUCT CODE	DESCRIPTION	QTY.	LENGTH						
1	MW/GLGB/001	Glazing Bar	9	1391mm						
2	MW/GLEB	End Glazing Bar 6m	2	1391mm						
3a	MW/WPVERA/001	Wall Plate Veranda	1	5770mm						
3b	MW/WPVERA/001	Wall Plate Veranda	0							
4a	MW/GUTT/VERANDA	Gutter For Veranda	1	5770mm						
4b	MW/GUTT/VERANDA	Gutter For Veranda	0							
5	MW/GUTT/TRIM	Gutter Trim	4	5770mm						
6	MW/FSEC/GLASS	F Section 6mm	10	511mm						
7	MW/POST/002/6M	Post 6m	4	3000mm						
8	MW/DNPI/001	Downpipe Square White	0							
9	MW/BLACK DOWNPIPE	Downpipe Square BLACK	0							
10	MW/CAST/001	Gallows Brackets 220mm x 220mm	0							
11	MW/CAST/002	Gallows Brackets 300mm x 300mm	8	300mm						
12	MW/GAL/450	Gallows Brackets 450mm x 450mm	0							
13a	MW/GUIF/001	Gutter Infill Channel	2	298mm						
13b	MW/GUIF/001	Gutter Infill Channel	3	1621mm						
14	MW/VIC/CAST	Victorian Upgrade Base Castings	4							
15a	MW/AFLC/001	Light Channel	0							
15b	MW/AFLC/001	Light Channel	0							
16a	MW/AFL/001	Lens For Light Channel	0							
16b	MW/AFL/001	Lens For Light Channel	0							
17a	MW/LED Lighting	LED Lighting Strip	0							
17b	MW/LED Lighting	LED Lighting Strip	0							
Delivery Date :		<b>Warehouse</b>	Customer Reference :		Drawing Title :					
			Drydale		C P Interiors					
Colour & Finish of Canopy : Semi-Gloss		Checked By :	Customer Sign :		Product Name :					
					Simplicity 6					
RAL Code : RAL 7032			Order No. :		 3rd Angle Projection	Page	Date	Page Size	Scale	Drawn
						Finish	Issuer	(Tol) +/- 1 mm	Sequence	Revision
				PPC	ACS		000001	v1.0		

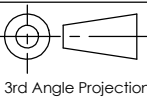
## CUTTING & PICKING LIST OF COMPONENTS REQUIRED

PICKING LIST					Packed	Checked	Delivered		
18	MW/AFEC/001	Light Channel End Plate	0						
19	MW/LED Transformer	LED Transformer	0						
20	REMOTE	Remote Control	0						
21	MW/Electrical Box	Junction box (grey G wizz box)	0						
22	MW/BEPL/001	Bar End Plates	9						
23	MW/BEPL/002	Bar End Plates (Offset Hole)	2						
24	MW/WPEP/VERA	Wall Plate End Plate Veranda	2						
25	MW/GEPL/002	Gutter End plate 6	2						
26	MW/EAJA/010	18mm x 300mm Joiner	0						
27	MW/EAJA/008	70 x 300 Eaves Joiner 3	0						
28	MW/EAJA/011	61.5mm x 300mm Joiner	0						
29	MW/PSFT/002	Post floor cleat (IN GROUND)	0						
30	MW/PSFT/001	Post Floor Cleat bolted to the ground	4						
31	MW/DNPC/001	Down Pipe Shoes White	0						
32	MW/DNAS/001	Down Pipe bends White	0						
33	MW/SFPC/WHITE	Single Fix Plastic Down Pipe Clip White	0						
34	MW/DPShoeBK	Downpipe Shoes Black	0						
35	MW/DPBEND	Down Pipe bends BLACK	0						
36	MW/SFPC/BLACK	Single Fix Plastic Down Pipe Clip Black	0						
37	40mm/Bend	Swivel Bend	1						
38	40mm/Pipe	Waste Pipe White 3m	1	3000mm					
39	40mm/Joiner	Straight Joiner	0						
<b>Warehouse</b>		Customer Reference :	Drawing Title :						
			C P Interiors						
			Product Name :						
Checked By :		Customer Sign :	 3rd Angle Projection		Page	Date	Page Size	Scale	Drawn
					5 OF 6	20/09/18	A4 (L)	NTS	SR
		Order No. :	Finish	Issuer	(Tol)	Sequence	Revision		
	PPC	ACS	+/- 1 mm	000001	v1.0				

## CUTTING & PICKING LIST OF COMPONENTS REQUIRED

40	MW/Spigot	Down Pipe Spigot	1			
41	MW/SFLX/001	Sikaflex	1			
42	MW/SILC/001	Soudal Clear Silicon	1			
43	MW/FASTENER06	M6 x 16 Pan Pozi Bolt	53			
44	MW/FASTENER03	No8 x 5/8 Pan Pozi Self Tapping Screw	24			
45	MW/FASTENER04	No12 x 1"1/4 Hexagon Self Drill Screw	120			
46	MW/FASTENER13	No10 x 25mm Hex Head Srcrew	14			
47	MW/FASTENER05	M6 Nyloc Nut	53			
48	MW/ M5PLTCCAP	M5 Domed Nut Cover Caps WHITE	0			
49	MW/ M5PLTCPBK	M5 Domed Nut Cover Caps BLACK	134			
50	MW/SPRAYCAN	Aerosol Can	1			
52	MW/LEAD FLASHING	Lead Flashing	0			
53	MW/6" SLEEVE	Protective Sleeve	1	34000mm		
54	MW/10INCHPVC	Protective Sleeve	1	12000mm		
55	MW/GBGK/003	Glass Bar Top Gasket	22	1391mm		
56	MW/GLGK/002	Glass Bar Bottom Gasket	22	1391mm		
57		Cutting List		2		
58		Simplicity 6 Installation Guide(Emailed)		1		
59	MW/GLASS/SC	6mm Self Cleaning Glass	10	Length-1391mm & Width-551mm		
<b>Drivers/Receivers Signature</b>			<b>Date</b>			

Please Note: you are signing to say that all goods have been received in good condition and the quantities on this cutting list are correct. Milwood will not accept any liability unless damaged or lost items are reported within 48 hours.

<b>Warehouse</b>	Customer Reference :	Drawing Title :				
	Drydale	C P Interiors				
Checked By :	Customer Sign :	Product Name :				
	Order No. :	 <small>3rd Angle Projection</small>	Page	Date	Page Size	Scale
			6 OF 6	20/09/18	A4 (L)	NTS
Finish	Issuer	(Tol) +/- 1 mm	Sequence	Revision		
PPC	ACS		000001	v1.0		