



CP INTERIORS

QUOTE

To: Tristan & Claire Job
5 Clos Des Ormes
La Vert Rue
St Lawrence
JE3 1JJ

Job Number: SO17824 Q2
Customer Reference:
Awning

Quote Date: Wednesday 15 Apr 2026
Deposit required: £ 2,984.10
Your Contact: Tamara

Our Price Promise to you
We are so confident our pricing is competitive, that we will beat any written quotation for equivalent product by 5%

To supply and fit unless otherwise stated.

Location	Product	Description	Qty	Price
----------	---------	-------------	-----	-------

OPTION 2: Cassita II 5.5m x 3m

Awning / Canopy	Weinor Cassita II electrically operated awning with full cassette (no valance) and vibration sensor, powder coated in one of the standard colours available, in one of the My Weinor Collection acrylic fabrics. Somfy io Motor side TBC. Size: 5.5m wide x 3m projection. Includes remote control.	1	£ 5,684.00
-----------------	---	---	------------

LEFT-HAND SIDE MOTOR
Confirmed in showroom
on 18/04/26



029/90146

P/8-374 Pyrite

WEINOR
SPECIAL
OFFER

Electrical works not included

If you order before the 30th of April 2026, a special £638 discount for motorisation will be applied

An additional 10% discount will be applied by CP Interiors

Terms: 50% deposit due with order, 50% on completion

** To go ahead with this quote please make deposit payment. To pay by card call us on 01534 768141 **

Direct Deposit - Sort Code: 60-12-03 Account: 66577772

If you have any queries please call us on 01534 768141 or visit our showroom Rue des Pres Trading Estate St Saviour

** For Our Terms & Conditions of Sale please go to www.cpinteriors.je **

Subtotal	£ 5,684.00
GST	£ 284.20
Total	£ 5,968.20
Paid amount	£ 0.00
Total amount	£ 5,968.20

Please note: This quotation is only valid for acceptance for 7 days. Our estimate does not include any electrical work or additional carpentry work to install the above unless otherwise specified. Please note there is a handling charge on customer own fabric of £7.50 per metre. Due to high costs of labour, pre-arranged missed fitting appointments will be charged on a time-wasted basis. Settlement is due on completion of works and an administration charge of £25 will be added per month if unpaid within 30 days. We reserve the right to charge for design, advice and liaison work carried out should an order not be placed. Goods remain the property of CP Interiors until full settlement is received. Should payment not be received we reserve the right to attend premises during working hours to remove goods and not be required to make good. Our full terms and conditions apply and are available on request.

weinor Ltd 73 Cornhill EC3V 3QQ London

C P Interiors

**Rue Des Pres Trading Estate
GB-JE2 7QN St Saviour Jersey**

delivery address

DSV Road Ltd
(NO UPS)
10 Brunel Way, Segensworth Industrial Estate
GB-PO15 5TX Hampshire, Fareham
NO UPS

ORDER CONFIRMATION (release 1)

sales order no.: 202964529 of 21.04.2026
customer: 165708
reference: Job Spring Offer
Your order no.: SO17824
contact person: William Abbott
E-Mail: WAbbott@weinor.de
phone number: +49-221-59709-472
representat. 654 Chris Spickett
tel (representat.): 0044 (0) 7894443907

pos	quantity	article code	
-----	----------	--------------	--

1	1,00	1308	Cassita II spring campaign
---	------	------	----------------------------

Anticipated delivery	:	18.05.2026	
width [cm]	:	550	cm
Projection [cm]	:	300	cm 3.302,00
Basic colour	:	WT029/90146 Approx. RAL 9006 Metallic	
Anzahl Arme	:	2	Piece
remote control type required	:	Somfy io control including Situo io Pure handset and Sunea io motor upgrade	
insulation [mm]	:	0	mm
bracket type 1	:	wall fixing	
number of brackets 1	:	2	Piece 62,00

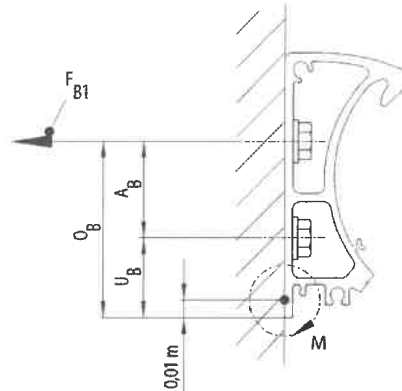
weinor Ltd
73 Cornhill
GB-EC3V 3QQ London
weinor.com

Managing Director:
Tim Földner
General partner:
Weinor Beteiligungs-GmbH
Köln

VAT no.: 335 2381 16
Company no.: 12193066
UTR no.: 33431 24084
EORI no.: GB335238116000

Domestic transfers:
Commerzbank London
Sort Code: 406201
Account Number: 307 537 10

International transfers:
Commerzbank London
IBAN: GB51 COBA 4062 0130 7537 10
Swift: MIDLGB22 a/c COBAGB2X

**Force 1 means the pull-out force per upper fastener F(B).**

FB1 Force 1 per fixing point	: 3347	N
M = Torque per folding arm	: 603	Nm

Please note that your selected awning configuration results in the following forces per upper fixing point (pull-out, lateral and/or shear forces). These must be accounted for by using suitable fixings.

bracket position left [mm]	: 90	mm
bracket position right [mm]	: 90	mm
arm position left	: 58	mm
arm position right	: 58	mm
type of control	: Remote-controlled motor IO Homecontrol	
Side of control (seen from the front)	: left	
control	: hand transmitter Situo 5 io II by weinor	
Type of engine	: Motor Sfy Sunea50 io 40/17 ohne Zubehör	
Somfy radio wind sensor io	: with Somfy Eolis 3D WireFree io; black housing	
real-design	: we8-374	pyrite, my collections 2
Glue fabric?	: no, sewn fabric	
colour of thread Saba	: RAL 7001 Silver grey	
Cardboard container	: edges reinforcement	
weight	: 69	kg

weinor Ltd 73 Cornhill EC3V 3QQ London

customer: 165708 sales order 202964529

Page 3 of 4

pos	quantity	article code
-----	----------	--------------

value of goods	discount amount / %	net
3.364,00	1.345,60 / 40,00	2.018,40

999	1,00	127887-0000	net material cost surcharge
-----	------	-------------	-----------------------------

price per unit : 0

value of goods	discount amount / %	net
0,00	0,00 / 0,00	0,00

value of goods	discount amount	net	VAT (0 %)	Total GBP
3.364,00	1.345,60	2.018,40	0,00	2.018,40

weinor Ltd
73 Cornhill
GB-EC3V 3QQ London
weinor.com

Managing Director:
Tim Földner
General partner:
Weinor Beteiligungs-GmbH
Köln

VAT no.: 335 2381 16
Company no.: 12193066
UTR no.: 33431 24084
EORI no.: GB335238116000

Domestic transfers:
Commerzbank London
Sort Code: 406201
Account Number: 307 537 10

International transfers:
Commerzbank London
IBAN: GB51 COBA 4062 0130 7537 10
Swift: MIDLGB22 a/c COBAGB2X

Our spoken and written advice focuses on an explanation of the best possible use of our products and services. It does not liberate you from the obligation to check fitness of our products and services for your particular purpose. That includes the inspection of the general condition and especially maximum capacity load of fixing base as well as forwarding all respective information in addition to your order to weinor. That way delivery of the correct type and number of brackets is guaranteed. If our product can not be used as upon agreement due to false or lacking information we or any auxiliary person do accept contractual or non-contractual liabilities only in case of malicious intent or gross negligence.

In order to mount all brackets corresponding their fixing base you will need suitable mounting systems. For mounting on concrete C20/25 we recommend heavy duty anchor-systems from fischer (e.g. FAZ II M12/10 GS or FAZ II M12/30 GS). In case of mounting on any other base referred to in our pricelist or on frontal concrete ceiling we recommend the use of injection systems from fischer (e.g. FIS V 360 S). You can order them directly from us.

If you use a different mounting system or your own brackets, you will need a table of pull-out resistance of screw anchors in order to determine the working load.

In addition, our General Terms of Delivery and Payment as per 01/2024, published under the link provided below are valid and we are happy to provide you with them free of charge upon request.

<https://www.weinor.com/terms-and-conditions/>

delivery exw Cologne
payment: With direct debit 5% discount payment
mode of dispatch UK export / self collecting

Configuration details

weinor Ltd 73 Cornhill EC3V 3QQ London

C P Interiors

Rue Des Pres Trading Estate
GB-JE2 7QN St Saviour Jersey

reference: Job Spring Offer
Your order no.: SO17824
weinor customernumber: 165708
creation Date: 20.04.2026
weinor pers. in charge: William Abbott
phone / fax number: +49-221-59709-472
representat.: Chris Spickett
tel (representat.): 0044 (0) 7894443907

pos	quantity	article	price
1	1	weinor Cassita II spring campaign	3.364,00
		width (cm) : 550 cm ✓	
		Projection [cm] : 300 cm ✓	3.302,00
		Base colour : WT029/90146 Approx. RAL 9006 Metallic	
		no. of arms : 2 Piece	
		Bonus selection : Somfy io control including Situo io Pure handset and Sunea io motor upgrade	
		insulation [mm] : 0 mm	
		bracket type 1 : wall fixing	
		number of brackets 1 : 2 Piece	62,00
		FB1 Force 1 per fixing point : 3347 N	
		Torque per folding arm [Nm] : 603 Nm	
		bracket position left [mm] : 90 mm	
		bracket position right [mm] : 90 mm	
		arm position left : 58 mm	
		arm position right : 58 mm	
		type of control : Remote-controlled motor IO Homecontrol ✓	
		Side of control (seen from the front) : left ✓	
		control : hand transmitter Situo 5 io II by weinor ✓	
		type of motor : Motor Sfy Sunea50 io 40/17 ohne Zubehör	
		Somfy radio wind sensor io : with Somfy Eolis 3D WireFree io; black housing ✓	
		real-design : we8-374 ✓	
		Glue fabric? : no, sewn fabric	
		colour of thread Saba : RAL 7001 Silver grey	
		Cardboard packaging : edges reinforcement	
		weight : 69 kg	

weinor Ltd
73 Cornhill
GB-EC3V 3QQ London
weinor.com

Managing Director:
Tim Fuldner
General partner:
Weinor Beteiligungs-GmbH
Köln

VAT no.: 335 2381 16
Company no.: 12193066
UTR no.: 33431 24084
EORI no.: GB335238116000

Domestic transfers:
Commerzbank London
Sort Code: 406201
Account Number: 307 537 10

International transfers:
Commerzbank London
IBAN: GB51 COBA 4062 0130 7537 10
Swift: MIDLGB22 a/c COBAGB2X



Configuration details

weinor Ltd 73 Cornhill EC3V 3QQ London

customer: 165708 reference: Job Spring Offer Page 2 of 2

pos	quantity	article			price
-----	----------	---------	--	--	-------

value of goods	discount amount / %	net
3.364,00	1.345,60 / 40,00	2.018,40

999	1	weinor Netto-Materialkostenzuschlag			0,00
-----	---	-------------------------------------	--	--	------

price per unit : 0

value of goods	discount amount / %	net
0,00	0,00 / 0,00	0,00

value of goods GBP	discount amount	net GBP	VAT (0 %)	Total GBP
3.364,00	1.345,60	2.018,40	0,00	2.018,40

Staff Name Adrian

Work Diary

Order No SO16299

Measurer or Fitter Measurer

Customer Ref

Mr & Mrs. Tristan & Claire Job, 5 Clos Des Ormes, La Vert Rue, St Lawrence, JE3
1JJ, 07797795096,

Date 08-11-2024

Time 09:30

Notes : 2 x roller & amp; 1 x awning (Tristan is at TSA & amp; was at Godel archi)

Location	Supplier	Blind Type /Description	Colour	Qty	Width	Drop	Fitting Height	Blind/Recess	Controls	Brackets	Surface	Unit Price
Kitchen		Roller	TRA	1	1950	7140		cls	Rtk	FAIR		
		+ Full cassette	grey									
		white										
		external										
		2-ion										
		Recess										
"		"	"	1	1930	1200	✓	cls	Rtk	FAIR		
Deck		Awning		1	6000	3000						
		Sp. Semina 1lb										
		(or)										
		CASSIDA II		1	5500	3000						
									Architect			
									discount			
									to AM	15%		

Comments:

Order Date

Customer Signature

X
I have checked and agree with the above choices

Target Fitting Date



Configuration details

weinor Ltd 73 Cornhill EC3V 3QQ London

C P Interiors

Rue Des Pres Trading Estate
GB-JE2 7QN St Saviour Jersey

reference: Job
Your order no.: SO17824
weinor customernumber: 165708
creation Date: 15.04.2026
weinor pers. in charge: William Abbott
phone / fax number: +49-221-59709-472
representat.: Chris Spickett
tel (representat.): 0044 (0) 7894443907

pos	quantity	article	price
1	1	weinor Semina Life	4.201,00
		width [cm] : 600 cm	
		Projection [cm] : 300 cm	3.587,00
		Basic colour : WT029/80077 Approx. DB 703 Metallic	
		Colour of the head plate cover and of the front profile endcaps. : Standard / stainless steel look	
		Folding arm design : Arm with LongLife technology and high-tech belt	
		Anzahl Arme : 2 arms	
		insulation [mm] : 0 mm	
		bracket type 1 : wall bracket 250 complete	
		number of brackets 1 : 2 Piece	126,00
		Bracket type 2 : center wall bracket 250 complete	
		number of brackets 2 : 1 Piece	63,00
		FB1 Force 1 per fixing point : 3559 N	
		M = Torque per folding arm : 840 Nm	
		bracket position left 1st array : 600 mm, displacement range from 500 mm to 700 mm	
		bracket position center 1st array : 3000 mm	
		bracket position right 1st array : 600 mm, displacement range from 500 mm to 700 mm	
		type of control : Remote-controlled motor IO Homecontrol	143,00
		Side of control (seen from the front) : left	
		control : hand transmitter Situo 1 io II by weinor	75,00
		Type of engine : Motor Sfy Sunea60 io 55/17 80We OptInut -	
		Somfy radio wind sensor io : with Somfy Eolis 3D WireFree io; black housing	207,00
		real-design : WE3-501	
		colour of thread Saba : light beige	
		Glue fabric? : no, sewn fabric	

weinor Ltd
73 Cornhill
GB-EC3V 3QQ London
weinor.com

Managing Director:
Tim Földner
General partner:
Weinor Beteiligungs-GmbH
Köln

VAT no.: 335 2381 16
Company no.: 12193066
UTR no.: 33431 24084
EORI no.: GB335238116000

Domestic transfers:
Commerzbank London
Sort Code: 406201
Account Number: 307 537 10

International transfers:
Commerzbank London
IBAN: GB51 COBA 4062 0130 7537 10
Swift: MIDLGB22 a/c COBAGB2X



Configuration details

weinor Ltd 73 Cornhill EC3V 3QQ London

customer: 165708 reference: Job Page 2 of 3
pos quantity article price

Cardboard container : edges reinforcement
 weight : 104 kg

	value of goods	discount amount / %	net
	4.201,00	1.680,40 / 40,00	2.520,60

£6,302

Configuration details

weinor Ltd 73 Cornhill EC3V 3QQ London

customer: 165708 reference: Job Page 3 of 3
 pos quantity article price

2 1 weinor Cassita II 3.789,00

width [cm] : 550 cm
 Projection [cm] : 300 cm 3.302,00
 Basic colour : WT029/80077 Approx. DB 703 Metallic
 Anzahl Arme : 2 Piece
 insulation [mm] : 0 mm
 bracket type 1 : wall fixing
 number of brackets 1 : 2 Piece 62,00
 FB1 Force 1 per fixing point : 3347 N
 M = Torque per folding arm : 603 Nm
 bracket position left [mm] : 90 mm
 bracket position right [mm] : 90 mm
 arm position left : 58 mm
 arm position right : 58 mm
 type of control : Remote-controlled motor IO Homecontrol 143,00
 Side of control (seen from the front) : left
 Hirschmann plug? : without Hirschmann plug
 control : hand transmitter Situo 1 io II by weinor 75,00
 Type of engine : Motor Sfy Sunea50 io 40/17 ohne Zubehör
 Somfy radio wind sensor io : with Somfy Eolis 3D WireFree io; black housing 207,00
 real-design : WE3-501
 colour of thread Saba : light beige
 Cardboard container : edges reinforcement
 weight : 69 kg

	value of goods	discount amount / %	net
	3.789,00	1.515,60 / 40,00	2.273,40
value of goods GBP	7.990,00	discount amount	net GBP
		3.196,00	4.794,00
		VAT (0 %)	Total GBP
		0,00	4.794,00

£5,684



Configuration details

weinor Ltd 73 Cornhill EC3V 3QQ London

C P Interiors

Rue Des Pres Trading Estate
GB-JE2 7QN St Saviour Jersey

reference: Job Spring Offer
Your order no.: SO17824
weinor customernumber: 165708
creation Date: 15.04.2026
weinor pers. in charge: William Abbott
phone / fax number: +49-221-59709-472
representat.: Chris Spickett
tel (representat.): 0044 (0) 7894443907

pos	quantity	article	price
1	1	weinor Cassita II spring campaign	3.364,00
		width [cm] : 550 cm	
		Projection [cm] : 300 cm	3.302,00
		Basic colour : WT029/80081 Iron Glimmer Effect P 7	
		Anzahl Arme : 2 Piece	
		remote control type required : Somfy io control including Situo io Pure handset and Sunea io motor upgrade	
		insulation [mm] : 0 mm	
		bracket type 1 : wall fixing	
		number of brackets 1 : 2 Piece	62,00
		FB1 Force 1 per fixing point : 3347 N	
		M = Torque per folding arm : 603 Nm	
		bracket position left [mm] : 90 mm	
		bracket position right [mm] : 90 mm	
		arm position left : 58 mm	
		arm position right : 58 mm	
		type of control : Remote-controlled motor IO Homecontrol	
		Side of control (seen from the front) : left	
		control : hand transmitter Situo 5 io II by weinor	
		Type of engine : Motor Sfy Sunea50 io 40/17 ohne Zubehör	
		Somfy radio wind sensor io : with Somfy Eolis 3D WireFree io; black housing	
		real-design : WE3-501	
		Glue fabric? : no, sewn fabric	
		colour of thread Saba : light beige	
		Cardboard container : edges reinforcement	
		weight : 69 kg	

weinor Ltd
73 Cornhill
GB-EC3V 3QQ London
weinor.com

Managing Director:
Tim Fuldner
General partner:
Weinor Beteiligungs-GmbH
Köln

VAT no.: 335 238116
Company no.: 12193066
UTR no.: 33431 24084
EORI no.: GB335238116000

Domestic transfers:
Commerzbank London
Sort Code: 406201
Account Number: 307 537 10

International transfers:
Commerzbank London
IBAN: GB51 COBA 4062 0130 7537 10
Swift: MIDLGB22 a/c COBAGB2X

Configuration details

weinor Ltd 73 Cornhill EC3V 3QQ London

customer: 165708 reference: Job Spring Offer Page 2 of 2
 pos quantity article price

	value of goods	discount amount / %	net
	3.364,00	1.345,60 / 40,00	2.018,40

value of goods GBP	discount amount	net GBP	VAT (0 %)	Total G
3.364,00	1.345,60	2.018,40	0,00	2.018,40

£5,046

£638 discount



CP INTERIORS

QUOTE

To:
Tristan & Claire Job
5 Clos Des Ormes
La Vert Rue
St Lawrence
JE3 1JJ

Job Number: SO17824 Q1
Customer Reference:
Awning

Quote Date: Wednesday 15 Apr 2026
Deposit required: £ 2,812.27
Your Contact: Tamara

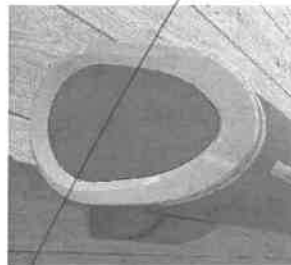
Our Price Promise to you
We are so confident our pricing is competitive, that we will beat any written quotation for equivalent product by 5%

To supply and fit unless otherwise stated.

Location	Product	Description	Qty	Price
----------	---------	-------------	-----	-------

OPTION 1: Semina Life 6m x 3m

Awning / Canopy	Weinor Semina Life electrically operated awning with full cassette (no valance) and vibration sensor, powder coated in one of the standard colours available, in one of the My Weinor Collection acrylic fabrics. Somfy io Motor side TBC. Size: 6m wide x 3m projection. Includes remote control.	1	£ 6,302.00
------------------------	--	---	------------



Electrical works not included

Discount	£ 945.30
Subtotal	£ 5,356.70
GST	£ 267.84
Total	£ 5,624.54
Paid amount	£ 0.00
Total amount	£ 5,624.54

Terms: 50% deposit due with order, 50% on completion

**** To go ahead with this quote please make deposit payment. To pay by card call us on 01534 768141 ****

Direct Deposit - Sort Code: 60-12-03 Account: 66577772

If you have any queries please call us on 01534 768141 or visit our showroom Rue des Pres Trading Estate St Saviour

**** For Our Terms & Conditions of Sale please go to www.cpinteriors.je ****

Please note: This quotation is only valid for acceptance for 7 days. Our estimate does not include any electrical work or additional carpentry work to install the above unless otherwise specified. Please note there is a handling charge on customer own fabric of £7.50 per metre. Due to high costs of labour, pre-arranged missed fitting appointments will be charged on a time-wasted basis. Settlement is due on completion of works and an administration charge of £25 will be added per month if unpaid within 30 days. We reserve the right to charge for design, advice and liaison work carried out should an order not be placed. Goods remain the property of CP Interiors until full settlement is received. Should payment not be received we reserve the right to attend premises during working hours to remove goods and not be required to make good. Our full terms and conditions apply and are available on request.



CP INTERIORS

QUOTE

To:
Tristan & Claire Job
5 Clos Des Ormes
La Vert Rue
St Lawrence
JE3 1JJ

Job Number: SO17824 Q1

Quote Date: Wednesday 15 Apr 2026

Customer Reference:
Awning

Deposit required: £ 2,812.27

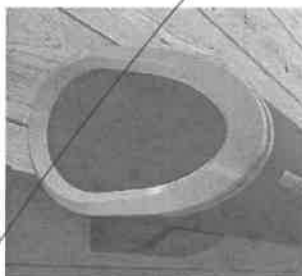
Your Contact: Tamara

Our Price Promise to you

We are so confident our pricing is competitive, that we will beat any written quotation for equivalent product by 5%

To supply and fit unless otherwise stated.

Location	Product	Description	Qty	Price
		OPTION 1: Semina Life 6m x 3m		
	Awning / Canopy	Weinor Semina Life electrically operated awning with full cassette (no valance) and vibration sensor, powder coated in one of the standard colours available, in one of the My Weinor Collection acrylic fabrics. Somfy io Motor side TBC. Size: 6m wide x 3m projection. Includes remote control.	1	£ 6,302.00



Electrical works not included

Discount	£ 945.30
Subtotal	£ 5,356.70
GST	£ 267.84
Total	£ 5,624.54
Paid amount	£ 0.00
Total amount	£ 5,624.54

Terms: 50% deposit due with order, 50% on completion

**** To go ahead with this quote please make deposit payment. To pay by card call us on 01534 768141 ****

Direct Deposit - Sort Code: 60-12-03 Account: 66577772

If you have any queries please call us on 01534 768141 or visit our showroom Rue des Pres Trading Estate St Saviour

**** For Our Terms & Conditions of Sale please go to www.cpinteriors.je ****

Please note: This quotation is only valid for acceptance for 7 days. Our estimate does not include any electrical work or additional carpentry work to install the above unless otherwise specified. Please note there is a handling charge on customer own fabric of £7.50 per metre. Due to high costs of labour, pre-arranged missed fitting appointments will be charged on a time-wasted basis. Settlement is due on completion of works and an administration charge of £25 will be added per month if unpaid within 30 days. We reserve the right to charge for design, advice and liaison work carried out should an order not be placed. Goods remain the property of CP Interiors until full settlement is received. Should payment not be received we reserve the right to attend premises during working hours to remove goods and not be required to make good. Our full terms and conditions apply and are available on request.



CP INTERIORS

QUOTE

Not interested for now
Will look into it again
next year. 20/11/24
(email)

To: Tristan & Claire Job
5 Clos Des Ormes
La Vert Rue
St Lawrence
JE3 1JJ

Job Number: SO16319

Customer Reference: Awning Option Semina Life

Quote Date: Wednesday 13 Nov 2024

Deposit required: £ 2,710.97

Your Contact: Tamara

Our Price Promise to you
We are so confident our pricing is competitive, that we will beat any written quotation for equivalent product by 5%

To supply and fit unless otherwise stated.

Location	Product	Description	Qty	Price
Deck	Awning / Canopy	Weinor Semina Life electrically operated awning with full cassette and vibration sensor, powder coated in one of the standard colours available, and in one of the My Collection fabrics. Motor side TBC. Size 6m wide x 3m projection. Includes remote. Electrical works not included.,	1	£ 6,075.00

Terms: 50% deposit due with order, 50% on completion

**** To go ahead with this quote please make deposit payment. To pay by card call us on 01534 768141 ****

Direct Deposit - Sort Code: 60-12-03 Account: 66577772

If you have any queries please call us on 01534 768141 or visit our showroom Rue des Pres Trading Estate St Saviour

**** For Our Terms & Conditions of Sale please go to www.cpinteriors.je ****

Discount	£ 911.25
Subtotal	£ 5,163.75
GST	£ 258.19
Total	£ 5,421.94
Paid amount	£ 0.00
Total amount	£ 5,421.94

Please note: This quotation is only valid for acceptance for 7 days. Our estimate does not include any electrical work or additional carpentry work to install the above unless otherwise specified. Please note there is a handling charge on customer own fabric of £7.50 per metre. Due to high costs of labour, pre-arranged missed fitting appointments will be charged on a time-wasted basis. Settlement is due on completion of works and an administration charge of £25 will be added per month if unpaid within 30 days. We reserve the right to charge for design, advice and liaison work carried out should an order not be placed. Goods remain the property of CP Interiors until full settlement is received. Should payment not be received we reserve the right to attend premises during working hours to remove goods and not be required to make good. Our full terms and conditions apply and are available on request.

2026 :
15% discount on Seura
10% discount on Cassita





CP INTERIORS

QUOTE

To:
Tristan & Claire Job
5 Clos Des Ormes
La Vert Rue
St Lawrence
JE3 1JJ

Job Number: SO16319Q1

Customer Reference:
Awning Option Cassita II

Quote Date: Wednesday 13 Nov 2024

Deposit required: £ 2,447.24

Your Contact: Tamara

Our Price Promise to you

We are so confident our pricing is competitive, that we will beat any written quotation for equivalent product by 5%

To supply and fit unless otherwise stated.

Location	Product	Description	Qty	Price
Deck	Awning / Canopy	Weinor Cassita II electrically operated awning with full cassette and vibration sensor, powder coated in one of the standard colours available, and in one of the My Collection fabrics. Motor side TBC. Size 5.5m wide x 3m projection. Includes remote. Electrical works not included.,	1	£ 5,484.00

Terms: 50% deposit due with order, 50% on completion

**** To go ahead with this quote please make deposit payment. To pay by card call us on 01534 768141 ****

Direct Deposit - Sort Code: 60-12-03 Account: 66577772

If you have any queries please call us on 01534 768141 or visit our showroom
Rue des Pres Trading Estate St Saviour

**** For Our Terms & Conditions of Sale please go to www.cpinteriors.je ****

Discount	£ 822.60
Subtotal	£ 4,661.40
GST	£ 233.07
Total	£ 4,894.47
Paid amount	£ 0.00
Total amount	£ 4,894.47

Please note: This quotation is only valid for acceptance for 7 days. Our estimate does not include any electrical work or additional carpentry work to install the above unless otherwise specified. Please note there is a handling charge on customer own fabric of £7.50 per metre. Due to high costs of labour, pre-arranged missed fitting appointments will be charged on a time-wasted basis. Settlement is due on completion of works and an administration charge of £25 will be added per month if unpaid within 30 days. We reserve the right to charge for design, advice and liaison work carried out should an order not be placed. Goods remain the property of CP Interiors until full settlement is received. Should payment not be received we reserve the right to attend premises during working hours to remove goods and not be required to make good. Our full terms and conditions apply and are available on request.



Reference/
Order no.

Order no.

Product

Order date

Delivery date

Job (SO16319)

Semina Life

11/11/2024

:

1 1x Semina Life

2,187.00 GBP



2 1x BiConnect

243.00 GBP



£6075

Configuration details

weinor Ltd 73 Cornhill EC3V 3QQ London

C P Interiors

**Rue Des Pres Trading Estate
GB-JE2 7QN St Saviour Jersey**

reference: Job
Your order no.: SO16319
weinor customernumber: 165708
creation Date: 11.11.2024
weinor pers. in charge: William Abbott
phone / fax number: +49-221-59709-472
representat.: Chris Spickett
tel (representat.): 0044 (0) 7894443907

pos	quantity	article	price
1	1	weinor Semina Life	3.645,00

Product use	: private house		
width [cm]	: 600 cm		
Projection [cm]	: 300 cm		3.451,00
Basic colour	: WT029/90146 Approx. RAL 9006 Metallic		
Colour of the head plate cover and of the front profile endcaps.	: standard		
Folding arm design	: Arm with LongLife technology and high-tech belt		
no. of arms	: 2 arms		
insulation [mm]	: 0 mm		
bracket type 1	: wall bracket 250 complete		
number of brackets 1	: 2 Piece		120,00
Bracket type 2	: center wall bracket 250 complete		
number of brackets 2	: 1 Piece		60,00
FB1 Force 1 per fixing point	: 3582 N		
M = Torque per folding arm	: 845 Nm		
bracket position left 1st array	: 600 mm, displacement range from 500 mm to 700 mm		
bracket position center 1st array	: 3000 mm		
bracket position right 1st array	: 600 mm, displacement range from 500 mm to 700 mm		
type of control	: engine		
Side of control (seen from the front)	: Left		
With remote control BiConnect	: Yes! Please remind the separate order!		
Information on BiConnect	: The BiConnect has been done in 504085789 position 2!		
Type of engine	:		
Hirschmann plug?	: Hirschmann plug not assembled		14,00
real-design	: WE3-633		

weinor Ltd
73 Cornhill
GB-EC3V 3QQ London
weinor.com

Managing Director:
Tim Földner
General partner:
Weinor Beteiligungs-GmbH
Köln

VAT no.: 335 2381 16
Company no.: 12193066
UTR no.: 33431 24084
EORI no.: GB335238116000

Domestic transfers:
Commerzbank London
Sort Code: 406201
Account Number: 307 537 10

International transfers:
Commerzbank London
IBAN: GB51 COBA 4062 0130 7537 10
Swift: MIDLGB22 a/c COBAGB2X

Configuration details

weinor Ltd 73 Cornhill EC3V 3QQ London

customer: 165708 reference: Job Page 2 of 2

pos	quantity	article	price
		colour of thread Saba : RAL 7001 Silver grey	
		Glue fabric? : no, sewn fabric	
		Cardboard container : edges reinforcement	
		weight : 105 kg	

	value of goods	discount amount / %	net
	3.645,00	1.458,00 / 40,00	2.187,00

2	1	weinor BiConnect	405,00
---	---	------------------	--------

deliver BiConnect separate?	: No; supply receiver and handheld remote control with awning		
shipment info	: The pre set receivers (except LED) and the handset will be packed with contract number 504085789 pos 1!		
Receiver for motor/ control	: 1 BiRec MA, basic		123,00
learned on channel 1	: weinor BiConnect BiEasy 1M silver		110,00
No. of BiSens Agido-3V	: BiRec MA-K, basic for order 504085789/1: Semina Life engine left		
	: 1 Piece		172,00

	value of goods	discount amount / %	net
	405,00	162,00 / 40,00	243,00

value of goods GBP	discount amount	net GBP	VAT (0 %)	Total GBP
4.050,00	1.620,00	2.430,00	0,00	2.430,00

Reference/
Order no.

Order no. Product

Order date Delivery date

Job (SO16319Q1)

Cassita II

11/11/2024

1 1x Cassita II

1,950.60 GBP

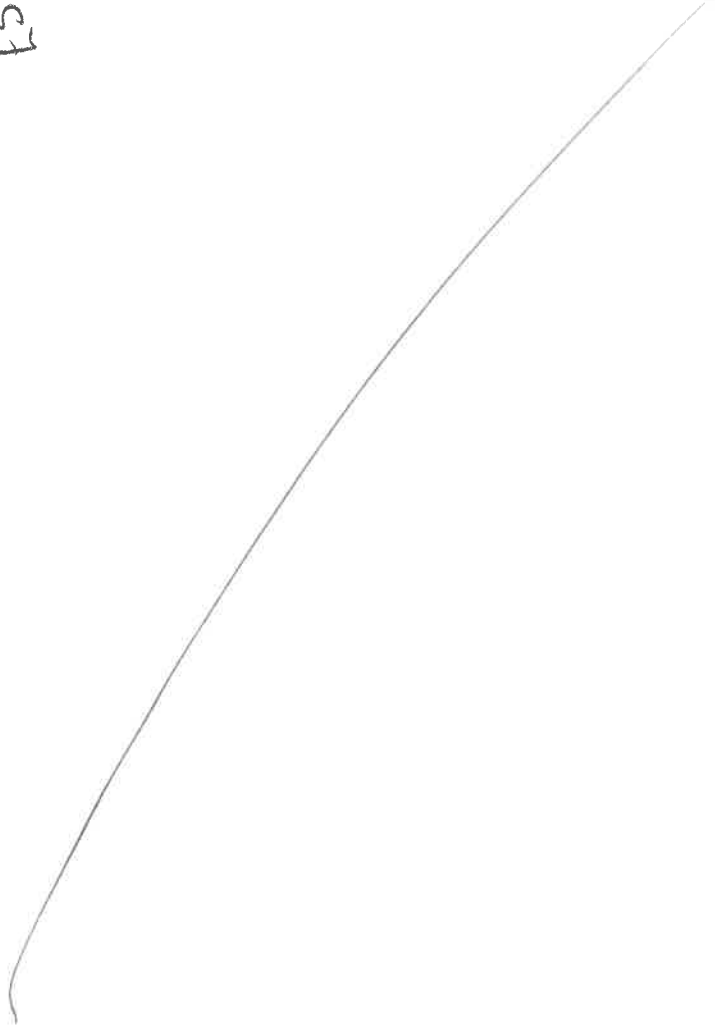


2 1x BiConnect

243.00 GBP



£5484



Configuration details

weinor Ltd 73 Cornhill EC3V 3QQ London

C P Interiors

**Rue Des Pres Trading Estate
GB-JE2 7QN St Saviour Jersey**

reference: Job
Your order no.: SO16319Q1
weinor customernumber: 165708
creation Date: 11.11.2024
weinor pers. in charge: William Abbott
phone / fax number: +49-221-59709-472
representat.: Chris Spickett
tel (representat.): 0044 (0) 7894443907

pos	quantity	article	price
1	1	weinor Cassita II	3.251,00
Product use : private house width [cm] : 550 cm Projection [cm] : 300 cm Basic colour : WT029/90146 Approx. RAL 9006 Metallic no. of arms : 2 Piece insulation [mm] : 0 mm bracket type 1 : wall fixing number of brackets 1 : 2 Piece FB1 Force 1 per fixing point : 3374 N M = Torque per folding arm : 607 Nm bracket position left [mm] : 90 mm bracket position right [mm] : 90 mm arm position left : 58 mm arm position right : 58 mm type of control : engine Side of control (seen from the front) : Left With remote control BiConnect : Yes! Please remind the separate order! Information on BiConnect : The BiConnect has been done in 504085804 position 2! electrical engine connection : 112865-0000 Kabel 4G0.75 L400 STAS3/C-Plug Hirschmann plug? : Hirschmann plug not assembled Type of engine : real-design : WE3-617 colour of thread Saba : RAL 7001 Silver grey Cardboard container : edges reinforcement weight : 70 kg			
			3.177,00
			60,00
			14,00

weinor Ltd
73 Cornhill
GB-EC3V 3QQ London
weinor.com

Managing Director:
Tim Földner
General partner:
Weinor Beteiligungs-GmbH
Köln

VAT no.: 335 238116
Company no.: 12193066
UTR no.: 33431 24084
EORI no.: GB335238116000

Domestic transfers:
Commerzbank London
Sort Code: 406201
Account Number: 307 537 10

International transfers:
Commerzbank London
IBAN: GB51 COBA 4062 0130 7537 10
Swift: MIDLGB22 a/c COBAGB2X

Configuration details

weinor Ltd 73 Cornhill EC3V 3QQ London

customer: 165708 reference: Job Page 2 of 2

pos	quantity	article	value of goods	discount amount / %	net
			3.251,00	1.300,40 / 40,00	1.950,60

2	1	weinor BiConnect			405,00
---	---	------------------	--	--	--------

deliver BiConnect separate?	: No; supply receiver and handheld remote control with awning	
shipment info	: The pre set receivers (except LED) and the handset will be packed with contract number 504085804 pos 1!	
Receiver for motor/control	: 1 BiRec MA, basic	123,00
learned on channel 1	: weinor BiConnect BiEasy 1M silver	110,00
No. of BiSens Agido-3V	: weinor BiConnect BiRec MA with black cable for order 504085804/1: Cassita II engine left	
	: 1 Piece	172,00

	value of goods	discount amount / %	net
	405,00	162,00 / 40,00	243,00

value of goods GBP	discount amount	net GBP	VAT (0 %)	Total GBP
3.656,00	1.462,40	2.193,60	0,00	2.193,60

weinor Ltd
73 Cornhill
GB-EC3V 3QQ London
weinor.com

Managing Director:
Tim Földner
General partner:
Weinor Beteiligungs-GmbH
Köln

VAT no.: 335 2381 16
Company no.: 12193066
UTR no.: 33431 24084
EORI no.: GB335238116000

Domestic transfers:
Commerzbank London
Sort Code: 406201
Account Number: 307 537 10

International transfers:
Commerzbank London
IBAN: GB51 COBA 4062 0130 7537 10
Swift: MIDLGB22 a/c COBAGB2X

Work Diary

Staff Name: Adrian

Order No: SO16299 Measurer or Fitter: Measurer Contact Address: Mr & Mrs. Tristan & Claire Job, 5 Clos Des Ormes, La Vert Rue, St Lawrence, JE3 1JJ, 07797795096 Customer Ref: Date: 08-11-2024 Time: 09:30

Notes: 2 x roller & amp; 1 x awning (Tristan is at TSA & amp; was at Godel archi)

Location	Supplier	Blind Type /Description	Colour	Qty	Width	Drop	Fitting Height	Blind/Recess	Controls	Brackets	Surface	Unit Price
Kitchen		Roller	TBA	1	1950	2140		cls	RHK	Free		
		+ Full cassette	opaque									
		inlets										
		awning										
		2-ton										
		Reverte										
"		"	"	1	1930	1200		cls	RHK	Free		
		Awning		1	6000	3000						
		sp. Semjma 110										
		<u>OR</u>										
		<u>CASSETTA II</u>		1	5500	3000						
		<u>OR</u>										
									Architect			
									discount			
									to AM			
												1590

Comments:

Order Date:

Customer Signature: _____

I have checked and agree with the above choices

Target Fitting Date:

SO16299

SO17824

