



CP INTERIORS

QUOTE

To:
Mr & Mrs Stella Michael
6 Le Clos Ahier
La Rue Du Froid Vent
St Saviour
JE2 7LJ

Job Number: SO17804 Q1
Customer Reference:
Awning

Quote Date: Thursday 16 Apr 2026
Deposit required: £ 2,357.25
Your Contact: Tamara

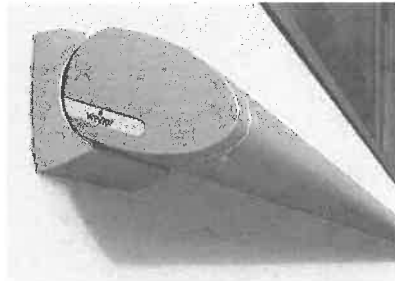
Our Price Promise to you

We are so confident our pricing is competitive, that we will beat any written quotation for equivalent product by 5%

To supply and fit unless otherwise stated.

Location	Product	Description	Qty	Price
	Awning / Canopy	Weinor Cassita II electrically operated awning with full cassette (no valance) and vibration sensor, powder coated in WT029/60740 Marrone Metallic, in A 3-848 Ocean. Somfy io Motor on the left-hand side. Size: 3.4m wide x 2.5m projection. Includes remote control.	1	£ 4,490.00

£3,852



Electrical works not included

Weinor Special Offer: If you order before the 30th of April 2026, a special £638 discount for motorisation will be applied

Terms: 50% deposit due with order, 50% on completion

**** To go ahead with this quote please make deposit payment. To pay by card call us on 01534 768141 ****

Direct Deposit - Sort Code: 60-12-03 Account: 66577772

If you have any queries please call us on 01534 768141 or visit our showroom Rue des Pres Trading Estate St Saviour

**** For Our Terms & Conditions of Sale please go to www.cpinteriors.je ****

Subtotal	£ 4,490.00
GST	£ 224.50
Total	£ 4,714.50
Paid amount	£ 0.00
Total amount	£ 4,714.50

£4,045.60

Please note: This quotation is only valid for acceptance for 7 days. Our estimate does not include any electrical work or additional carpentry work to install the above unless otherwise specified. Please note there is a handling charge on customer own fabric of £7.50 per metre. Due to high costs of labour, pre-arranged missed fitting appointments will be charged on a time-wasted basis. Settlement is due on completion of works and an administration charge of £25 will be added per month if unpaid within 30 days. We reserve the right to charge for design, advice and liaison work carried out should an order not be placed. Goods remain the property of CP Interiors until full settlement is received. Should payment not be received we reserve the right to attend premises during working hours to remove goods and not be required to make good. Our full terms and conditions apply and are available on request.





weinor Ltd 73 Cornhill EC3V 3QQ London

C P Interiors

**Rue Des Pres Trading Estate
GB-JE2 7QN St Saviour Jersey**

delivery address

DSV Road Ltd
(NO UPS)
10 Brunel Way, Segensworth Industrial Estate
GB-PO15 5TX Hampshire, Fareham
NO UPS

ORDER CONFIRMATION (release 1)

sales order no.: 202964523 of 21.04.2026
customer: 165708
reference: Michael
Your order no.: SO17804
contact person: William Abbott
E-Mail: WAbbott@weinor.de
phone number: +49-221-59709-472
representat. 654 Chris Spickett
tel (representat.): 0044 (0) 7894443907

pos	quantity	article code
-----	----------	--------------

2	1,00	1308	Cassita II spring campaign
---	------	------	----------------------------

Anticipated delivery	:	18.05.2026	
width [cm]	:	340	cm
Projection [cm]	:	250	cm 2.506,00
Basic colour	:	WT029/60740 Marrone 04 Metallic	
Anzahl Arme	:	2	Piece
remote control type required	:	Somfy io control including Situo io Pure handset and Sunea io motor upgrade	
insulation [mm]	:	0	mm
bracket type 1	:	wall fixing	
number of brackets 1	:	2	Piece 62,00

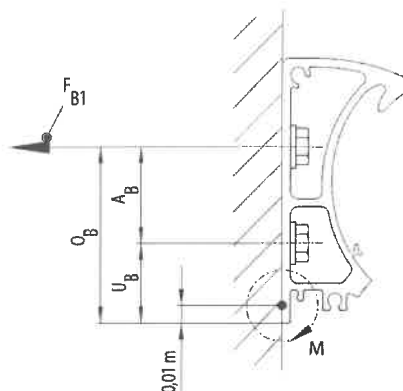
weinor Ltd
73 Cornhill
GB-EC3V 3QQ London
weinor.com

Managing Director:
Tim Földner
General partner:
Weinor Beteiligungs-GmbH
Köln

VAT no.: 335 2381 16
Company no.: 12193066
UTR no.: 33431 24084
EORI no.: GB335238116000

Domestic transfers:
Commerzbank London
Sort Code: 406201
Account Number: 307 537 10

International transfers:
Commerzbank London
IBAN: GB51 COBA 4062 0130 7537 10
Swift: MIDLGB22 a/c COBAGB2X



Force 1 means the pull-out force per upper fastener F(B).

FB1 Force 1 per fixing point	: 1621	N
M = Torque per folding arm	: 292	Nm

Please note that your selected awning configuration results in the following forces per upper fixing point (pull-out, lateral and/or shear forces). These must be accounted for by using suitable fixings.

bracket position left [mm]	: 90	mm
bracket position right [mm]	: 90	mm
arm position left	: 58	mm
arm position right	: 58	mm
type of control	: Remote-controlled motor IO Homecontrol	
Side of control (seen from the front)	: left	
control	: hand transmitter Situo 5 io II by weinor	
Type of engine	: Motor Sfy Sunea50 io 40/17 ohne Zubehör	
Somfy radio wind sensor io	: with Somfy Eolis 3D WireFree io; black housing	
real-design	: WE3-848	ocean, my collections 2
Glue fabric?	: no, sewn fabric	
colour of thread Saba	: dark blue	
Cardboard container	: edges reinforcement	
weight	: 49	kg



weinor Ltd 73 Cornhill EC3V 3QQ London

customer: 165708 sales order 202964523

Page 3 of 4

pos quantity article code

value of goods	discount amount / %	net
2.568,00	1.027,20 / 40,00	1.540,80

999 1,00 127887-0000 net material cost surcharge

price per unit : 0

value of goods	discount amount / %	net
0,00	0,00 / 0,00	0,00

value of goods	discount amount	net	VAT (0 %)	Total GBP
2.568,00	1.027,20	1.540,80	0,00	1.540,80

weinor Ltd
73 Cornhill
GB-EC3V 3QQ London
weinor.com

Managing Director:
Tim Fuldner
General partner:
Weinor Beteiligungs-GmbH
Köln

VAT no.: 335 2381 16
Company no.: 12193066
UTR no.: 33431 24084
EORI no.: GB335238116000

Domestic transfers:
Commerzbank London
Sort Code: 406201
Account Number: 307 537 10

International transfers:
Commerzbank London
IBAN: GB51 COBA 4062 0130 7537 10
Swift: MIDLGB22 a/c COBAGB2X

Our spoken and written advice focuses on an explanation of the best possible use of our products and services. It does not liberate you from the obligation to check fitness of our products and services for your particular purpose. That includes the inspection of the general condition and especially maximum capacity load of fixing base as well as forwarding all respective information in addition to your order to weinor. That way delivery of the correct type and number of brackets is guaranteed. If our product can not be used as upon agreement due to false or lacking information we or any auxiliary person do accept contractual or non-contractual liabilities only in case of malicious intent or gross negligence.

In order to mount all brackets corresponding their fixing base you will need suitable mounting systems. For mounting on concrete C20/25 we recommend heavy duty anchor-systems from fischer (e.g. FAZ II M12/10 GS or FAZ II M12/30 GS). In case of mounting on any other base referred to in our pricelist or on frontal concrete ceiling we recommend the use of injection systems from fischer (e.g. FIS V 360 S). You can order them directly from us.

If you use a different mounting system or your own brackets, you will need a table of pull-out resistance of screw anchors in order to determine the working load.

In addition, our General Terms of Delivery and Payment as per 01/2024, published under the link provided below are valid and we are happy to provide you with them free of charge upon request.

<https://www.weinor.com/terms-and-conditions/>

delivery exw Cologne
payment: With direct debit 5% discount payment
mode of dispatch UK export / self collecting

Configuration details

weinor Ltd 73 Cornhill EC3V 3QQ London

C P Interiors

Rue Des Pres Trading Estate
GB-JE2 7QN St Saviour Jersey

reference: Michael
Your order no.: SO17804
weinor customernumber: 165708
creation Date: 20.04.2026
weinor pers. in charge: William Abbott
phone / fax number: +49-221-59709-472
representat.: Chris Spickett
tel (representat.): 0044 (0) 7894443907

pos	quantity	article	price
2	1	weinor Cassita II spring campaign	2.568,00
		width (cm) : 340 cm ✓	
		Projection [cm] : 250 cm ✓	2.506,00
		Base colour : WT029/60740 Marrone 04 Metallic	
		no. of arms : 2 Piece	
		Bonus selection : Somfy io control including Situo io Pure handset and Sunea io motor upgrade	
		insulation [mm] : 0 mm	
		bracket type 1 : wall fixing	
		number of brackets 1 : 2 Piece	62,00
		FB1 Force 1 per fixing point : 1621 N	
		Torque per folding arm [Nm] : 292 Nm	
		bracket position left [mm] : 90 mm	
		bracket position right [mm] : 90 mm	
		arm position left : 58 mm	
		arm position right : 58 mm	
		type of control : Remote-controlled motor IO Homecontrol	
		Side of control (seen from the front) : left ✓	
		control : hand transmitter Situo 5 io II by weinor	
		type of motor : Motor Sfy Sunea50 io 40/17 ohne Zubehör ✓	
		Somfy radio wind sensor io : with Somfy Eolis 3D WireFree io; black housing ✓	
		real-design : WE3-848 ✓	
		Glue fabric? : no, sewn fabric	
		colour of thread Saba : dark blue	
		Cardboard packaging : edges reinforcement	
		weight : 49 kg	

weinor Ltd
73 Cornhill
GB-EC3V 3QQ London
weinor.com

Managing Director:
Tim Fuldner
General partner:
Weinor Beteiligungs-GmbH
Köln

VAT no.: 335 2381 16
Company no.: 12193066
UTR no.: 33431 24084
EORI no.: GB335238116000

Domestic transfers:
Commerzbank London
Sort Code: 406201
Account Number: 307 537 10

International transfers:
Commerzbank London
IBAN: GB51 COBA 4062 0130 7537 10
Swift: MIDLGB22 a/c COBAGB2X



Configuration details

weinor Ltd 73 Cornhill EC3V 3QQ London

customer: 165708 reference: Michael Page 2 of 2

pos	quantity	article			price
-----	----------	---------	--	--	-------

	value of goods	discount amount / %	net
	2.568,00	1.027,20 / 40,00	1.540,80

999	1	weinor Netto-Materialkostenzuschlag			0,00
-----	---	-------------------------------------	--	--	------

price per unit 0

	value of goods	discount amount / %	net
	0,00	0,00 / 0,00	0,00

value of goods GBP	discount amount	net GBP	VAT (0 %)	Total GBP
2.568,00	1.027,20	1.540,80	0,00	1.540,80



Configuration details

weinor Ltd 73 Cornhill EC3V 3QQ London

C P Interiors

Rue Des Pres Trading Estate
GB-JE2 7QN St Saviour Jersey

reference: Michael
Your order no.: SO17804
weinor customernumber: 165708
creation Date: 16.04.2026
weinor pers. in charge: William Abbott
phone / fax number: +49-221-59709-472
representat.: Chris Spickett
tel (representat.): 0044 (0) 7894443907

pos	quantity	article	price
1	1	weinor Cassita II	2.993,00
		width (cm) : 340 cm	
		Projection [cm] : 250 cm	2.506,00
		Base colour : WT029/60740 Marrone 04.Metallic	
		no. of arms : 2 Piece	
		insulation [mm] : 0 mm	
		bracket type 1 : wall fixing	
		number of brackets 1 : 2 Piece	62,00
		FB1 Force 1 per fixing point : 1621 N	
		Torque per folding arm [Nm] : 292 Nm	
		bracket position left [mm] : 90 mm	
		bracket position right [mm] : 90 mm	
		arm position left : 58 mm	
		arm position right : 58 mm	
		type of control : Remote-controlled motor IO Homecontrol	143,00
		Side of control (seen from the front) : left	
		Hirschmann plug? : without Hirschmann plug	
		control : hand transmitter Situo 1 io II by weinor	75,00
		type of motor : Motor Sfy Sunea50 io 40/17 ohne Zubehör	
		Somfy radio wind sensor io : with Somfy Eolis 3D WireFree io; black housing	207,00
		real-design : WE3-848	
		colour of thread Saba : dark blue	
		Cardboard packaging : edges reinforcement	
		weight : 49 kg	

weinor Ltd
73 Cornhill
GB-EC3V 3QQ London
weinor.com

Managing Director:
Tim Földner
General partner:
Weinor Beteiligungs-GmbH
Köln

VAT no.: 335 2381 16
Company no.: 12193066
UTR no.: 33431 24084
EORI no.: GB335238116000

Domestic transfers:
Commerzbank London
Sort Code: 406201
Account Number: 307 537 10

International transfers:
Commerzbank London
IBAN: GB51 COBA 4062 0130 7537 10
Swift: MIDLGB22 a/c COBAGB2X

Configuration details

weinor Ltd 73 Cornhill EC3V 3QQ London

customer: 165708 reference: Michael

Page 2 of 3

pos	quantity	article	value of goods	discount amount / %	net price
			2.993,00	1.197,20 / 40,00	1.795,80

£4,490

Configuration details

weinor Ltd 73 Cornhill EC3V 3QQ London

customer: 165708 reference: Michael

Page 3 of 3

pos	quantity	article	price
-----	----------	---------	-------

2	1	weinor Cassita II spring campaign	2.568,00
---	---	-----------------------------------	----------

width (cm)	: 340 cm		
Projection [cm]	: 250 cm		2.506,00
Base colour	: WT029/60740 Marrone 04 Metallic		
no. of arms	: 2 Piece		
Bonus selection	: Somfy io control including Situo io Pure handset and Sunea io motor upgrade		
insulation [mm]	: 0 mm		
bracket type 1	: wall fixing		
number of brackets 1	: 2 Piece		62,00
FB1 Force 1 per fixing point	: 1621 N		
Torque per folding arm [Nm]	: 292 Nm		
bracket position left [mm]	: 90 mm		
bracket position right [mm]	: 90 mm		
arm position left	: 58 mm		
arm position right	: 58 mm		
type of control	: Remote-controlled motor IO Homecontrol		
Side of control (seen from the front)	: left		
control	: hand transmitter Situo 5 io II by weinor		
type of motor	: Motor Sfy Sunea50 io 40/17 ohne Zubehör		
Somfy radio wind sensor io	: with Somfy Eolis 3D WireFree io; black housing		
real-design	: WE3-848		
Glue fabric?	: no, sewn fabric		
colour of thread Saba	: dark blue		
Cardboard packaging	: edges reinforcement		
weight	: 49 kg		

value of goods	discount amount / %	net
2.568,00	1.027,20 / 40,00	1.540,80

£3,852

value of goods GBP	discount amount	net GBP	VAT (0 %)	Total GBP
5.561,00	2.224,40	3.336,60	0,00	3.336,60

£638 discount

weinor Ltd
73 Cornhill
GB-EC3V 3QQ London
weinor.com

Managing Director:
Tim Földner
General partner:
Weinor Beteiligungs-GmbH
Köln

VAT no.: 335 2381 16
Company no.: 12193066
UTR no.: 33431 24084
EORI no.: GB335238116000

Domestic transfers:
Commerzbank London
Sort Code: 406201
Account Number: 307 537 10

International transfers:
Commerzbank London
IBAN: GB51 COBA 4062 0130 7537 10
Swift: MIDLGB22 a/c COBAGB2X

