

weinor Ltd 73 Cornhill EC3V 3QQ London

C P Interiors

**Rue Des Pres Trading Estate
GB-JE2 7QN St Saviour Jersey**

delivery address

DSV Road Ltd
(NO UPS)
10 Brunel Way, Segensworth Industrial Estate
GB-PO15 5TX Hampshire, Fareham
NO UPS

ORDER CONFIRMATION (release 1)

sales order no.: 202961282 of 08.04.2026
customer: 165708
reference: Smith
Your order no.: SO157796Q2
contact person: William Abbott
E-Mail: WAbbott@weinor.de
phone number: +49-221-59709-472
representat. 654 Chris Spickett
tel (representat.): 0044 (0) 7894443907

pos	quantity	article code	
-----	----------	--------------	--

1	1,00	1894	Opal Design II LED
---	------	------	--------------------

expected delivery date	: 27.04.2026		
width (cm)	: 600	cm	
Projection [cm]	: 350	cm	4.867,00
Base colour	: WT029/60740 Marrone 04 Metallic		
Folding arm design	: Arm with LongLife technology and high-tech belt		
Number of lamps (total)	: 10	Piece	
no. of arms	: 2	arms	
insulation [mm]	: 0	mm	
bracket type 1	: wall fixing 150 mm Opal Design II		
number of brackets 1	: 3	Piece	126,00

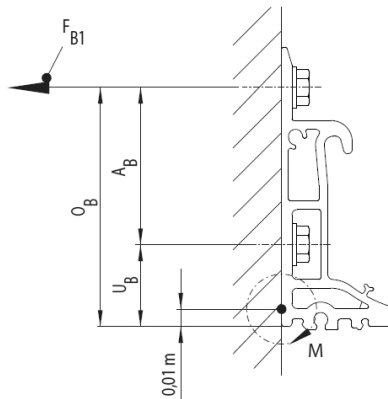
weinor Ltd
73 Cornhill
GB-EC3V 3QQ London
weinor.com

Managing Director:
Tim Fuldner
General partner:
Weinor Beteiligungs-GmbH
Köln

VAT no.: 335 2381 16
Company no.: 12193066
UTR no.: 33431 24084
EORI no.: GB335238116000

Domestic transfers:
Commerzbank London
Sort Code: 406201
Account Number: 307 537 10

International transfers:
Commerzbank London
IBAN: GB51 COBA 4062 0130 7537 10
Swift: MIDLGB22 a/c COBAGB2X



Force 1 means the pull-out force per upper fastener F(B).

FB1 Force 1 per fixing point	: 4284	N
Torque per folding arm [Nm]	: 1088	Nm

Please note that your selected awning configuration results in the following forces per upper fixing point (pull-out, lateral and/or shear forces). These must be accounted for by using suitable fixings.

bracket position left 1st array	: 61,5	cm
bracket position centre 1st array	: 300	cm
bracket position right 1st array	: 61,5	cm

type of control : engine

Side of control (seen from the front) : left

With remote control : Yes! Please remind the separate order!
BiConnectWith remote control
BiConnect

Information on BiConnect : The BiConnect has been done in 202961282 position 4!

light receiver : with remote-controlled receiver for lighting

lead cable : 118833-0000 Kabel 3G1 L4200 OE/AMP2

Hirschmann plug? : without Hirschmann plug

type of motor : Motor L50-17-E12-V1+ ohne Zubehör V2

real-design : WE3-717 my collections

colour of thread Saba : dunkelbeige

weinor Ltd 73 Cornhill EC3V 3QQ London

customer: 165708 sales order 202961282

Page 3 of 5

pos	quantity	article code
-----	----------	--------------

Glue fabric?	:	no, sewn fabric
Cardboard packaging	:	edges reinforcement
weight	:	102 kg

value of goods	discount amount / %	net
4.993,00	1.997,20 / 40,00	2.995,80

3	1,00	1950	Tempura
---	------	------	---------

Version	:	Tempura 1,5 KW	
expected delivery date	:	27.04.2026	
Utilisation	:	for type Opal	
width	:	50 cm	602,00
With remote control BiConnect	:	Yes! Please remind the separate order!	
Information on BiConnect	:	The BiConnect has been done in 202961282 position 4!	
designer receiver bar 370 mm handling	:	yes	51,00
	:	Birec remote receiver on/off only , not dimmable Please remember separate entry of data	
access	:	Hirschmann plug (standard)	
Base colour	:	WT029/60740 Marrone 04 Metallic	
	:		
weight	:	2 kg	

value of goods	discount amount / %	net
653,00	261,20 / 40,00	391,80

weinor Ltd
73 Cornhill
GB-EC3V 3QQ London
weinor.com

Managing Director:
Tim Fuldner
General partner:
Weinor Beteiligungs-GmbH
Köln

VAT no.: 335 2381 16
Company no.: 12193066
UTR no.: 33431 24084
EORI no.: GB335238116000

Domestic transfers:
Commerzbank London
Sort Code: 406201
Account Number: 307 537 10

International transfers:
Commerzbank London
IBAN: GB51 COBA 4062 0130 7537 10
Swift: MIDLGB22 a/c COBAGB2X

weinor Ltd 73 Cornhill EC3V 3QQ London

customer: 165708 sales order 202961282

Page 4 of 5

pos	quantity	article code
-----	----------	--------------

4	1,00	2557	BiConnect
---	------	------	-----------

expected delivery date : 27.04.2026

deliver BiConnect separate? : No; supply receiver and handheld remote control with awning

shipment info : The pre set receivers (except LED) and the handset will be packed with contract number 202961282 pos 1!

Receiver for motor/light	: 1	BiRec MLED, basic	447,00
--------------------------	-----	-------------------	--------

BiConnect BiRec On/Off	: 1	BiConnect BiRec On/Off	132,00
------------------------	-----	------------------------	--------

control	: weinor BiConnect BiEasy 5M black		99,00
---------	------------------------------------	--	-------

learned on channel 1	: BiRec MLED, basic	for order 202961282/1: Opal Design II LED engine left	
----------------------	---------------------	--	--

learned on channel 2	: BiRec MLED, basic	for order 202961282/1: Opal Design II LED	
----------------------	---------------------	--	--

learned on channel 3	: BiConnect BiRec On/Off	for order 202961282/3	
----------------------	--------------------------	-----------------------	--

No. of BiSens Agido-3V	: 1	Piece	179,00
------------------------	-----	-------	--------

value of goods	discount amount / %	net
857,00	342,80 / 40,00	514,20

value of goods	discount amount	net	VAT (0 %)	Total GBP
6.503,00	2.601,20	3.901,80	0,00	3.901,80

weinor Ltd
73 Cornhill
GB-EC3V 3QQ London
weinor.com

Managing Director:
Tim Fuldner
General partner:
Weinor Beteiligungs-GmbH
Köln

VAT no.: 335 2381 16
Company no.: 12193066
UTR no.: 33431 24084
EORI no.: GB335238116000

Domestic transfers:
Commerzbank London
Sort Code: 406201
Account Number: 307 537 10
International transfers:
Commerzbank London
IBAN: GB51 COBA 4062 0130 7537 10
Swift: MIDLGB22 a/c COBAGB2X

Our spoken and written advice focuses on an explanation of the best possible use of our products and services. It does not liberate you from the obligation to check fitness of our products and services for your particular purpose. That includes the inspection of the general condition and especially maximum capacity load of fixing base as well as forwarding all respective information in addition to your order to weinor. That way delivery of the correct type and number of brackets is guaranteed. If our product can not be used as upon agreement due to false or lacking information we or any auxiliary person do accept contractual or non-contractual liabilities only in case of malicious intent or gross negligence.

In order to mount all brackets corresponding their fixing base you will need suitable mounting systems. For mounting on concrete C20/25 we recommend heavy duty anchor-systems from fischer (e.g. FAZ II M12/10 GS or FAZ II M12/30 GS). In case of mounting on any other base referred to in our pricelist or on frontal concrete ceiling we recommend the use of injection systems from fischer (e.g. FIS V 360 S). You can order them directly from us.

If you use a different mounting system or your own brackets, you will need a table of pull-out resistance of screw anchors in order to determine the working load.

In addition, our General Terms of Delivery and Payment as per 01/2024, published under the link provided below are valid and we are happy to provide you with them free of charge upon request.

<https://www.weinor.com/terms-and-conditions/>

delivery exw Cologne
payment: With direct debit 5% discount payment
mode of dispatch UK export