

weinor Ltd 73 Cornhill EC3V 3QQ London

C P Interiors

**Rue Des Pres Trading Estate
GB-JE2 7QN St Saviour Jersey**

delivery address


DSV Road Ltd
(NO UPS)
10 Brunel Way, Segensworth Industrial Estate
GB-PO15 5TX Hampshire, Fareham
NO UPS

ORDER CONFIRMATION (release 1)

sales order no.: 202959169 of 26.03.2026
customer: 165708
reference: HENKHUZENS SO17669
Your order no.: SO17669
contact person: William Abbott
E-Mail: WAbbott@weinor.de
phone number: +49-221-59709-472
representat. 654 Chris Spickett
tel (representat.): 0044 (0) 7894443907

| pos | quantity | article code |
|-----|----------|--------------|
|-----|----------|--------------|

| | | |
|---|------|-----------------|
| 2 | 1,00 | 1303 Cassita II |
|---|------|-----------------|

| | | | |
|----------------------|--|-------|----------|
| Anticipated delivery | : 27.04.2026 | | |
| width [cm] | : 250 | cm | |
| Projection [cm] | : 200 | cm | 2.104,00 |
| Basic colour | : RAL 1015 light ivory | | |
| | :  | | |
| Anzahl Arme | : 2 | Piece | |
| insulation [mm] | : 0 | mm | |
| bracket type 1 | : wall fixing | | |
| number of brackets 1 | : 2 | Piece | 62,00 |

weinor Ltd
73 Cornhill
GB-EC3V 3QQ London
weinor.com

Managing Director:
Tim Fuldner
General partner:
Weinor Beteiligungs-GmbH
Köln

VAT no.: 335 2381 16
Company no.: 12193066
UTR no.: 33431 24084
EORI no.: GB335238116000

Domestic transfers:
Commerzbank London
Sort Code: 406201
Account Number: 307 537 10

International transfers:
Commerzbank London
IBAN: GB51 COBA 4062 0130 7537 10
Swift: MIDLGB22 a/c COBAGB2X

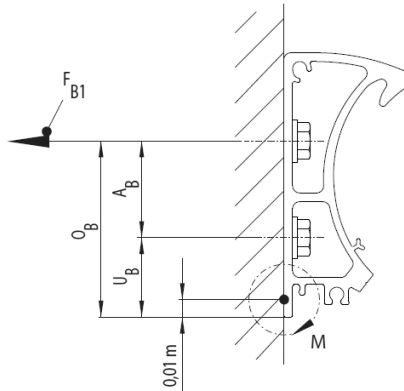


weinor Ltd 73 Cornhill EC3V 3QQ London

customer: 165708 sales order 202959169

Page 2 of 4


pos quantity article code



Force 1 means the pull-out force per upper fastener F(B).

FB1 Force 1 per fixing point : 849 N
 M = Torque per folding arm : 153 Nm

Please note that your selected awning configuration results in the following forces per upper fixing point (pull-out, lateral and/or shear forces). These must be accounted for by using suitable fixings.

| | | | |
|---------------------------------------|---|-----------------------------------|---------|
| bracket position left [mm] | : 90 | mm | |
| bracket position right [mm] | : 90 | mm | |
| arm position left | : 58 | mm | |
| arm position right | : 58 | mm | |
| type of control | : crank | | -258,00 |
| Side of control (seen from the front) | : left | | |
| length of handle | : 140 | cm | |
| real-design | : WE4-668 | cinnabar/copper, my collections 2 | |
| |  | | |
| colour of thread Saba | : kastanie | | |
| Cardboard container | : edges reinforcement | | |
| weight | : 39 | kg | |

| value of goods | discount amount / % | net |
|----------------|---------------------|----------|
| 1.908,00 | 763,20 / 40,00 | 1.144,80 |

weinor Ltd
 73 Cornhill
 GB-EC3V 3QQ London
 weinor.com

Managing Director:
 Tim Fuldner
 General partner:
 Weinor Beteiligungs-GmbH
 Köln

VAT no.: 335 2381 16
 Company no.: 12193066
 UTR no.: 33431 24084
 EORI no.: GB335238116000

Domestic transfers:
 Commerzbank London
 Sort Code: 406201
 Account Number: 307 537 10
International transfers:
 Commerzbank London
 IBAN: GB51 COBA 4062 0130 7537 10
 Swift: MIDLGB22 a/c COBAGB2X

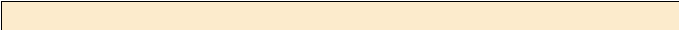


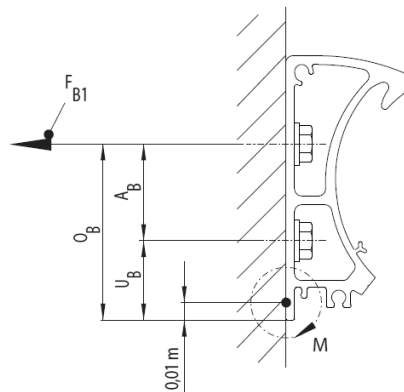
weinor Ltd 73 Cornhill EC3V 3QQ London

customer: 165708 sales order 202959169

Page 3 of 4

pos quantity article code

| | | | | | |
|----------------------|------|--|------------|--|----------|
| 3 | 1,00 | 1303 | Cassita II | | |
| Anticipated delivery | : | 27.04.2026 | | | |
| width [cm] | : | 250 | cm | | |
| Projection [cm] | : | 200 | cm | | 2.104,00 |
| Basic colour | : | RAL 1015 light ivory | | | |
| | : |  | | | |
| Anzahl Arme | : | 2 | Piece | | |
| insulation [mm] | : | 0 | mm | | |
| bracket type 1 | : | wall fixing | | | |
| number of brackets 1 | : | 2 | Piece | | 62,00 |



Force 1 means the pull-out force per upper fastener F(B).

| | | | |
|------------------------------|---|-----|----|
| FB1 Force 1 per fixing point | : | 849 | N |
| M = Torque per folding arm | : | 153 | Nm |

Please note that your selected awning configuration results in the following forces per upper fixing point (pull-out, lateral and/or shear forces). These must be accounted for by using suitable fixings.

| | | | |
|-----------------------------|---|----|----|
| bracket position left [mm] | : | 90 | mm |
| bracket position right [mm] | : | 90 | mm |
| arm position left | : | 58 | mm |
| arm position right | : | 58 | mm |

weinor Ltd
73 Cornhill
GB-EC3V 3QQ London
weinor.com

Managing Director:
Tim Fuldner
General partner:
Weinor Beteiligungs-GmbH
Köln

VAT no.: 335 2381 16
Company no.: 12193066
UTR no.: 33431 24084
EORI no.: GB335238116000


Domestic transfers:
Commerzbank London
Sort Code: 406201
Account Number: 307 537 10
International transfers:
Commerzbank London
IBAN: GB51 COBA 4062 0130 7537 10
Swift: MIDLGB22 a/c COBAGB2X

weinor Ltd 73 Cornhill EC3V 3QQ London

customer: 165708 sales order 202959169

Page 4 of 4

| pos | quantity | article code |
|-----|----------|--------------|
|-----|----------|--------------|

| | | | |
|---------------------------------------|---|--|-----------------------------------|
| type of control | : | crank | -258,00 |
| Side of control (seen from the front) | : | right | |
| length of handle | : | 160 | cm |
| real-design | : | WE4-668 | cinnabar/copper, my collections 2 |
| colour of thread Saba | : |  kastanie | |
| Cardboard container | : | edges reinforcement | |
| weight | : | 39 | kg |

| value of goods | discount amount / % | net |
|----------------|---------------------|----------|
| 1.908,00 | 763,20 / 40,00 | 1.144,80 |

| value of goods | discount amount | net | VAT (0 %) | Total GBP |
|-----------------|-----------------|-----------------|-------------|-----------------|
| 3.816,00 | 1.526,40 | 2.289,60 | 0,00 | 2.289,60 |

Our spoken and written advice focuses on an explanation of the best possible use of our products and services. It does not liberate you from the obligation to check fitness of our products and services for your particular purpose. That includes the inspection of the general condition and especially maximum capacity load of fixing base as well as forwarding all respective information in addition to your order to weinor. That way delivery of the correct type and number of brackets is guaranteed. If our product can not be used as upon agreement due to false or lacking information we or any auxiliary person do accept contractual or non-contractual liabilities only in case of malicious intent or gross negligence.

In addition, our General Terms of Delivery and Payment as per 01/2024, published under the link provided below are valid and we are happy to provide you with them free of charge upon request.

<https://www.weinor.com/terms-and-conditions/>

delivery exw Cologne
 payment: With direct debit 5% discount payment
 mode of dispatch UK export

weinor Ltd
 73 Cornhill
 GB-EC3V 3QQ London
 weinor.com

Managing Director:
 Tim Fuldner
 General partner:
 Weinor Beteiligungs-GmbH
 Köln

VAT no.: 335 2381 16
 Company no.: 12193066
 UTR no.: 33431 24084
 EORI no.: GB335238116000

Domestic transfers:
 Commerzbank London
 Sort Code: 406201
 Account Number: 307 537 10

International transfers:
 Commerzbank London
 IBAN: GB51 COBA 4062 0130 7537 10
 Swift: MIDLGB22 a/c COBAGB2X