



CP INTERIORS

QUOTE

To: Mrs. Bex Belhomme
Renaissance Boutique
26 Hill Street
St Helier
JE2 4SL

Job Number: SO17550 Q1

Quote Date: Tuesday 17 Feb 2026

Customer Reference: Awning

Deposit required: £ 2,397.36

Your Contact: Tamara

Our Price Promise to you
We are so confident our pricing is competitive, that we will beat any written quotation for equivalent product by 5%

To supply and fit unless otherwise stated.

Location	Product	Description	Qty	Price
	Awning / Canopy	Weinor Cassitta II electrically operated awning with full cassette, 300mm valance and vibration sensor, powder coated in WT029/80077 Metallic, in Dickson Orchestra ORC U170 120 Rose Pink (non-standard colour). Right-hand side motor. Size 4.7m wide x 1.2m projection. Includes remote control.	1	£ 5,463.00 <i>£4825</i>
		If ordered before the 30th of April a £638 discount for motorisation will be applied		
	Awning / Canopy	Signwriting - Renaissance Boutique in white (on valance only)	1	£ 145.00
		Electrical works not included		
	Town Parking Permit	Town Parking Permit	1	£ 100.00
		Town permit final cost TBC (£70-£100)		

Terms: 40% deposit due with order, 40% on delivery & final 20% on completion

**** To go ahead with this quote please make deposit payment. To pay by card call us on 01534 768141 ****

Direct Deposit - Sort Code: 60-12-03 Account: 66577772

If you have any queries please call us on 01534 768141 or visit our showroom Rue des Pres Trading Estate St Saviour

**** For Our Terms & Conditions of Sale please go to www.cpinteriors.je ****

Subtotal £ 5,708.00
GST £ 285.40
Total £ 5,993.40
Paid amount £ 0.00
Total amount £ 5,993.40

£5,323.50

Please note: This quotation is only valid for acceptance for 7 days. Our estimate does not include any electrical work or additional carpentry work to install the above unless otherwise specified. Please note there is a handling charge on customer own fabric of £7.50 per metre. Due to high costs of labour, pre-arranged missed fitting appointments will be charged on a time-wasted basis. Settlement is due on completion of works and an administration charge of £25 will be added per month if unpaid within 30 days. We reserve the right to charge for design, advice and liaison work carried out should an order not be placed. Goods remain the property of CP Interiors until full settlement is received. Should payment not be received we reserve the right to attend premises during working hours to remove goods and not be required to make good. Our full terms and conditions apply and are available on request.

weinor Ltd 73 Cornhill EC3V 3QQ London

C P Interiors

**Rue Des Pres Trading Estate
GB-JE2 7QN St Saviour Jersey**

delivery address

Torbay Blinds
(NO UPS)
Unit C2, Broomhill Way
GB-TQ2 7QL Torquay
NO UPS

ORDER CONFIRMATION (release 1)

sales order no.: 202952245 of 23.02.2026
customer: 165708
reference: valance/Renaissance/202952185
Your order no.:
contact person: William Abbott
E-Mail: WAbbott@weinor.de
phone number: +49-221-59709-472
representat.: 654 Chris Spickett
tel (representat.): 0044 (0) 7894443907

pos	quantity	article code
-----	----------	--------------

2	1,00	107127-0000	Subsequently send inscribed valance Achtung! volant vorab liefern 202952185
---	------	-------------	--

expected delivery date : 09.03.2026

Customer tour : 430

UK export

term of payment : 032

Direct debit / 3 days - 4%
cash discount

price per unit : 50

GBP / Stück

50,00

sales unit : Piece

value of goods	discount amount / %	net
50,00	50,00 / 100,00	0,00

value of goods	discount amount	net	VAT (0 %)	Total GBP
50,00	50,00	0,00	0,00	0,00

weinor Ltd
73 Cornhill
GB-EC3V 3QQ London
weinor.com

Managing Director:
Tim Földner
General partner:
Weinor Beteiligungs-GmbH
Köln

VAT no.: 335 2381 16
Company no.: 12193066
UTR no.: 33431 24084
EORI no.: GB335238116000

Domestic transfers:
Commerzbank London
Sort Code: 406201
Account Number: 307 537 10

International transfers:
Commerzbank London
IBAN: GB51 COBA 4062 0130 7537 10
Swift: MIDLGB22 a/c COBAGB2X

weinor Ltd 73 Cornhill EC3V 3QQ London

customer: 165708 sales order 202952245

Page 2 of 2

In addition, our General Terms of Delivery and Payment as per 01/2024, published under the link provided below are valid and we are happy to provide you with them free of charge upon request.

<https://www.weinor.com/terms-and-conditions/>

delivery exw Cologne
payment: Direct debit / 3 days - 4% cash discount
mode of dispatch UK export

weinor Ltd
73 Cornhill
GB-EC3V 3QQ London
weinor.com

Managing Director:
Tim Földner
General partner:
Weinor Beteiligungs-GmbH
Köln

VAT no.: 335 2381 16
Company no.: 12193066
UTR no.: 33431 24084
EORI no.: GB335238116000

Domestic transfers:
Commerzbank London
Sort Code: 406201
Account Number: 307 537 10

International transfers:
Commerzbank London
IBAN: GB51 COBA 4062 0130 7537 10
Swift: MIDLGB22 a/c COBAGB2X

weinor Ltd 73 Cornhill EC3V 3QQ London

C P Interiors

**Rue Des Pres Trading Estate
GB-JE2 7QN St Saviour Jersey**

delivery address

DSV Road Ltd
(NO UPS)
10 Brunel Way, Segensworth Industrial Estate
GB-PO15 5TX Hampshire, Fareham
NO UPS

ORDER CONFIRMATION (release 2)

sales order no.: 202952185 of 23.02.2026
customer: 165708
reference: Renaissance
Your order no.: SO17463
contact person: William Abbott
E-Mail: WAbbott@weinor.de
phone number: +49-221-59709-472
representat.: 654 Chris Spickett
tel (representat.): 0044 (0) 7894443907

pos	quantity	article code
-----	----------	--------------

2	1,00	1308	Cassita II spring campaign Achtung!Volant vorab liefern mit 202952245			
			width (cm)	: 470	cm	
			Projection [cm]	: 150	cm	2.744,00
			Base colour	: WT029/80077 Approx. DB 703 Metallic		
			no. of arms	: 2	Piece	
			Control type	: Somfy io control including Situo io Pure handset and Sunea io motor upgrade		
			insulation [mm]	: 0	mm	
			bracket type 1	: wall fixing		
			number of brackets 1	: 2	Piece	62,00

weinor Ltd
73 Cornhill
GB-EC3V 3QQ London
weinor.com

Managing Director:
Tim Földner
General partner:
Weinor Beteiligungs-GmbH
Köln

VAT no.: 335 2381 16
Company no.: 12193066
UTR no.: 33431 24084
EORI no.: GB335238116000

Domestic transfers:
Commerzbank London
Sort Code: 406201
Account Number: 307 537 10

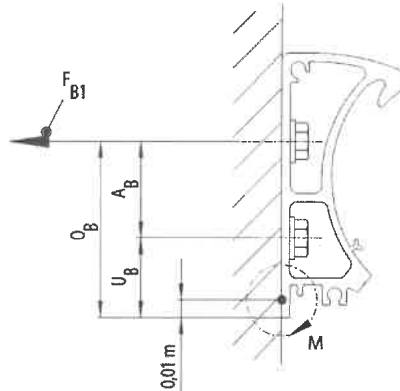
International transfers:
Commerzbank London
IBAN: GB51 COBA 4062 0130 7537 10
Swift: MIDLGB22 a/c COBAGB2X

weinor Ltd 73 Cornhill EC3V 3QQ London

customer: 165708 sales order 202952185

Page 2 of 3

pos	quantity	article code
-----	----------	--------------



Force 1 means the pull-out force per upper fastener F(B).

FB1 Force 1 per fixing point	: 923	N
Torque per folding arm [Nm]	: 166	Nm

Please note that your selected awning configuration results in the following forces per upper fixing point (pull-out, lateral and/or shear forces). These must be accounted for by using suitable fixings.

bracket position left [mm]	: 90	mm	
bracket position right [mm]	: 90	mm	
arm position left	: 58	mm	
arm position right	: 58	mm	
type of control	: Remote-controlled motor IO Homecontrol		
Side of control (seen from the front)	: right		
control	: hand transmitter Situo 5 io II by weinor		
type of motor	: Motor Sfy Sunea50 io 40/17 ohne Zubehör		
Somfy radio wind sensor io	: with Somfy Eolis 3D WireFree io; black housing		
real-design	: DIU170	pink single colour	190,35
Glue fabric?	: no, sewn fabric		
colour of thread Saba	: RAL 7001 Silver grey		
valance model	: with valance		175,00
shape	: straight		
valance pattern repeat	: standard	Pattern	
depth of valance [cm]	: 30	cm	45,59

weinor Ltd
73 Cornhill
GB-EC3V 3QQ London
weinor.com

Managing Director:
Tim Földner
General partner:
Weinor Beteiligungs-GmbH
Köln

VAT no.: 335 2381 16
Company no.: 12193066
UTR no.: 33431 24084
EORI no.: GB335238116000

Domestic transfers:
Commerzbank London
Sort Code: 406201
Account Number: 307 537 10

International transfers:
Commerzbank London
IBAN: GB51 COBA 4062 0130 7537 10
Swift: MIDLGB22 a/c COBAGB2X

weinor Ltd 73 Cornhill EC3V 3QQ London

customer: 165708 sales order 202952185

Page 3 of 3

pos	quantity	article code
-----	----------	--------------

colour of thread Saba valance plus	:	RAL 7001 Silver grey
binding tape standard	:	335 Pink
Cardboard packaging	:	edges reinforcement
weight	:	55 kg

value of goods	discount amount / %	net
3.216,94	1.286,78 / 40,00	1.930,16

value of goods	discount amount	net	VAT (0 %)	Total GBP
3.216,94	1.286,78	1.930,16	0,00	1.930,16

Our spoken and written advice focuses on an explanation of the best possible use of our products and services. It does not liberate you from the obligation to check fitness of our products and services for your particular purpose. That includes the inspection of the general condition and especially maximum capacity load of fixing base as well as forwarding all respective information in addition to your order to weinor. That way delivery of the correct type and number of brackets is guaranteed. If our product can not be used as upon agreement due to false or lacking information we or any auxiliary person do accept contractual or non-contractual liabilities only in case of malicious intent or gross negligence.

In order to mount all brackets corresponding their fixing base you will need suitable mounting systems. For mounting on concrete C20/25 we recommend heavy duty anchor-systems from fischer (e.g. FAZ II M12/10 GS or FAZ II M12/30 GS). In case of mounting on any other base referred to in our pricelist or on frontal concrete ceiling we recommend the use of injection systems from fischer (e.g. FIS V 360 S). You can order them directly from us.

If you use a different mounting system or your own brackets, you will need a table of pull-out resistance of screw anchors in order to determine the working load.

In addition, our General Terms of Delivery and Payment as per 01/2024, published under the link provided below are valid and we are happy to provide you with them free of charge upon request.

<https://www.weinor.com/terms-and-conditions/>

delivery	exw Cologne
payment:	With direct debit 5% discount payment
mode of dispatch	UK export

weinor Ltd
73 Cornhill
GB-EC3V 3QQ London
weinor.com

Managing Director:
Tim Földner
General partner:
Weinor Beteiligungs-GmbH
Köln

VAT no.: 335 2381 16
Company no.: 12193066
UTR no.: 33431 24084
EORI no.: GB335238116000

Domestic transfers:
Commerzbank London
Sort Code: 406201
Account Number: 307 537 10

International transfers:
Commerzbank London
IBAN: GB51 COBA 4062 0130 7537 10
Swift: MIDLGB22 a/c COBAGB2X

ORDER CONFIRMATION

From:

Torbay Blinds Limited
Unit C2, Broomhill Way
Broomhill Industrial Estate
Torquay
Devon
TQ2 7QL
VAT Reg No: 631400393



To:

C P INTERIORS
RUE DES PRES TRADING ESTATE
ST SAVIOUR
JERSEY
JE2 7QP

Order No. 48011
Order Date 19/03/2026
Customer Ref RENAISSANCE BOUTIQUE
Account Ref CP

Qty	Ordered	Product Code	Product Description	Unit Price	Net Price
	1.0000	SIGN1	PRINTING RENAISSANCE LOGO IN WHITE TO BE CENTRED ON VALANCE SUPPLIED BY WEINOR	95.0000	95.00
		M	* SEND VIA TRACKED POST		

Total Net Amount 95.00
Carriage 7.95
Total VAT Amount 0.00
Order Total 102.95

Tamara Lopez-Dominguez

From: Michelle Torbay Blinds Ltd <Michelle@torbayblinds.co.uk>
Sent: 23 January 2026 16:03
To: Tamara Lopez-Dominguez
Subject: RE: ~~SO17463 Renaissance~~

SO17550

Hi,

If you are able to supply the artwork we would be able to print this in house for a cost of £95.00, if it needs to be redrawn we would need to send it to our printer and the cost for the printing including the redraw will be £154.25.

Kind regards,

£143

Michelle

Torbay Blinds Ltd

Unit C2 Broomhill Way
Broomhill Industrial Estate
Torquay
Devon
TQ2 7QL

Tel: 01803 617300
www.torbayblinds.co.uk

Co Reg No: 2497771
VAT Reg No: 631 4003 93

From: Tamara Lopez-Dominguez <Tamara@cpinteriors.je>
Sent: 21 January 2026 11:49
To: Michelle Torbay Blinds Ltd <Michelle@torbayblinds.co.uk>
Subject: RE: SO17463 Renaissance

Hi Michelle,

No worries. Just in case:

Configuration details

weinor Ltd 73 Cornhill EC3V 3QQ London

C P Interiors

Rue Des Pres Trading Estate
GB-JE2 7QN St Saviour Jersey

reference: Renaissance
Your order no.: SO17463
weinor customernumber: 165708
creation Date: 19.02.2026
weinor pers. in charge: William Abbott
phone / fax number: +49-221-59709-472
representat.: Chris Spickett
tel (representat.): 0044 (0) 7894443907

Where do I add the info about valance? - order without delivery date on portal & send an email to order + William

pos	quantity	article	price
2	1	weinor Cassita II spring campaign	3.216,94

Scheduling delivery	: Please contact your person in charge for planning the expected date of delivery.	
Product use	: shop/store	
width (cm)	: 470 cm	
Projection [cm]	: 150 cm	2.744,00
Base colour	: WT029/80077 Approx. DB 703 Metallic	
no. of arms	: 2 Piece	
Control type	: Somfy io control including Situo io Pure handset and Sunea io motor upgrade	
insulation [mm]	: 0 mm	
bracket type 1	: wall fixing	
number of brackets 1	: 2 Piece	62,00
FB1 Force 1 per fixing point	: 923 N	
Torque per folding arm [Nm]	: 166 Nm	
bracket position left [mm]	: 90 mm	
bracket position right [mm]	: 90 mm	
arm position left	: 58 mm	
arm position right	: 58 mm	
type of control	: Remote-controlled motor IO Homecontrol	
Side of control (seen from the front)	: right	
control	: hand transmitter Situo 5 io II by weinor	
type of motor	: Motor Sfy Sunea50 io 40/17 ohne Zubehör	
Somfy radio wind sensor io	: with Somfy Eolis 3D WireFree io; black housing	
real-design	: DIU170 pink single colour	190,35
Glue fabric?	: no, sewn fabric	

PTO →

Configuration details

weinor Ltd 73 Cornhill EC3V 3QQ London

customer: 165708 reference: Renaissance Page 2 of 2

pos	quantity	article	price
		colour of thread Saba : RAL 7001 Silver grey	
		valance model : with valance	175,00
		shape : straight	
		valance pattern repeat : standard Pattern	
		depth of valance [cm] : 30 cm	45,59
		colour of thread Saba valance plus : RAL 7001 Silver grey	
		binding tape standard : 335 pink	
		Cardboard packaging : edges reinforcement	
		weight : 55 kg	

don't know if this can be changed as this is darkish grey on a pink awning

value of goods	discount amount / %	net
3.216,94	1.286,78 / 40,00	1.930,16

value of goods GBP	discount amount	net GBP	VAT (0 %)	Total GBP
3.216,94	1.286,78	1.930,16	0,00	1.930,16

Staff Name Ben

Order No. SO17463

Surveyor Measurer

Contact Address

Renaissance Boutique Bex Belhomme
26 Hill Street St Heller JE2 4SL bexbelhomme@icloud.com 07797740825 617386

Customer Ref

Jati-Kebon Furniture

Account Manager: Rachel

Date

08-01-2026

Time

09:30 AM

Notes : awning measure - cassetted with valance

Location	Supplier	Blind Type /Description	Colour	Qty	Width	Drop	Fitting Height	B or R	Controls	Brackets	Surface	Unit Price
Shop front	Wenmor	Cassita WT 02a/80077		1	4700	1200			RHM			
		Rose										
		ORC V170 120										
		300 mm										
		Valance 300mm										
		Renaissance										
		logo Centered										
		large										

Comments:

Awaiting info from client regarding logo.

Surface Fixing

- C=Concrete
- W=Wood
- M=Metal
- B=Brick
- P=Plastic
- T=Tile

Order

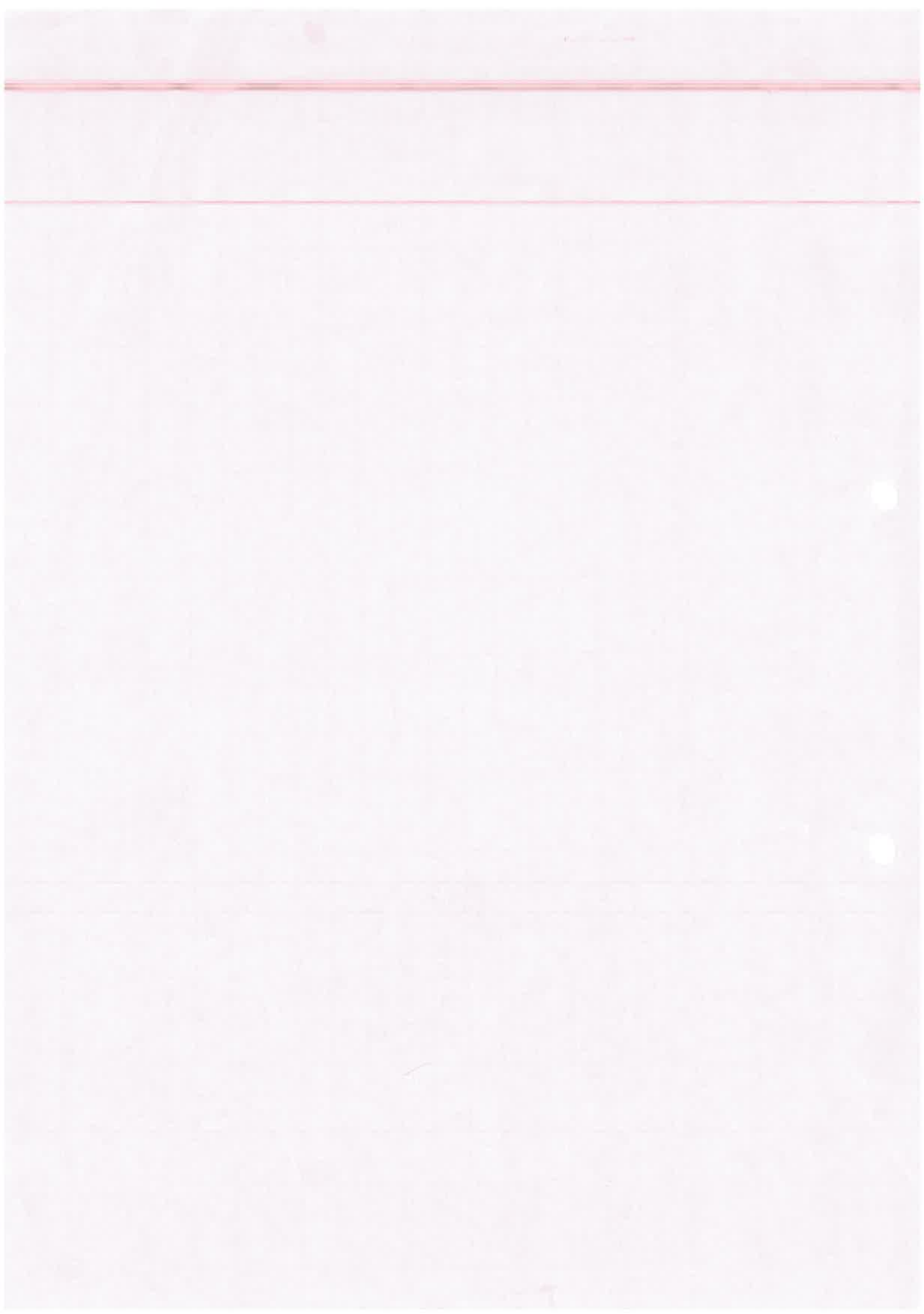
Customer Signature

X

I have checked and agree with the above choices

Quote

Target Fitting Date



Configuration details

weinor Ltd 73 Cornhill EC3V 3QQ London

C P Interiors

**Rue Des Pres Trading Estate
GB-JE2 7QN St Saviour Jersey**

reference: Renaissance
Your order no.: SO17463
weinor customernumber: 165708
creation Date: 17.02.2026
weinor pers. in charge: William Abbott
phone / fax number: +49-221-59709-472
representat.: Chris Spickett
tel (representat.): 0044 (0) 7894443907

pos	quantity	article	price
1	1	weinor Cassita II	3.641,94
		Scheduling delivery : Please contact your person in charge for planning the expected date of delivery.	
		Product use : shop/store	
		width (cm) : 470 cm	
		Projection [cm] : 150 cm	2.744,00
		Base colour : WT029/80077 Approx. DB 703 Metallic	
		no. of arms : 2 Piece	
		insulation [mm] : 0 mm	
		bracket type 1 : wall fixing	
		number of brackets 1 : 2 Piece	62,00
		FB1 Force 1 per fixing point : 923 N	
		Torque per folding arm [Nm] : 166 Nm	
		bracket position left [mm] : 90 mm	
		bracket position right [mm] : 90 mm	
		arm position left : 58 mm	
		arm position right : 58 mm	
		type of control : Remote-controlled motor IO Homecontrol	143,00
		Side of control (seen from the front) : right	
		Hirschmann plug? : without Hirschmann plug	
		control : hand transmitter Situo 1 io II by weinor	75,00
		type of motor : Motor Sfy Sunea50 io 40/17 ohne Zubehör	
		Somfy radio wind sensor io : with Somfy Eolis 3D WireFree io; black housing	207,00
		real-design : DIU170 pink single colour	190,35
		colour of thread Saba : RAL 7001 Silver grey	
		valance model : with valance	175,00

weinor Ltd
73 Cornhill
GB-EC3V 3QQ London
weinor.com

Managing Director:
Tim Földner
General partner:
Weinor Beteiligungs-GmbH
Köln

VAT no.: 335 2381 16
Company no.: 12193066
UTR no.: 33431 24084
EORI no.: GB335238116000

Domestic transfers:
Commerzbank London
Sort Code: 406201
Account Number: 307 537 10

International transfers:
Commerzbank London
IBAN: GB51 COBA 4062 0130 7537 10
Swift: MIDLGB22 a/c COBAGB2X

Configuration details

weinor Ltd 73 Cornhill EC3V 3QQ London

customer:	165708	reference:	Renaissance	Page 2 of 4
pos	quantity	article		price
shape		: straight		
valance pattern repeat		: standard Pattern		
depth of valance [cm]		: 30 cm		45,59
binding tape standard		: 335 pink		
colour of thread Saba binding tape		: 135 lachs		
colour of thread Saba valance plus		: RAL 7001 Silver grey		
Cardboard packaging		: edges reinforcement		
weight		: 55 kg		
			value of goods	discount amount / %
			3.641,94	1.456,78 / 40,00
				net
				2.185,16

Configuration details

weinor Ltd 73 Cornhill EC3V 3QQ London

customer: 165708 reference: Renaissance Page 3 of 4
 pos quantity article price

2 1 weinor Cassita II spring campaign 3.216,94

Scheduling delivery	: Please contact your person in charge for planning the expected date of delivery.	
Product use	: shop/store	
width (cm)	: 470 cm	
Projection [cm]	: 150 cm	2.744,00
Base colour	: WT029/80077 Approx. DB 703 Metallic	
no. of arms	: 2 Piece	
Control type	: Somfy io control including Situo io Pure handset and Sunea io motor upgrade	
insulation [mm]	: 0 mm	
bracket type 1	: wall fixing	
number of brackets 1	: 2 Piece	62,00
FB1 Force 1 per fixing point	: 923 N	
Torque per folding arm [Nm]	: 166 Nm	
bracket position left [mm]	: 90 mm	
bracket position right [mm]	: 90 mm	
arm position left	: 58 mm	
arm position right	: 58 mm	
type of control	: Remote-controlled motor IO Homecontrol	
Side of control (seen from the front)	: right	
control	: hand transmitter Situo 5 io II by weinor	
type of motor	: Motor Sfy Sunea50 io 40/17 ohne Zubehör	
Somfy radio wind sensor io	: with Somfy Eolis 3D WireFree io; black housing	
real-design	: DIU170 pink single colour	190,35
Glue fabric?	: no, sewn fabric	
colour of thread Saba	: RAL 7001 Silver grey	
valance model	: with valance	175,00
shape	: straight	
valance pattern repeat	: standard Pattern	
depth of valance [cm]	: 30 cm	45,59
colour of thread Saba valance plus	: RAL 7001 Silver grey	
binding tape standard	: 335 pink	
Cardboard packaging	: edges reinforcement	
weight	: 55 kg	

weinor Ltd
 73 Cornhill
 GB-EC3V 3QQ London
 weinor.com

Managing Director:
 Tim Fuldner
 General partner:
 Weinor Beteiligungs-GmbH
 Köln

VAT no.: 335 2381 16
 Company no.: 12193066
 UTR no.: 33431 24084
 EORI no.: GB335238116000

Domestic transfers:
 Commerzbank London
 Sort Code: 406201
 Account Number: 307 537 10

International transfers:
 Commerzbank London
 IBAN: GB51 COBA 4062 0130 7537 10
 Swift: MIDLGB22 a/c COBAGB2X

Configuration details

weinor Ltd 73 Cornhill EC3V 3QQ London

customer: 165708 reference: Renaissance Page 4 of 4
 pos quantity article price

	value of goods	discount amount / %	net
	3.216,94	1.286,78 / 40,00	1.930,16
value of goods GBP	discount amount	net GBP	VAT (0 %)
6.858,88	2.743,56	4.115,32	0,00
			Total GBP
			4.115,32

Handwritten note: £4,825

Configuration details

weinor Ltd 73 Cornhill EC3V 3QQ London

C P Interiors

Rue Des Pres Trading Estate
GB-JE2 7QN St Saviour Jersey

reference: Renaissance
Your order no.: SO17463
weinor customernumber: 165708
creation Date: 03.02.2026
weinor pers. in charge: William Abbott
phone / fax number: +49-221-59709-472
representat.: Chris Spickett
tel (representat.): 0044 (0) 7894443907

pos	quantity	article	price
1	1	weinor Cassita II	3.641,94
		Product use : shop/store	
		width (cm) : 470 cm	
		Projection [cm] : 150 cm	2.744,00
		Base colour : WT029/80077 Approx. DB 703 Metallic	
		no. of arms : 2 Piece	
		insulation [mm] : 0 mm	
		bracket type 1 : wall fixing	
		number of brackets 1 : 2 Piece	62,00
		FB1 Force 1 per fixing point : 923 N	
		Torque per folding arm [Nm] : 166 Nm	
		bracket position left [mm] : 90 mm	
		bracket position right [mm] : 90 mm	
		arm position left : 58 mm	
		arm position right : 58 mm	
		type of control : Remote-controlled motor IO Homecontrol	143,00
		Side of control (seen from the front) : right	
		Hirschmann plug? : without Hirschmann plug	
		control : hand transmitter Situo 1 io II by weinor	75,00
		type of motor : Motor Sfy Sunea50 io 40/17 ohne Zubehör	
		Somfy radio wind sensor io : with Somfy Eolis 3D WireFree io; black housing	207,00
		real-design : DIU170 pink single colour	190,35
		colour of thread Saba : RAL 7001 Silver grey	
		valance model : with valance	175,00
		shape : straight	
		valance pattern repeat : standard Pattern	

weinor Ltd
73 Cornhill
GB-EC3V 3QQ London
weinor.com

Managing Director:
Tim Földner
General partner:
Weinor Beteiligungs-GmbH
Köln

VAT no.: 335 2381 16
Company no.: 12193066
UTR no.: 33431 24084
EORI no.: GB335238116000

Domestic transfers:
Commerzbank London
Sort Code: 406201
Account Number: 307 537 10

International transfers:
Commerzbank London
IBAN: GB51 COBA 4062 0130 7537 10
Swift: MIDLGB22 a/c COBAGB2X

Configuration details

weinor Ltd 73 Cornhill EC3V 3QQ London

customer: 165708 reference: Renaissance Page 2 of 2

pos	quantity	article	price
		depth of valance [cm] : 30 cm	45,59
		binding tape standard : 335 pink	
		colour of thread Saba binding tape : 135 lachs	
		colour of thread Saba valance plus : RAL 7001 Silver grey	
		Cardboard packaging : edges reinforcement	
		weight : 55 kg	

value of goods	discount amount / %	net
3.641,94	1.456,78 / 40,00	2.185,16

value of goods GBP	discount amount	net GBP	VAT (0 %)	Total GBP
3.641,94	1.456,78	2.185,16	0,00	2.185,16

£5463



CP INTERIORS

QUOTE

To: Mrs.Bex Belhomme Renaissance Boutique 26 Hill Street St Helier JE2 4SL	Job Number: SO17550 Q1 Customer Reference: Awning	Quote Date: Tuesday 03 Feb 2026 Deposit required: £ 2,397.36 Your Contact: Tamara
--	---	--

Our Price Promise to you
We are so confident our pricing is competitive, that we will beat any written quotation for equivalent product by 5%

To supply and fit unless otherwise stated.

Location	Product	Description	Qty	Price
	Awning / Canopy	Weinor Cassitta II electrically operated awning with full cassette, 300mm valance and vibration sensor, powder coated in WT029/80077 Metallic, in Dickson Orchestra ORC U170 120 Rose Pink (non-standard colour). Right-hand side motor. Size 4.7m wide x 1.2m projection. Includes remote control.	1	£ 5,463.00
	Awning / Canopy	Signwriting - Renaissance Boutique in white (on valance only)	1	£ 145.00
	.	*Electrical works not included*		
	Town Parking Permit	Town Parking Permit	1	£ 100.00
	.	**Town permit final cost TBC (£70-£100)**		

Terms: 40% deposit due with order, 40% on delivery & final 20% on completion

**** To go ahead with this quote please make deposit payment. To pay by card call us on 01534 768141 ****

Direct Deposit - Sort Code: 60-12-03 Account: 66577772

If you have any queries please call us on 01534 768141 or visit our showroom Rue des Pres Trading Estate St Saviour

**** For Our Terms & Conditions of Sale please go to www.cpinteriors.je ****

Subtotal	£ 5,708.00
GST	£ 285.40
Total	£ 5,993.40
Paid amount	£ 0.00
Total amount	£ 5,993.40

Please note: This quotation is only valid for acceptance for 7 days. Our estimate does not include any electrical work or additional carpentry work to install the above unless otherwise specified. Please note there is a handling charge on customer own fabric of £7.50 per metre. Due to high costs of labour, pre-arranged missed fitting appointments will be charged on a time-wasted basis. Settlement is due on completion of works and an administration charge of £25 will be added per month if unpaid within 30 days. We reserve the right to charge for design, advice and liaison work carried out should an order not be placed. Goods remain the property of CP Interiors until full settlement is received. Should payment not be received we reserve the right to attend premises during working hours to remove goods and not be required to make good. Our full terms and conditions apply and are available on request.



CP INTERIORS

QUOTE

To: Mrs. Bex Belhomme
Renaissance Boutique
26 Hill Street
St Helier
JE2 4SL

Job Number: SO17550 Q1

Customer Reference: Awning

Quote Date: Thursday 29 Jan 2026

Deposit required: £ 2,294.04

Your Contact: Tamara

Our Price Promise to you
We are so confident our pricing is competitive, that we will beat any written quotation for equivalent product by 5%

To supply and fit unless otherwise stated.

Location	Product	Description	Qty	Price
	Awning / Canopy	Weinor Cassitta II electrically operated awning with full cassette, 300mm valance and vibration sensor, powder coated in WT029/80077 Metallic, in Dickson Orchestra ORC U170 120 Rose (Pink). Right-hand side motor. Size 4.7m wide x 1.2m projection. Includes remote control.	1	£ 5,317.00
	Awning / Canopy	Signwriting - Renaissance Boutique in white (on valance only)	1	£ 145.00

non standard colour.

Electrical works not included

+ check if permit required as in town.

Terms: 40% deposit due with order, 40% on delivery & final 20% on completion

**** To go ahead with this quote please make deposit payment. To pay by card call us on 01534 768141 ****

Direct Deposit - Sort Code: 60-12-03 Account: 66577772

If you have any queries please call us on 01534 768141 or visit our showroom
Rue des Pres Trading Estate St Saviour

**** For Our Terms & Conditions of Sale please go to www.cpinteriors.je ****

Subtotal	£ 5,462.00
GST	£ 273.10
Total	£ 5,735.10
Paid amount	£ 0.00
Total amount	£ 5,735.10

Please note: This quotation is only valid for acceptance for 7 days. Our estimate does not include any electrical work or additional carpentry work to install the above unless otherwise specified. Please note there is a handling charge on customer own fabric of £7.50 per metre. Due to high costs of labour, pre-arranged missed fitting appointments will be charged on a time-wasted basis. Settlement is due on completion of works and an administration charge of £25 will be added per month if unpaid within 30 days. We reserve the right to charge for design, advice and liaison work carried out should an order not be placed. Goods remain the property of CP Interiors until full settlement is received. Should payment not be received we reserve the right to attend premises during working hours to remove goods and not be required to make good. Our full terms and conditions apply and are available on request.

Updated Prices

Configuration details

weinor Ltd 73 Cornhill EC3V 3QQ London

C P Interiors

Rue Des Pres Trading Estate
GB-JE2 7QN St Saviour Jersey

reference: Renaissance
Your order no.: ~~S017463~~ 5017550
weinor customernumber: 165708
creation Date: 29.01.2026
weinor pers. in charge: William Abbott
phone / fax number: +49-221-59709-472
representat.: Chris Spickett
tel (representat.): 0044 (0) 7894443907

pos	quantity	article	price
1	1	weinor Cassita II	3.544,48
Product use : shop/store			
width [cm] : 470 cm			
Projection [cm] : 150 cm			2.669,00
Basic colour : WT029/80077 Approx. DB 703 Metallic			
Anzahl Arme : 2 Piece			
insulation [mm] : 0 mm			
bracket type 1 : wall fixing			
number of brackets 1 : 2 Piece			60,00
FB1 Force 1 per fixing point : 923 N			
M = Torque per folding arm : 166 Nm			
bracket position left [mm] : 90 mm			
bracket position right [mm] : 90 mm			
arm position left : 58 mm			
arm position right : 58 mm			
type of control : Remote-controlled motor IO Homecontrol			139,00
Side of control (seen from the front) : right			
Hirschmann plug? : without Hirschmann plug			
control : hand transmitter Situo 1 io II by weinor			73,00
Type of engine : Motor Sfy Sunea50 io 40/17 ohne Zubehör			
Somfy radio wind sensor io : with Somfy Eolis 3D WireFree io; black housing			201,00
real-design : DIU170 pink single colour			183,30
colour of thread Saba : RAL 7001 Silver grey			
valance model : with valance			175,00
shape : straight			
valance pattern repeat : standard Pattern			

weinor Ltd
73 Cornhill
GB-EC3V 3QQ London
weinor.com

Managing Director:
Tim Földner
General partner:
Weinor Beteiligungs-GmbH
Köln

VAT no.: 335 2381 16
Company no.: 12193066
UTR no.: 33431 24084
EORI no.: GB335238116000

Domestic transfers:
Commerzbank London
Sort Code: 406201
Account Number: 307 537 10

International transfers:
Commerzbank London
IBAN: GB51 COBA 4062 0130 7537 10
Swift: MIDLGB22 a/c COBAGB2X

Configuration details

weinor Ltd 73 Cornhill EC3V 3QQ London

customer: 165708 reference: Renaissance Page 2 of 2

pos	quantity	article	price
		depth of valance [cm] : 30 cm	44,18
		binding tape standard : 335 pink	
		colour of thread Saba binding tape : 135 lachs	
		colour of thread Saba valance : RAL 7001 Silver grey	
		Cardboard container : edges reinforcement	
		weight : 55 kg	

value of goods	discount amount / %	net
3.544,48	1.417,79 / 40,00	2.126,69

value of goods GBP	discount amount	net GBP	VAT (0 %)	Total GBP
3.544,48	1.417,79	2.126,69	0,00	2.126,69

£5,317