



CP INTERIORS

QUOTE

To:
 Ms. Veronica Scott
 Aylmer Farm
 Chemin De Herupe
 St John
 JE3 4YA

Job Number: SO17641 Q1
Customer Reference:
 Awning Option 1 Cassita

Quote Date: Wednesday 25 Feb 2026
Deposit required: £ 2,753.10
Your Contact: Tamara

Our Price Promise to you
 We are so confident our pricing is competitive, that we will beat any written quotation for equivalent product by 5%

To supply and fit unless otherwise stated.

Location	Product	Description	Qty	Price
OPTION 1: Cassita II				
	Awning / Canopy	Weinor Cassita II electrically operated awning with full cassette (no valance) and vibration sensor, powder coated in WT029/60740 Marrone 04 Metallic , in one of the Weinor My Colletion fabrics available.. Motor side TBC by client's electrician. <i>Right (email on 04/03/26)</i> Size: 5m wide x 2.5m projection. Includes remote control.	1	£ 5,244.00

*A4-670
 WT029/70786*

Electrical works not included

If you order before the 30th of April 2026, a special discount of £638 for motorisation will be applied

Terms: 50% deposit due with order, 50% on completion

**** To go ahead with this quote please make deposit payment. To pay by card call us on 01534 768141 ****

Direct Deposit - Sort Code: 60-12-03 Account: 66577772

If you have any queries please call us on 01534 768141 or visit our showroom Rue des Pres Trading Estate St Saviour

**** For Our Terms & Conditions of Sale please go to www.cpinteriors.je ****

Subtotal	£ 5,244.00
GST	£ 262.20
Total	£ 5,506.20
Paid amount	£ 0.00
Total amount	£ 5,506.20

-638

£4,830.30

Please note: This quotation is only valid for acceptance for 7 days. Our estimate does not include any electrical work or additional carpentry work to install the above unless otherwise specified. Please note there is a handling charge on customer own fabric of £7.50 per metre. Due to high costs of labour, pre-arranged missed fitting appointments will be charged on a time-wasted basis. Settlement is due on completion of works and an administration charge of £25 will be added per month if unpaid within 30 days. We reserve the right to charge for design, advice and liaison work carried out should an order not be placed. Goods remain the property of CP Interiors until full settlement is received. Should payment not be received we reserve the right to attend premises during working hours to remove goods and not be required to make good. Our full terms and conditions apply and are available on request.



weinor Ltd 73 Cornhill EC3V 3QQ London

C P Interiors

**Rue Des Pres Trading Estate
GB-JE2 7QN St Saviour Jersey**

delivery address

DSV Road Ltd
(NO UPS)
10 Brunel Way, Segensworth Industrial Estate
GB-PO15 5TX Hampshire, Fareham
NO UPS

ORDER CONFIRMATION (release 1)

sales order no.: 202953989 of 05.03.2026
customer: 165708
reference: Scott
Your order no.: SO17641Q1
contact person: William Abbott
E-Mail: WAbbott@weinor.de
phone number: +49-221-59709-472
representat. 654 Chris Spickett
tel (representat.): 0044 (0) 7894443907

pos	quantity	article code
-----	----------	--------------

1	1,00	1308	Cassita II spring campaign
---	------	------	----------------------------

expected delivery date	: 30.03.2026		
width (cm)	: 500	cm	
Projection [cm]	: 250	cm	3.009,00
Base colour	: WT029/70786 Sparkling Iron Effect		
no. of arms	: 2	Piece	
Control type	: Somfy io control including Situo io Pure handset and Sunea io motor upgrade		
insulation [mm]	: 0	mm	
bracket type 1	: wall fixing		
number of brackets 1	: 2	Piece	62,00

weinor Ltd
73 Cornhill
GB-EC3V 3QQ London
weinor.com

Managing Director:
Tim Földner
General partner:
Weinor Beteiligungs-GmbH
Köln

VAT no.: 335 2381 16
Company no.: 12193066
UTR no.: 33431 24084
EORI no.: GB335238116000

Domestic transfers:
Commerzbank London
Sort Code: 406201
Account Number: 307 537 10

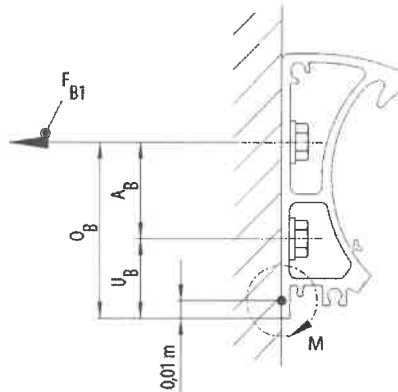
International transfers:
Commerzbank London
IBAN: GB51 COBA 4062 0130 7537 10
Swift: MIDLGB22 a/c COBAGB2X

weinor Ltd 73 Cornhill EC3V 3QQ London

customer: 165708 sales order 202953989

Page 2 of 3

pos	quantity	article code
-----	----------	--------------



Force 1 means the pull-out force per upper fastener F(B).

FB1 Force 1 per fixing point	: 2261	N
Torque per folding arm [Nm]	: 407	Nm

Please note that your selected awning configuration results in the following forces per upper fixing point (pull-out, lateral and/or shear forces). These must be accounted for by using suitable fixings.

bracket position left [mm]	: 90	mm
bracket position right [mm]	: 90	mm
arm position left	: 58	mm
arm position right	: 58	mm
type of control	: Remote-controlled motor IO Homecontrol	
Side of control (seen from the front)	: right	
control	: hand transmitter Situo 5 io II by weinor	
type of motor	: Motor Sfy Sunea50 io 40/17 ohne Zubehör	
Somfy radio wind sensor io	: with Somfy Eolis 3D WireFree io; black housing	
real-design	: WE4-670	fog/greige, my collections 2
Glue fabric?	: no, sewn fabric	
colour of thread Saba	: RAL 7001 Silver grey	
Cardboard packaging	: edges reinforcement	
weight	: 63	kg

weinor Ltd
73 Cornhill
GB-EC3V 3QQ London
weinor.com

Managing Director:
Tim Földner
General partner:
Weinor Beteiligungs-GmbH
Köln

VAT no.: 335 2381 16
Company no.: 12193066
UTR no.: 33431 24084
EORI no.: GB335238116000

Domestic transfers:
Commerzbank London
Sort Code: 406201
Account Number: 307 537 10

International transfers:
Commerzbank London
IBAN: GB51 COBA 4062 0130 7537 10
Swift: MIDLGB22 a/c COBAGB2X

weinor Ltd 73 Cornhill EC3V 3QQ London

customer: 165708 sales order 202953989

Page 3 of 3

pos	quantity	article code
-----	----------	--------------

value of goods	discount amount / %	net
3.071,00	1.228,40 / 40,00	1.842,60

value of goods	discount amount	net	VAT (0 %)	Total GBP
3.071,00	1.228,40	1.842,60	0,00	1.842,60

Our spoken and written advice focuses on an explanation of the best possible use of our products and services. It does not liberate you from the obligation to check fitness of our products and services for your particular purpose. That includes the inspection of the general condition and especially maximum capacity load of fixing base as well as forwarding all respective information in addition to your order to weinor. That way delivery of the correct type and number of brackets is guaranteed. If our product can not be used as upon agreement due to false or lacking information we or any auxiliary person do accept contractual or non-contractual liabilities only in case of malicious intent or gross negligence.

In order to mount all brackets corresponding their fixing base you will need suitable mounting systems. For mounting on concrete C20/25 we recommend heavy duty anchor-systems from fischer (e.g. FAZ II M12/10 GS or FAZ II M12/30 GS). In case of mounting on any other base referred to in our pricelist or on frontal concrete ceiling we recommend the use of injection systems from fischer (e.g. FIS V 360 S). You can order them directly from us.

If you use a different mounting system or your own brackets, you will need a table of pull-out resistance of screw anchors in order to determine the working load.

In addition, our General Terms of Delivery and Payment as per 01/2024, published under the link provided below are valid and we are happy to provide you with them free of charge upon request.

<https://www.weinor.com/terms-and-conditions/>

delivery exw Cologne
 payment: With direct debit 5% discount payment
 mode of dispatch UK export

weinor Ltd
 73 Cornhill
 GB-EC3V 3QQ London
 weinor.com

Managing Director:
 Tim Földner
 General partner:
 Weinor Beteiligungs-GmbH
 Köln

VAT no.: 335 2381 16
 Company no.: 12193066
 UTR no.: 33431 24084
 EORI no.: GB335238116000

Domestic transfers:
 Commerzbank London
 Sort Code: 406201
 Account Number: 307 537 10

International transfers:
 Commerzbank London
 IBAN: GB51 COBA 4062 0130 7537 10
 Swift: MIDLGB22 a/c COBAGB2X

Configuration details

weinor Ltd 73 Cornhill EC3V 3QQ London

C P Interiors

Rue Des Pres Trading Estate
GB-JE2 7QN St Saviour Jersey

reference: Scott
Your order no.: SO17641Q1
weinor customernumber: 165708
creation Date: 04.03.2026
weinor pers. in charge: William Abbott
phone / fax number: +49-221-59709-472
representat.: Chris Spickett
tel (representat.): 0044 (0) 7894443907

pos	quantity	article	price
1	1	weinor Cassita II spring campaign	3.071,00
		width [cm] : 800 cm	
		Projection [cm] : 250 cm	3.009,00
		Basic colour : WT029/70786 Sparkling Iron Effect	
		Anzahl Arme : 2 Piece	
		Bonus selection : Somfy io control including Situo io Pure handset and Sunea io motor upgrade	
		insulation [mm] : 0 mm	
		bracket type 1 : wall fixing	
		number of brackets 1 : 2 Piece	62,00
		FB1 Force 1 per fixing point : 2261 N	
		M = Torque per folding arm : 407 Nm	
		bracket position left [mm] : 90 mm	
		bracket position right [mm] : 90 mm	
		arm position left : 58 mm	
		arm position right : 58 mm	
		type of control : Remote-controlled motor IO Homecontrol	
		Side of control (seen from the front) : right	
		control : hand transmitter Situo 5 io II by weinor	
		Type of engine : Motor Sfy Sunea50 io 40/17 ohne Zubehör	
		Somfy radio wind sensor io : with Somfy Eolis 3D WireFree io; black housing	
		real-design : WE4-670	
		Glue fabric? : no, sewn fabric	
		colour of thread Saba : RAL 7001 Silver grey	
		Cardboard container : edges reinforcement	
		weight : 63 kg	

RB checked

weinor Ltd
73 Cornhill
GB-EC3V 3QQ London
weinor.com

Managing Director:
Tim Fuldner
General partner:
Weinor Beteiligungs-GmbH
Köln

VAT no.: 335 238116
Company no.: 12193066
UTR no.: 33431 24084
EORI no.: GB335238116000

Domestic transfers:
Commerzbank London
Sort Code: 406201
Account Number: 307 537 10

International transfers:
Commerzbank London
IBAN: GB51 COBA 4062 0130 7537 10
Swift: MIDLGB22 a/c COBAGB2X

Configuration details

weinor Ltd 73 Cornhill EC3V3QQ London

customer: 165708 reference: Scott Page 2 of 2

pos	quantity	article			price
			value of goods	discount amount / %	net
			3.071,00	1.228,40 / 40,00	1.842,60
value of goods GBP		discount amount	net GBP	VAT (0 %)	Total GBP
3.071,00		1.228,40	1.842,60	0,00	1.842,60





CP INTERIORS

QUOTE

To: Ms. Veronica Scott
Aylmer Farm
Chemin De Herupe
St John
JE3 4YA

Job Number: SO17641 Q2
Customer Reference:
Awning Option 2

Quote Date: Wednesday 25 Feb 2026
Deposit required: £ 3,788.93
Your Contact: Tamara

Our Price Promise to you

We are so confident our pricing is competitive, that we will beat any written quotation for equivalent product by 5%

To supply and fit unless otherwise stated.

Location	Product	Description	Qty	Price
		OPTION 2: Cassita II LED		
	Awning / Canopy	Weinor Cassita II electrically operated awning with full cassette (no valance), LED lights and vibration sensor, powder coated in WT029/60740 Marrone 04 Metallic, in one of the Weinor My Collection fabrics available. Motor side TBC by client's electrician. Size: 5m wide x 2.5m projection. Includes remote control.	1	£ 7,217.00

Electrical works not included

If you order before the 30th of April 2026, a special discount of £638 for motorisation will be applied

Terms: 50% deposit due with order, 50% on completion

**** To go ahead with this quote please make deposit payment. To pay by card call us on 01534 768141 ****

Direct Deposit - Sort Code: 60-12-03 Account: 66577772

If you have any queries please call us on 01534 768141 or visit our showroom Rue des Pres Trading Estate St Saviour

**** For Our Terms & Conditions of Sale please go to www.cpinteriors.je ****

Subtotal	£ 7,217.00
GST	£ 360.85
Total	£ 7,577.85
Paid amount	£ 0.00
Total amount	£ 7,577.85

Please note: This quotation is only valid for acceptance for 7 days. Our estimate does not include any electrical work or additional carpentry work to install the above unless otherwise specified. Please note there is a handling charge on customer own fabric of £7.50 per metre. Due to high costs of labour, pre-arranged missed fitting appointments will be charged on a time-wasted basis. Settlement is due on completion of works and an administration charge of £25 will be added per month if unpaid within 30 days. We reserve the right to charge for design, advice and liaison work carried out should an order not be placed. Goods remain the property of CP Interiors until full settlement is received. Should payment not be received we reserve the right to attend premises during working hours to remove goods and not be required to make good. Our full terms and conditions apply and are available on request.

Configuration details

weinor Ltd 73 Cornhill EC3V 3QQ London

C P Interiors

Rue Des Pres Trading Estate
GB-JE2 7QN St Saviour Jerseyreference: Scott
Your order no.: SO17641Q1
weinor customernumber: 165708
creation Date: 25.02.2026
weinor pers. in charge: William Abbott
phone / fax number: +49-221-59709-472
representat.: Chris Spickett
tel (representat.): 0044 (0) 7894443907

pos	quantity	article	price
1	1	weinor Cassita II	3.496,00
		width (cm) : 500 cm	
		Projection [cm] : 250 cm	3.009,00
		Base colour : WT029/60740 Marrone 04 Metallic	
		no. of arms : 2 Piece	
		insulation [mm] : 0 mm	
		bracket type 1 : wall fixing	
		number of brackets 1 : 2 Piece	62,00
		FB1 Force 1 per fixing point : 2261 N	
		Torque per folding arm [Nm] : 407 Nm	
		bracket position left [mm] : 90 mm	
		bracket position right [mm] : 90 mm	
		arm position left : 58 mm	
		arm position right : 58 mm	
		type of control : Remote-controlled motor IO Homecontrol	143,00
		Side of control (seen from the front) : right	
		Hirschmann plug? : without Hirschmann plug	
		control : hand transmitter Situo 1 io II by weinor	75,00
		type of motor : Motor Sfy Sunea50 io 40/17 ohne Zubehör	
		Somfy radio wind sensor io : with Somfy Eolis 3D WireFree io; black housing	207,00
		real-design : WE3-501	
		colour of thread Saba : light beige	
		Cardboard packaging : edges reinforcement	
		weight : 63 kg	

£638
sany

weinor Ltd
73 Cornhill
GB-EC3V 3QQ London
weinor.comManaging Director:
Tim Földner
General partner:
Weinor Beteiligungs-GmbH
KölnVAT no.: 335 2381 16
Company no.: 12193066
UTR no.: 33431 24084
EORI no.: GB335238116000Domestic transfers:
Commerzbank London
Sort Code: 406201
Account Number: 307 537 10International transfers:
Commerzbank London
IBAN: GB51 COBA 4062 0130 7537 10
Swift: MIDLGB22 a/c COBAGB2X

Configuration details

weinor Ltd 73 Cornhill EC3V3QQ London

customer: 165708 reference: Scott Page 2 of 3
pos quantity article price

	value of goods	discount amount / %	net
	3.496,00	1.398,40 / 40,00	2.097,60

£5,244

Configuration details

weinor Ltd 73 Cornhill EC3V3QQ London

customer: 165708 reference: Scott Page 3 of 3

pos quantity article price

2 1 weinor Cassita II spring campaign 3.071,00

- width (cm) : 500 cm
- Projection [cm] : 250 cm 3.009,00
- Base colour : WT029/60740 Marrone 04 Metallic
- no. of arms : 2 Piece
- Control type : Somfy io control including Situo io Pure handset and Sunea io motor upgrade
- insulation [mm] : 0 mm
- bracket type 1 : wall fixing
- number of brackets 1 : 2 Piece 62,00
- FB1 Force 1 per fixing point : 2261 N
- Torque per folding arm [Nm] : 407 Nm
- bracket position left [mm] : 90 mm
- bracket position right [mm] : 90 mm
- arm position left : 58 mm
- arm position right : 58 mm
- type of control : Remote-controlled motor IO Homecontrol
- Side of control (seen from the front) : left
- control : hand transmitter Situo 5 io II by weinor
- type of motor : Motor Sfy Sunea50 io 40/17 ohne Zubehör
- Somfy radio wind sensor io : with Somfy Eolis 3D WireFree io; black housing
- panel-design : WE3-501
- Glue fabric? : no, sewn fabric
- colour of thread Saba : light beige
- Cardboard packaging : edges reinforcement
- weight : 63 kg

value of goods	discount amount / %	net
3.071,00	1.228,40 / 40,00	1.842,60

£4,607

value of goods GBP	discount amount	net GBP	VAT (0 %)	Total GBP
6.567,00	2.626,80	3.940,20	0,00	3.940,20

weinor Ltd
73 Cornhill
GB-EC3V3QQ London
weinor.com

Managing Director:
Tim Földner
General partner:
Weinor Beteiligungs-GmbH
Köln

VAT no.: 335 2381 16
Company no.: 12193066
UTR no.: 33431 24084
EORI no.: GB335238116000

Domestic transfers:
Commerzbank London
Sort Code: 406201
Account Number: 307 537 10

International transfers:
Commerzbank London
IBAN: GB51 COBA 4062 0130 7537 10
Swift: MIDLGB22 a/c COBAGB2X

Configuration details

weinor Ltd 73 Cornhill EC3V 3QQ London

C P Interiors

Rue Des Pres Trading Estate
GB-JE2 7QN St Saviour Jerseyreference: Scott
Your order no.: SO17641Q2
weinor customernumber: 165708
creation Date: 25.02.2026
weinor pers. in charge: William Abbott
phone / fax number: +49-221-59709-472
representat.: Chris Spickett
tel (representat.): 0044 (0) 7894443907

pos	quantity	article	price
1	1	weinor Cassita II LED	4.811,00
		type of arm : Arm with LongLife technology and high-tech belt	
		width (cm) : 500 cm	
		Projection [cm] : 250 cm	3.813,00
		Base colour : WT029/60740 Marrone 04 Metallic	
		Number of lamps : 9 Piece	
		no. of arms : 2 Piece	
		insulation [mm] : 0 mm	
		bracket type 1 : wall fixing	
		number of brackets 1 : 2 Piece	62,00
		FB1 Force 1 per fixing point : 2261 N	
		Torque per folding arm [Nm] : 407 Nm	
		bracket position left [mm] : 90 mm	
		bracket position right [mm] : 90 mm	
		arm position left : 58 mm	
		arm position right : 58 mm	
		type of control : Remote-controlled motor IO Homecontrol	143,00
		Side of control (seen from the front) : left	
		Hirschmann plug? : without Hirschmann plug	
		light receiver : with remote-controlled receiver for lighting	487,00
		Lighting receiver type : Lighting Receiver Variation io dimmable	
		control : hand transmitter Situo 5 io II by weinor	99,00
		Somfy radio wind sensor io : with Somfy Eolis 3D WireFree io; black housing	207,00
		System, multi-coloured : plain coloured	
		real-design : WE3-501	
		colour of thread Saba : light beige	

weinor Ltd
73 Cornhill
GB-EC3V 3QQ London
weinor.comManaging Director:
Tim Földner
General partner:
Weinor Beteiligungs-GmbH
KölnVAT no.: 335 238116
Company no.: 12193066
UTR no.: 33431 24084
EORI no.: GB335238116000Domestic transfers:
Commerzbank London
Sort Code: 406201
Account Number: 307 13710International transfers:
Commerzbank London
IBAN: GB51 COBA 4062 0130 7537 10
Swift: MIDLGB22 a/c COBAGB2X

£630

sample

Configuration details

weinor Ltd 73 Cornhill EC3V 3QQ London

customer: 165708 reference: Scott Page 2 of 3
 pos quantity article price

Cardboard packaging : edges reinforcement
 weight : 63 kg

	value of goods	discount amount / %	net
	4.811,00	1.924,40 / 40,00	2.886,60

17218

Configuration details

weinor Ltd 73 Cornhill EC3V 3QQ London

customer: 165708 reference: Scott Page 3 of 3

pos quantity article price

2 1 weinor Cassita II LED spring campaign 4.362,00

type of arm	: Arm with LongLife technology and high-tech belt	
width (cm)	: 500 cm	
Projection [cm]	: 250 cm	3.813,00
Special offer discount	: 0	
Base colour	: WT029/60740 Marrone 04 Metallic	
Number of lamps	: 9 Piece	
no. of arms	: 2 Piece	
Control type	: Somfy io control including Situo io Pure handset and Sunea io motor upgrade	
insulation [mm]	: 0 mm	
bracket type 1	: wall fixing	
number of brackets 1	: 2 Piece	62,00
FB1 Force 1 per fixing point	: 2261 N	
Torque per folding arm [Nm]	: 407 Nm	
bracket position left [mm]	: 90 mm	
bracket position right [mm]	: 90 mm	
type of control	: Remote-controlled motor IO Homecontrol	
Side of control (seen from the front)	: left	
Hirschmann plug?	: without Hirschmann plug	
light receiver	: with remote-controlled receiver for lighting	487,00
lighting receiver type	: Lighting Receiver Variation io dimmable	
control	: hand transmitter Situo 5 io II by weinor	
Somfy radio wind sensor io	: with Somfy Eolis 3D WireFree io; black housing	
real-design	: WE3-501	
colour of thread Saba	: light beige	
Cardboard packaging	: edges reinforcement	
weight	: 63 kg	

value of goods	discount amount / %	net
4.362,00	1.744,80 / 40,00	2.617,20

16.543

value of goods GBP	discount amount	net GBP	VAT (0 %)	Total GBP
9.173,00	3.669,20	5.503,80	0,00	5.503,80

weinor Ltd
73 Cornhill
GB-EC3V 3QQ London
weinor.com

Managing Director:
Tim Földner
General partner:
Weinor Beteiligungs-GmbH
Köln

VAT no.: 335 2381 16
Company no.: 12193066
UTR no.: 33431 24084
EORI no.: GB335238116000

Domestic transfers:
Commerzbank London
Sort Code: 406201
Account Number: 307 537 10

International transfers:
Commerzbank London
IBAN: GB51 COBA 4062 0130 7537 10
Swift: MIDLGB22 a/c COBAGB2X

