



# CP INTERIORS

## QUOTE

To: Dina Patel  
Clos De Le Blanche Pierre  
La Rue De Le Blanche Pierre  
St Lawrence  
JE3 1EX

Job Number: SO17071 Q1  
Customer Reference:  
Orangery, Internal Master, External Master

Quote Date: Wednesday 03 Sep 2025  
Deposit required: 10,400.00  
Your Contact: Rachel Master

### Our Price Promise to you

We are so confident our pricing is competitive, that we will beat any written quotation for equivalent product by 5%

To supply and fit unless otherwise stated.

Location	Product	Description	Qty	Price
Orangery	Skylight	1no Twin zip rooflight system, based on a screen fabric Spectrum cornsilk. Electrically operated with Somfy motors, remote control and standard white aluminium hardware.	1	
Orangery	Skylight	1no single zip rooflight system, based on a screen fabric Spectrum cornsilk. Electrically operated with Somfy motor, remote control and standard white aluminium hardware.	1	
Outside Bedroom	Awning / Canopy	Cassita awning, full cassette electrically operated awning, vibration sensor, powder coated frame in RAL9002 and acrylic My Collections 2 fabric A 3-651 Silverbirch (as previous). Somfy IO operation with remote control and option to operate via smart home, tablet and voice controlled devices. 5.5m x 2.5m	1	
	Installation	to be fully assessed prior to order, excludes bracketry install... to follow	1	
Bedroom	Honeycomb/Pleated blind	Apex motorised honeycomb blinds in 4 sections. Blackout fabric (colour TBC), white hardware. Includes somfy tilt/lift motors and single remote control to operate all blinds together	4	
		** Light needs to be lowered before installation, not included**		
		electrical works and wiring not included		

Terms: 40% deposit due with order, 40% on delivery & final 20% on completion	Subtotal	£ 24,761.90
** To go ahead with this quote please make deposit payment. To pay by card call us on 01534 768141 **	GST	£ 1,238.10
Direct Deposit - Sort Code: 60-12-03 Account: 66577772	Total	£ 26,000.00
If you have any queries please call us on 01534 768141 or visit our showroom Rue des Pres Trading Estate St Saviour	Paid amount	£ 0.00
** For Our Terms & Conditions of Sale please go to <a href="http://www.cpinteriors.je">www.cpinteriors.je</a> **	Total amount	£ 26,000.00

Please note: This quotation is only valid for acceptance for 7 days. Our estimate does not include any electrical work or additional carpentry work to install the above unless otherwise specified. Please note there is a handling charge on customer own fabric of £7.50 per metre. Due to high costs of labour, pre-arranged missed fitting appointments will be charged on a time-wasted basis. Settlement is due on completion of works and an administration charge of £25 will be added per month if unpaid within 30 days. We reserve the right to charge for design, advice and liaison work carried out should an order not be placed. Goods remain the property of CP Interiors until full settlement is received. Should payment not be received we reserve the right to attend premises during working hours to remove goods and not be required to make good. Our full terms and conditions apply and are available on request.



Staff Name: Adrian  
 Order No: S017071  
 Surveyor: Measurer

Contact Address:  
 Dina Patel  
 Clos De Le Blanche Pierre La Rue De Le Blanche Pierre St Lawrence JE3 1EX 07797889758  
 dinapatel672@gmail.com

Customer Ref: Orangery  
 Account Manager: Rachel

Date: 02-09-2025  
 Time: 15:00 PM

Notes : coming into show room

Location	Supplier	Blind Type /Description	Colour	Qty	Width	Drop	Fitting Height	B or R	Controls	Brackets	Surface	Unit Price
		MASSEC Bd	Amnny									6696
		u	Riverat									8005
												12,371
												27,012
										Deep cut bar		
										Amnny Brackets		
												26000

Comments:

Surface Fixing  
 C=Concrete  
 W=Wood  
 M=Metal  
 B=Brick  
 P=Plastic  
 T=Tile

Order

Quote

Customer Signature  
 X I have checked and agree with the above choices

Target Fitting Date



*Dina Patel*

UMBRA®

QUOTE

Job Ref No: UMB11531

Customer: CP Interiors

Contact Name:

Quote Date: 28-08-2025

Total Quantity: 2

Customer Ref.: PATEL - V2

Total Price: £ 4,441.69

Ref No.	Qty	System	Description	Unit Price	Total Price
1	1	KuroLok Twin RL	<ul style="list-style-type: none"> <li>• Supplier: Umbra</li> <li>• Unit Type: mm</li> <li>• Product Type: KuroLok Twin RL</li> <li>• Blind reference: 1</li> <li>• Quantity: 1</li> <li>• Sizes given: Recess size</li> <li>• Width: 2200</li> <li>• Drop: 3100</li> <li>• Fabric: Eris</li> <li>• Color: 010</li> <li>• Hardware colour: White</li> <li>• Hembar: Type Z</li> <li>• Control type: RF 240v Somfy Sonesse 40 9 12</li> <li>• Side channel size: 35mm Channel</li> <li>• Control side: Right</li> <li>• Tube diameter: 65mm Tube</li> <li>• Cassette size: Cassette 100</li> <li>• Cable exit: Blank</li> <li>• Shelving: Yes</li> <li>• Top shelf length: 2200</li> <li>• Bottom shelf length: 2200</li> <li>• Left shelf length: 2846</li> <li>• Right shelf length: 2846</li> <li>• Orientation: Standard</li> <li>• Rollup diameter: 70.01</li> <li>• Max rollup diameter: 83</li> <li>• Side channel bracket: Yes</li> </ul>	3,128.61	3,128.61

8290

UMBRA®

QUOTE

Job Ref No: UMB11531

Customer: CP Interiors

Contact Name:

Quote Date: 28-08-2025

Total Quantity: 2

Customer Ref.: PATEL - V2

Total Price: £ 4,441.69

Ref No.	Qty	System	Description	Unit Price	Total Price
2	1	KuroLok RL	<ul style="list-style-type: none"> <li>• Unit Type: mm</li> <li>• Quantity: 1</li> <li>• Width: 2200</li> <li>• Drop: 3100</li> <li>• Fabric: Eris</li> <li>• Color: 010</li> <li>• Cassette size: Cassette 100</li> <li>• Sizes given: Recess size</li> <li>• Cable exit: Blank</li> <li>• Shelving: Yes</li> <li>• Control type: RF 240v Somfy Sonesse 40 9 12</li> <li>• Orientation: Standard</li> <li>• Hardware colour: White</li> <li>• Hembar: Type Z</li> <li>• Side channel size: 35mm Channel</li> <li>• Blind reference: 1</li> <li>• Top shelf length: 2200</li> <li>• Bottom shelf length: 2200</li> <li>• Left shelf length: 2846</li> <li>• Right shelf length: 2846</li> <li>• Side channel bracket: Yes</li> <li>• Hembar closure profile: No</li> </ul>	1,294.83	1,294.83

3432

Standard Next Day Delivery: £ 18.25

Grand Total: £ 4,441.69

Special Notes

Spectrum Supply Ltd, 1/a Umara Shading, 31 Yarrad Road, SA5 4BT

Tel: 01792 562015 Email: sales@umbrashading.co.uk

Please note that the above pricing is based on this quotation being ordered in full on a single purchase order. Should you require these blinds in phase please discuss this

The above pricing excludes VAT





2 of 2

# CP INTERIORS

## QUOTE

To: Dina Patel  
Clos De Le Blanche Pierre  
La Rue De Le Blanche Pierre  
St Lawrence  
JE3 1EX

Job Number: SO17099 Q1  
Customer Reference:  
Master Bed External

Quote Date: Tuesday 19 Aug 2025  
Deposit required: 3,348.45  
Your Contact: Rachel

Our Price Promise to you  
We are so confident our pricing is competitive, that we will beat any written quotation for equivalent product by 5%

To supply and fit unless otherwise stated.

Location	Product	Description	Qty	Price
	Awning / Canopy	Cassita awning, full cassette electrically operated awning, vibration sensor, powder coated frame in RAL9002 and acrylic My Collections 2 fabric AJ3-651 Silverbirch (as previous). Somfy IO operation with remote control and option to operate via smart home, tablet and voice controlled devices.	1	£ 6,378.00
	Installation	to be fully assessed prior to order, installation cost TBC.  excludes wiring and electrical works	1	

WS.5m x 2.5m

Terms: 50% deposit due with order, 50% on completion

\*\* To go ahead with this quote please make deposit payment. To pay by card call us on 01534 768141 \*\*

Direct Deposit - Sort Code: 60-12-03 Account: 66577772

If you have any queries please call us on 01534 768141 or visit our showroom  
Rue des Pres Trading Estate St Saviour

\*\* For Our Terms & Conditions of Sale please go to [www.cpinteriors.je](http://www.cpinteriors.je) \*\*

Subtotal	£ 6,378.00
GST	£ 318.90
<b>Total</b>	<b>£ 6,696.90</b>
Paid amount	£ 0.00
<b>Total amount</b>	<b>£ 6,696.90</b>

Please note: This quotation is only valid for acceptance for 7 days. Our estimate does not include any electrical work or additional carpentry work to install the above unless otherwise specified. Please note there is a handling charge on customer own fabric of £7.50 per metre. Due to high costs of labour, pre-arranged missed fitting appointments will be charged on a time-wasted basis. Settlement is due on completion of works and an administration charge of £25 will be added per month if unpaid within 30 days. We reserve the right to charge for design, advice and liaison work carried out should an order not be placed. Goods remain the property of CP Interiors until full settlement is received. Should payment not be received we reserve the right to attend premises during working hours to remove goods and not be required to make good. Our full terms and conditions apply and are available on request.



**Subject:** Patel awning  
**Date:** Monday, 18 August 2025 at 13:31:38 GMT+01:00  
**From:** Adrian Colston-Weeks  
**To:** Rachel Baugh  
**Attachments:** image001.png

Hi Rachel

Please price as 6000mm x 2500 cassitta

Thanks

*Can't do 6m  
agreed 5.5m - changed to 5m*

Kind regards,

*Adrian*  
Colston-Weeks

Director  
adrian@cpinteriors.je



Unit 28 Rue Des Pres Trading Estate  
St Saviour  
Jersey  
JE2 7QN

01534 768141 | [www.cpinteriors.je](http://www.cpinteriors.je)

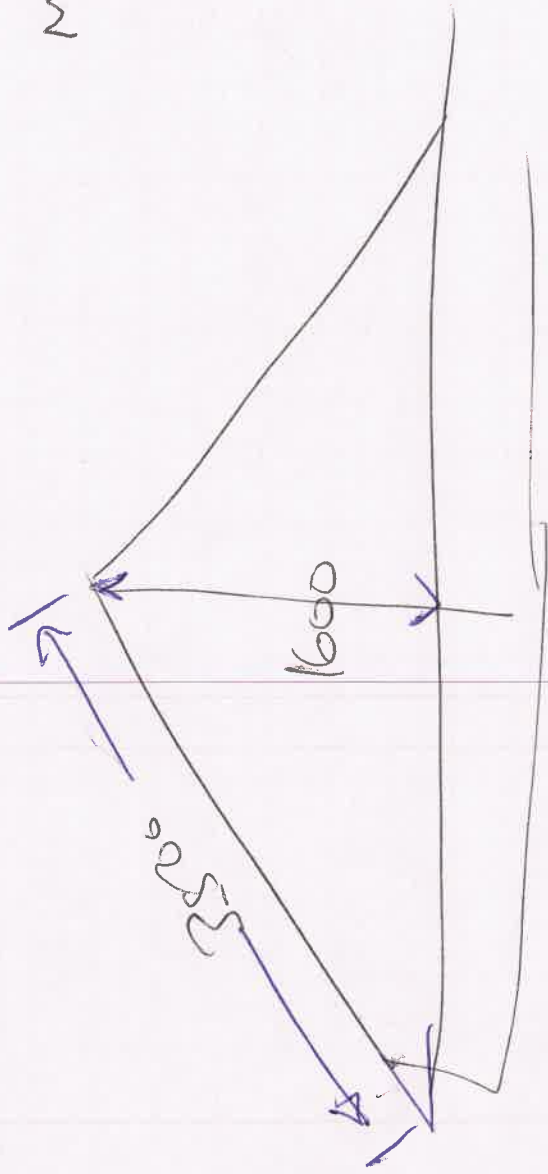


With our CP Price promise, we will beat any quote by 5% \*\*  
\*\* CP Price for like products only





MASTER Bed  
Honey Combs  
Approx



6224 (approx worked out online).



# CP INTERIORS

## QUOTE

**To:**  
 Dina Patel  
 Clos De Le Blanche Pierre  
 La Rue De Le Blanche Pierre  
 St Lawrence  
 JE3 1EX

**Job Number:** SO17072 Q1  
**Customer Reference:**  
 Master Bedroom Internal

**Quote Date:** Thursday 14 Aug 2025  
**Deposit required:** £ 4,002.60  
**Your Contact:** Rachel

Our Price Promise to you  
 We are so confident our pricing is competitive, that we will beat any written quotation for equivalent product by 5%

**To supply and fit unless otherwise stated.**

Location	Product	Description	Qty	Price
<i>Master Bedroom</i>	<b>Honeycomb/Pleated blind</b>	Apex motorised honeycomb blinds in 4 sections. Blackout fabric (colour TBC), white hardware. Includes somfy tilt/lift motors and single remote control to operate all blinds together  excludes wiring and electrical works	4	£ 7,624.00

**Terms:** 50% deposit due with order, 50% on completion

**\*\* To go ahead with this quote please make deposit payment. To pay by card call us on 01534 768141 \*\***

Direct Deposit - Sort Code: 60-12-03 Account: 66577772

If you have any queries please call us on 01534 768141 or visit our showroom Rue des Pres Trading Estate St Saviour

**\*\* For Our Terms & Conditions of Sale please go to [www.cpinteriors.je](http://www.cpinteriors.je) \*\***

<b>Subtotal</b>	<b>£ 7,624.00</b>
<b>GST</b>	<b>£ 381.20</b>
<b>Total</b>	<b>£ 8,005.20</b>
Paid amount	£ 0.00
<b>Total amount</b>	<b>£ 8,005.20</b>

Please note: This quotation is only valid for acceptance for 7 days. Our estimate does not include any electrical work or additional carpentry work to install the above unless otherwise specified. Please note there is a handling charge on customer own fabric of £7.50 per metre. Due to high costs of labour, pre-arranged missed fitting appointments will be charged on a time-wasted basis. Settlement is due on completion of works and an administration charge of £25 will be added per month if unpaid within 30 days. We reserve the right to charge for design, advice and liaison work carried out should an order not be placed. Goods remain the property of CP Interiors until full settlement is received. Should payment not be received we reserve the right to attend premises during working hours to remove goods and not be required to make good. Our full terms and conditions apply and are available on request.





### Customer Address

CP Interiors  
 Rue Des Pres Trading Estate  
 St Saviour  
 JE2 7QN  
 United Kingdom  
 info@cpinteriors.je  
 01534768141

**SONA SHADES LTD**  
 Unit 496, Holly Place  
 Walton Summit Centre  
 Preston  
 Lancashire  
 PR5 8AX  
 United Kingdom  
 info@sonashades.com  
 01772 288 200

**Quote Date** 12-08-2025  
**Quote Ref** Q/6166  
**Customer Ref** Patel S017072  
**Supply Option** Supply Only

Product	Description	Quantity	Price	Total
<b>SonaApex - Motorised Shape</b>		2	£644.00	£1,288.00
<b>Room Reference: Blinds 1 + 4 (Far Left &amp; Far Right)</b>				
Frame Type: No Frame				
Size: 1755w x 802d				
Rail Colour: White 9016				
Fabric Type: SONA Blackout				
Motor System: Tilt & Lift 25 RTS 12v				
Power Supply: SNA-100-12 Transformer				
Handset Type: Situo 1-Channel RTS				
Situo 1-Channel RTS		1	£28.00	£28.00
240cm Motor Extension Cable		2	£3.00	£6.00
SNA-100-12 Transformer		1	£63.00	£63.00
<b>SonaApex - Motorised Shape</b>		2	£730.00	£1,460.00
<b>Room Reference: Blinds 2 + 3 (Centre Left &amp; Right)</b>				
Frame Type: No Frame				
Size: 1754w x 1600d				
Rail Colour: White 9016				
Fabric Type: SONA Blackout				
Motor System: Tilt & Lift 25 RTS 12v				
240cm Motor Extension Cable		2	£3.00	£6.00

---

<b>Subtotal:</b>	<b>£2,851.00</b>
------------------	------------------

<b>Carriage:</b>	<b>£25.00</b>
------------------	---------------

<b>Tax:</b>	<b>£575.20</b>
-------------	----------------

---

<b>Total (GBP):</b>	<b>£3,451.20</b>
---------------------	------------------



# CP INTERIORS

## QUOTE

To: Dina Patel  
 Clos De Le Blanche Pierre  
 La Rue De Le Blanche Pierre  
 St Lawrence  
 JE3 1EX

Job Number: S017071 Q1  
 Customer Reference: Orangerie  
 Quote Date: Wednesday 20 Aug 2025  
 Deposit required: 4,171.13  
 Your Contact: Rachel

Our Price Promise to you  
 We are so confident our pricing is competitive, that we will beat any written quotation for equivalent product by 5%

To supply and fit unless otherwise stated.

Location	Product	Description	Qty	Price
Orangerie	Skylight	1no Twin T660 rooflight system, based on a screen fabric, colour to be confirmed. Electrically operated with Somfy motors, remote control and standard white aluminium hardware.	1	£ 7,945.00

\*\* Light needs to be lowered before installation, not included\*\*

electrical works and wiring not included

Terms: 50% deposit due with order, 50% on completion

Subtotal £ 7,945.00  
 GST £ 397.25  
 Total £ 8,342.25  
 Paid amount £ 0.00  
 Total amount £ 8,342.25

\*\* To go ahead with this quote please make deposit payment. To pay by card call us on 01534 768141 \*\*

Direct Deposit - Sort Code: 60-12-03 Account: 66577772

If you have any queries please call us on 01534 768141 or visit our showroom Rue des Pres Trading Estate St Savour

\*\* For Our Terms & Conditions of Sale please go to [www.cpinteriors.je](http://www.cpinteriors.je) \*\*

Please note: This quotation is only valid for acceptance for 7 days. Our estimate does not include any electrical work or additional carpentry work to install the above unless otherwise specified. Please note there is a handling charge on customer own fabric of £7.50 per metre. Due to high costs of labour, pre-arranged missed fitting appointments will be charged on a time-wasted basis. Settlement is due on completion of works and an administration charge of £25 will be added per month if unpaid within 30 days. We reserve the right to charge for design, advice and liaison work carried out should an order not be placed. Goods remain in the property of CP Interiors until full settlement is received. Should payment not be received we reserve the right to attend premises during working hours to remove goods and not be required to make good. Our full terms and conditions apply and are available on request.

lot 2

*[Handwritten signature]*



Subject: RE: PATEL

Date: Tuesday, 19 August 2025 at 15:07:28 GMT+01:00

From: Sam Taylor

To: Rachel Baugh

Attachments: image004.png, image005.png, image006.png, image007.png, image008.gif, image009.png, image010.png, image011.png

Hi Rachel,

You can achieve this with a twin system at 220mm width x 310mm draw (therefore 2no systems at 220x1550).

Although this is smaller than the twin systems on the price list, I have applied the same pricing to it, as follows:

- 1no Twin 1660 system 2200mm x 310mm (2no individual systems at 2200x1550): £2910
- Packing/Delivery: £225

This includes SOMFY motors, standard white aluminium hardware, and standard screen fabric.

Hope that helps.

Kind regards,

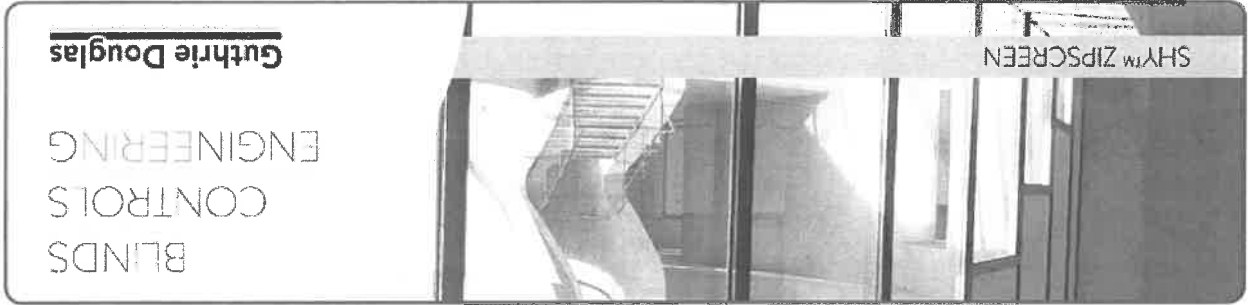
**SAM TAYLOR**

Internal Sales Consultant

T: +44 (0)1926 310 850

M: +44 (0)7394 564 739

[www.guthriedouglas.com](http://www.guthriedouglas.com)



From: Rachel Baugh <rachel@cpinteriors.ie>

Sent: 19 August 2025 09:55

To: Sales | Guthrie Douglas <Sales@guthriedouglas.com>; Sam Taylor

<sam.taylor@guthriedouglas.com>

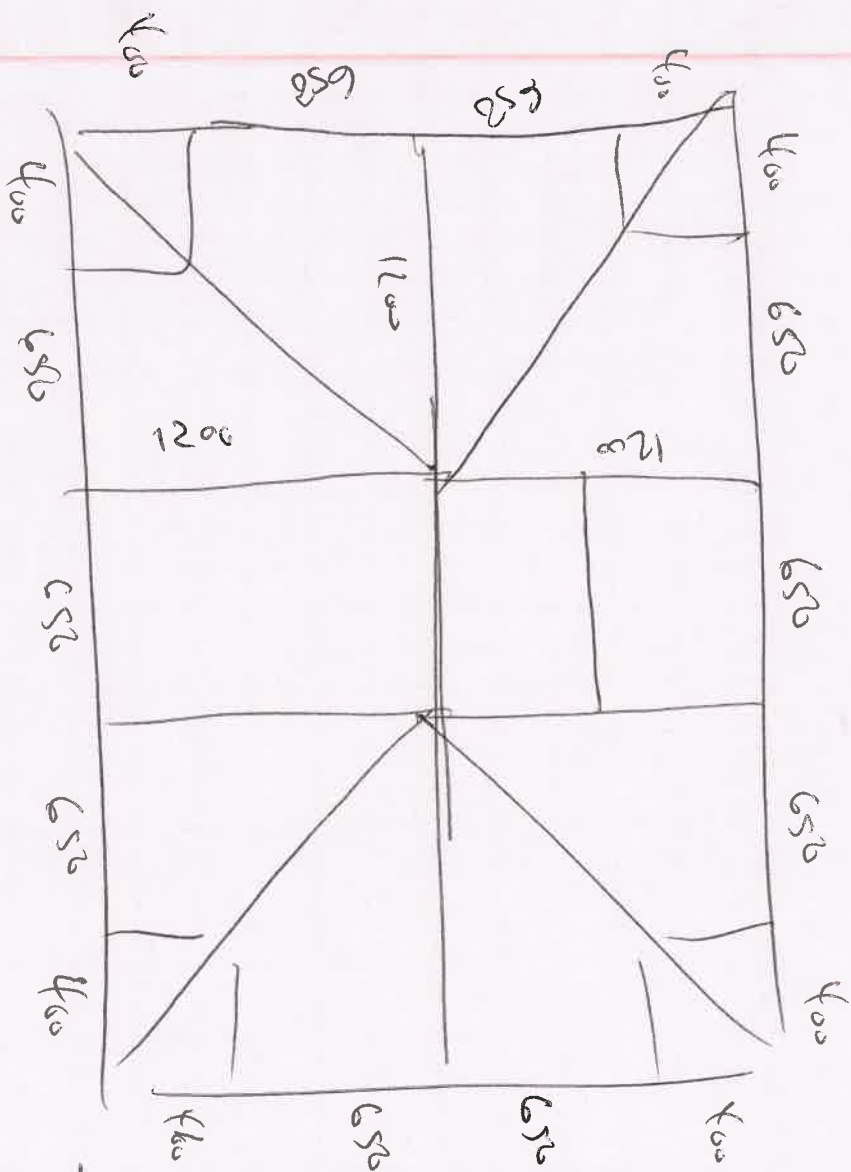
Subject: PATEL

Good morning,





3100

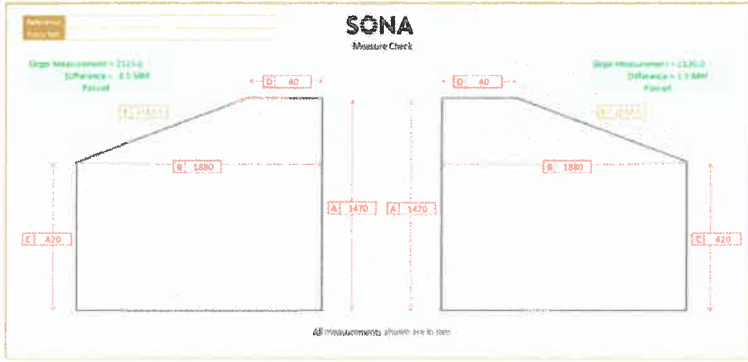


2200

**Subject:** Re: Sona Supply Quote - QU6440 / Re: PATEL SO17072  
**Date:** Wednesday, 8 October 2025 at 10:53:15 GMT+01:00  
**From:** Lewis Laraway  
**To:** Rachel Baugh  
**Attachments:** image002.png, image002.png, image003.png, image001.png, image002.png, image003.png, image003.png, image.png, image001.png, image002.png

Hi Rachel,

Good morning, and thank you for sending this across. I have checked these new measurements in our shape checker and I am pleased to inform you that they are now within our 5mm tolerance, which is excellent news. Please see the image below for your reference.



Kind regards,  
Lewis

Kind regards,

Lewis Laraway  
Operational Support

[lewis@sonashades.com](mailto:lewis@sonashades.com)  
01772 288200  
[sonashades.com](http://sonashades.com)

[Instagram](#)



**Disclaimer:** This email (including any attachments) is confidential and may be legally privileged. It is intended solely for the named recipient(s). If you are not a named recipient please telephone/email the sender immediately and delete the message from your system. You should not disclose the content or take/retain/distribute any copies. The views or opinions expressed in this email are solely those of the author and do not necessarily represent those of the company. The recipient should check this email and any attachments for the presence of viruses. SONA SHADES LTD accepts no liability for any damage caused by a virus transmitted by this message. SONA SHADES LTD, is a limited liability Company registered in England and Wales. Registered number 12405458 whose registered office is Reedham House, 31 King Street West, Manchester M3 2PJ. UK.

On Wed, 8 Oct 2025 at 09:47, Rachel Baugh <[rachel@cpinteriors.je](mailto:rachel@cpinteriors.je)> wrote:

Hi Lewis,

Please find attached remeasure. I trust this will now be sufficient, please can you let me know if it works asap?

Kind Regards

*Rachel*  
Baugh

Interior Design Advisor

[rachel@cpinteriors.je](mailto:rachel@cpinteriors.je)

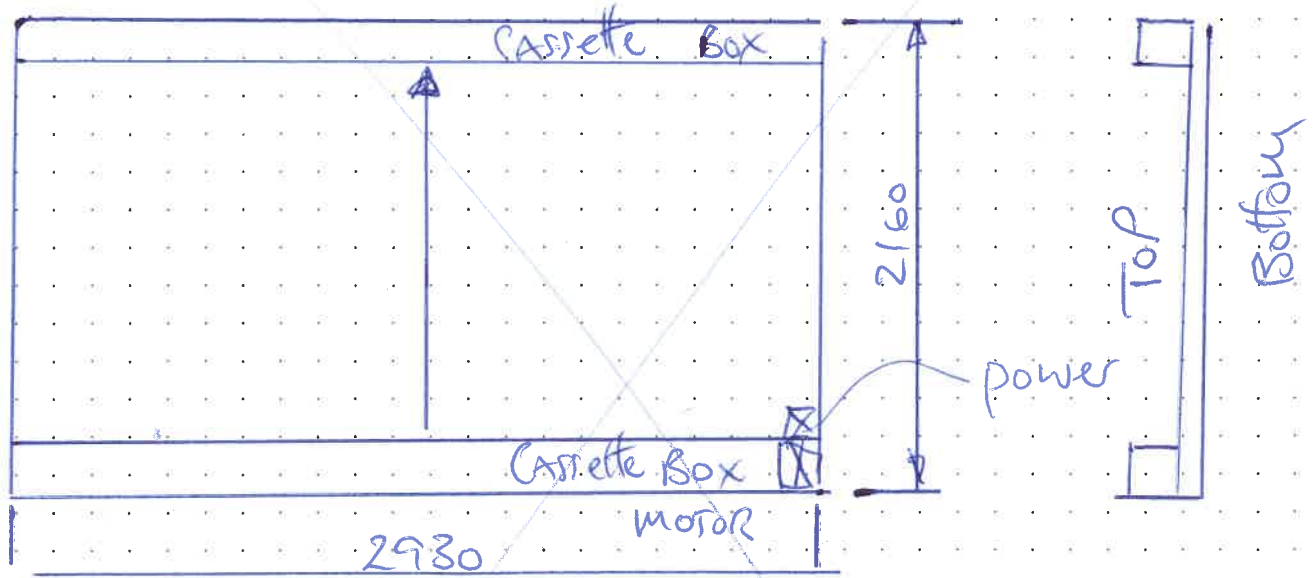




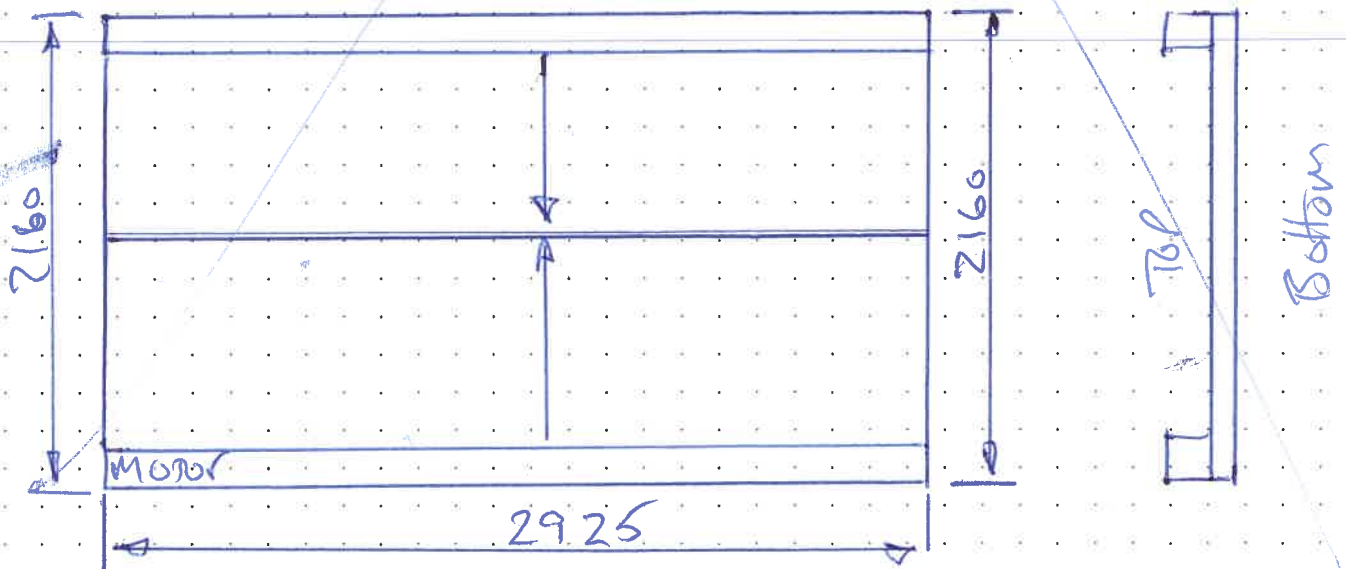
UMBRA Skylight Blinds

Single system

Blind size



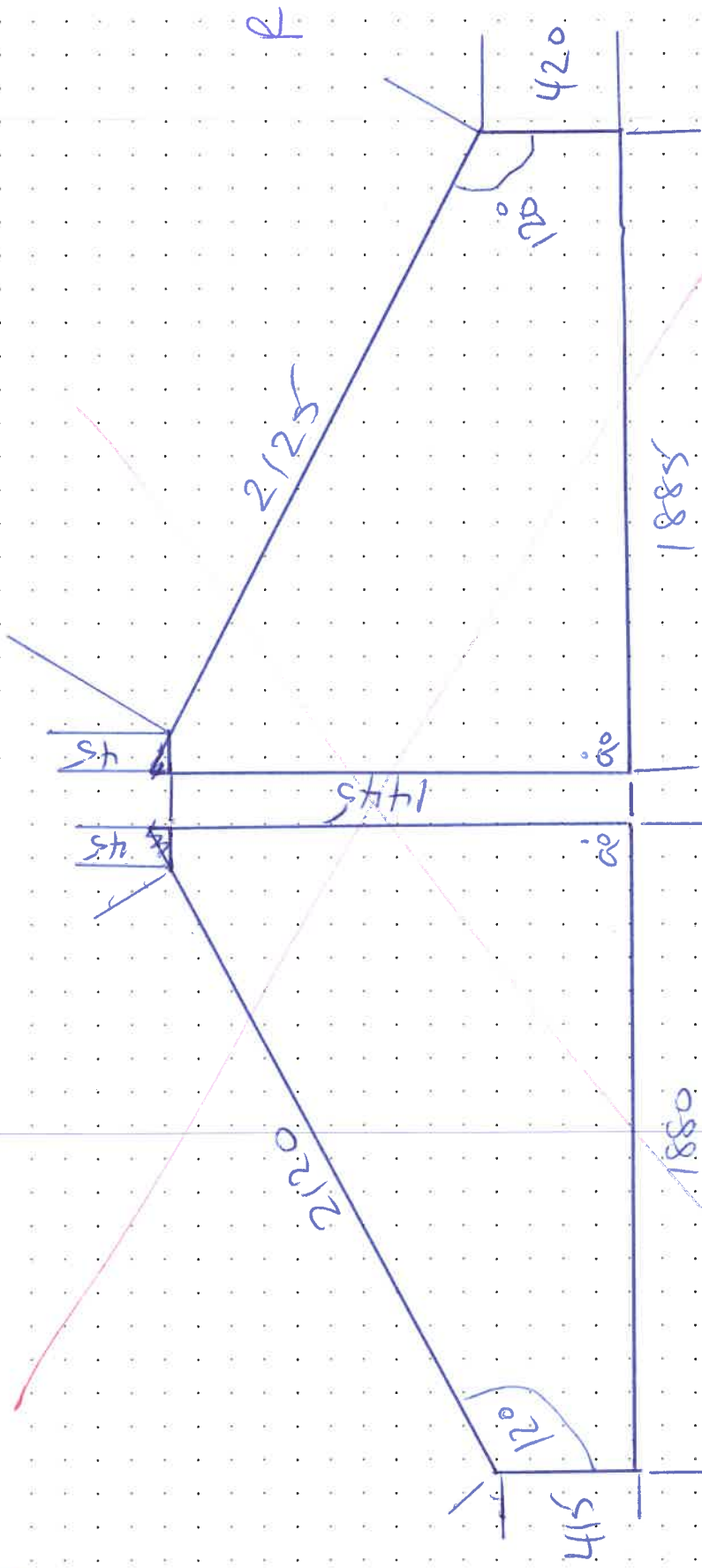
Double system



Need to order as tight size as SHY DEDUCT REFER TO ORIGINAL PLAN!

Blind size Cable 2





RECESS SIZE  
 TUSK  
 RA 9016





Reference: C P Interiors  
Room Ref: Patel S017072

# SONA

Measure Check

Slope Measurement = 2120.0  
Difference = 15.7 MM  
Failed

E 2104.31

B 1880

D .45

A 1445

A 1445

C 415

D .45

Slope Measurement = 2125.0  
Difference = 18.8 MM  
Failed

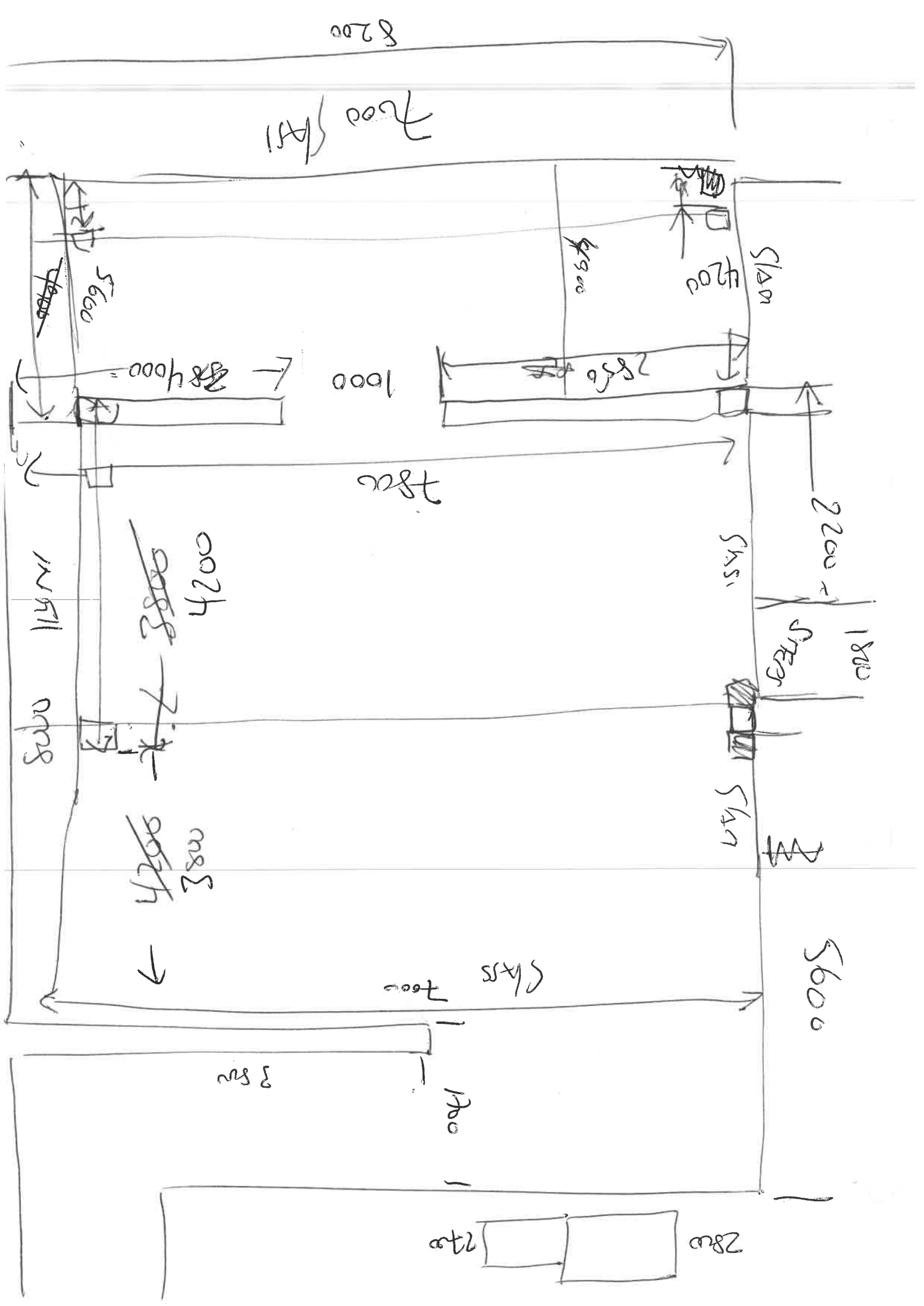
E 2106.2

B 1885

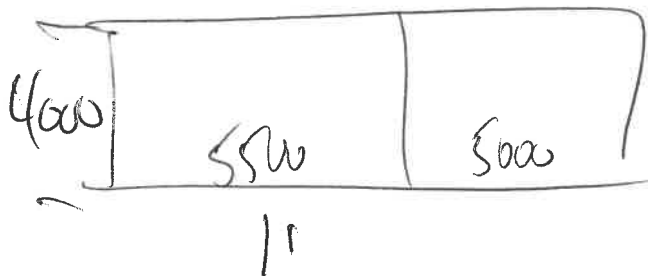
C 420

All measurements shown are in mm





Appointments for Adrian		From	10-09-2025	To	10-09-2025
<b>Wednesday</b>		<b>10-09-2025</b>			
00:00 AM		Holiday			
09:00 AM		Mr.Danny Paxton, Le Chalet Vert, La Rue Du Pont Marquet, St Brelade, JE3 8DS, Ph: 506848, paxtonsplumbing@gmail.com			
SO17155	Measurer	duo roll (previously luxaflex multishade) measure - powerview battery motor not working (tried asking if batteries changed in wand/remote, so either wants a new motor or new blind (Lux not doing multishade anymore).			
10:00 AM		Ms.Davies, 75 Le Jardin A Pommiers, La Rue De Patier, St Saviour, JE2 7LY, Ph: 873644, terridavies@hotmail.co.uk			
SO17140	Measurer	To discuss options and measure to replace existing voiles (keeping curtains). Possibly Duorol (has got sample book)			
11:00 AM		Mr & Mrs.Duncan Thompson, Founders, La Rue De L'Eglise, St. John, Jersey, JE3 4BA, Ph: 07797752980, dthompson@dandara.com			
SO17152	Measurer	To measure for additional shutters to match existing ones (Cuba, 64mm centre tilt, silk white)			
14:00 PM		Mrs.Maggie Cabot, November Cottage, Bagatelle Lane, St Saviour, JE2 7TD, Ph: 280857, maggiocabot1@gmail.com			
SO17156	Measurer	To measure for Duorols to match previous one (Mirande Alma Mushroom)			
15:00 PM		Marett Construction, Mr.Steve Marett, Les Chene, La Longue Rue, Grouville, Jersey, JE3 6ED, Ph: 854025, admin@marettconstruction.com			
SO17151	Measurer	Please give Steve a call half hour before. Possibly shutters and Venetians			
16:00 PM		Ms.Ana-Maria Veres, Flat 2 Leadon House, 96 St Saviour's Road, St Helier, JE2 4BA, Mob: 07829858186, anamariaveres@gmail.com			
SO17153	Measurer	To measure for blinds for patio door/window. They liked intu roller blinds. Please bring samples			



2450 high top

3000 2000 or 2500  
 CH CIPRO

## QUOTE

Job Ref No: UMB11673

Customer: CP Interiors

Quote Date: 16-09-2025

Customer Ref.: PATEL - V4

Contact Name:

Total Quantity: 2

Total Price: £ 4,653.18

Ref No.	Qty	System	Description	Unit price	Total Price
1	1	KuroLok Twin RL	<ul style="list-style-type: none"> <li>• Supplier: Umbra</li> <li>• Unit Type: mm</li> <li>• Product Type: KuroLok Twin RL</li> <li>• Blind reference: 1</li> <li>• Quantity: 1</li> <li>• Sizes given: Recess size</li> <li>• Width: 2925 ✓</li> <li>• Drop: 2160 ✓</li> <li>• Fabric: Spectrum 5010 1% ✓</li> <li>• Color: Cornsilk ✓</li> <li>• Hardware colour: White</li> <li>• Hembar: Type Z</li> <li>• Control type: RF 240v Somfy Sonesse 40 9 12</li> <li>• Side channel size: 35mm Channel</li> <li>• Control side: Right</li> <li>• Tube diameter: 65mm Tube</li> <li>• Cassette size: Cassette 100</li> <li>• Cable exit: Blank</li> <li>• Shelving: Yes</li> <li>• Top shelf length: 2925</li> <li>• Bottom shelf length: 2925</li> <li>• Left shelf length: 1906</li> <li>• Right shelf length: 1906</li> <li>• Orientation: Standard</li> <li>• Rollup diameter: 72.19</li> <li>• Max rollup diameter: 83</li> <li>• Side channel bracket: Yes</li> </ul>	3,261.69	3,261.69



## QUOTE

Job Ref No: UMB11673

Customer: CP Interiors

Quote Date: 16-09-2025

Customer Ref.: PATEL - V4

Contact Name:

Total Quantity: 2

Total Price: £ 4,653.18

Ref No.	Qty	System	Description	Unit price	Total Price
2	1	KuroLok RL	<ul style="list-style-type: none"><li>• Unit Type: mm</li><li>• Quantity: 1</li><li>• Width: 2930 ✓</li><li>• Drop: 2160 ✓</li><li>• Fabric: Spectrum 5010 1% ✓</li><li>• Color: Cornsilk ✓</li><li>• Cassette size: Cassette 100</li><li>• Sizes given: Recess size</li><li>• Cable exit: Blank</li><li>• Shelving: Yes</li><li>• Control type: RF 240v Somfy Sonesse 40 9 12</li><li>• Orientation: Standard</li><li>• Hardware colour: White</li><li>• Hembar: Type Z</li><li>• Side channel size: 35mm Channel</li><li>• Blind reference: 1</li><li>• Top shelf length: 2930</li><li>• Bottom shelf length: 2930</li><li>• Left shelf length: 1906</li><li>• Right shelf length: 1906</li><li>• Side channel bracket: Yes</li><li>• Hembar closure profile: No</li></ul>	1,373.24	1,373.24

Standard Next Day Delivery: £ 18.25

Grand Total: £ 4,653.18

Special Notes

Spectrum Supply Ltd t/a Umbra Shading, 31 Ystrad Road, SA5 4BT

The above pricing excludes VAT

Tel: 01792 562015 Email: sales@umbrashading.co.uk

Please note that the above pricing is based on this quotation being ordered in full on a single purchase order. Should you require these blinds in phases please discuss this



# CP INTERIORS

## QUOTE

To: Dina Patel  
Clos De Le Blanche Pierre  
La Rue De Le Blanche Pierre  
St Lawrence  
JE3 1EX

Job Number: SO17071 Q1

Quote Date: Monday 08 Sep 2025

Customer Reference: Orangery, Internal Master, External Master

Deposit required: 10,400.00

Your Contact: Rachel

Our Price Promise to you  
We are so confident our pricing is competitive, that we will beat any written quotation for equivalent product by 5%

To supply and fit unless otherwise stated.

Location	Product	Description	Qty	Price
Orangery	Skylight	1no Twin zip rooflight system, based on a screen fabric Spectrum cornsilk. Electrically operated with Somfy motors, remote control and standard white aluminium hardware.	1	} good to order straight away!
Orangery	Skylight	1no single zip rooflight system, based on a screen fabric Spectrum cornsilk. Electrically operated with Somfy motor, remote control and standard white aluminium hardware.	1	
Outside Bedroom	Awning / Canopy	Cassita awning, full cassette electrically operated awning, vibration sensor, powder coated frame in RAL9002 and acrylic My Collections 2 fabric AJ3-651 Silverbirch (as previous). Somfy IO operation with remote control and option to operate via smart home, tablet and voice controlled devices. 5.5m x 2.5m	1	} motor side? 5x3m.
	Installation	to be fully assessed prior to order, excludes bracketry install... to follow	1	
Bedroom	Honeycomb/Pleated blind	Apex motorised honeycomb blinds in 4 sections. Blackout fabric (colour TBC), white hardware. Includes somfy tilt/lift motors and single remote control to operate all blinds together  ** Light needs to be lowered before installation, not included**  electrical works and wiring not included	4	} fabric colour indication. Sona cannot send sample book yet. small samples only.

*dimensions are off - check drawing*

Terms: 40% deposit due with order, 40% on delivery & final 20% on completion	Subtotal	£ 24,761.90
** To go ahead with this quote please make deposit payment. To pay by card call us on 01534 768141 **	GST	£ 1,238.10
Direct Deposit - Sort Code: 60-12-03 Account: 66577772	Total	£ 26,000.00
	Paid amount	£ 0.00
If you have any queries please call us on 01534 768141 or visit our showroom Rue des Pres Trading Estate St Saviour	Total amount	£ 26,000.00

\*\* For Our Terms & Conditions of Sale please go to [www.cpinteriors.je](http://www.cpinteriors.je) \*\*

Please note: This quotation is only valid for acceptance for 7 days. Our estimate does not include any electrical work or additional carpentry work to install the above unless otherwise specified. Please note there is a handling charge on customer own fabric of £7.50 per metre. Due to high costs of labour, pre-arranged missed fitting appointments will be charged on a time-wasted basis. Settlement is due on completion of works and an administration charge of £25 will be added per month if unpaid within 30 days. We reserve the right to charge for design, advice and liaison work carried out should an order not be placed. Goods remain the property of CP Interiors until full settlement is received. Should payment not be received we reserve the right to attend premises during working hours to remove goods and not be required to make good. Our full terms and conditions apply and are available on request.





Configuration details

weinoor Ltd 73 Cornhill ECV3 3QQ London

C P Interiors

Rue Des Pres Trading Estate  
GB-JE2 7QN St Saviour Jersey

reference: PATEL  
Your order no.: 5017099  
weinoor customernumber: 65708  
creation Date: 23.09.2025  
weinoor pers. in charge: William Abbott  
phone / fax number: +49-221-59709-472  
representat.: Chris Spickett  
tel (representat.): +0044 (0) 7894443907

pos	quantity	article	price
1	1	weinoor Cassita II : private house : 500 cm Projection [cm] : 300 cm Base colour : Tiger 29/11065 RAL 9002 no. of arms : 2 Piece insulation [mm] : 0 mm bracket type 1 : wall fixing number of brackets 1 : 2 Piece FBI Force 1 per fixing point : 3101 N Torque per folding arm [Nm] : 558 Nm bracket position left [mm] : 90 mm bracket position right [mm] : 90 mm arm position left : 58 mm arm position right : 58 mm type of control : Remote-controlled motor IO Homecontrol Side of control (seen from the front) : left Hirschmann plug? : without Hirschmann plug control : hand transmitter Situo 1 to II by weinoor type of motor : Motor Sty Suneas50 to 40/17 ohne Zubehoer Somfy radio wind sensor io : with Somfy Eolis 3D WireFree io; black housing real-design : WE3-651 colour of thread Saba : RAL 7001 Silver grey Cardboard packaging : edges reinforcement weight : 65 Kg	3.990,86 3.059,00 456,86 60,00 139,00 73,00 201,00

weinoor Ltd  
73 Cornhill  
GB-ECV3 3QQ London  
weinoor.com

Managing Director:  
Tim Füllner  
General partner:  
Weinoor Beteiligungs-GmbH  
Köln

VAT no.: 335 2381 16  
Company no.: 12193066  
UTR no.: 3343124084  
EORI no.: GB33523816000

Domestic transfers:  
Commerzbank London  
Sort Code: 40 201  
Account Number: 307 53710

International transfers:  
Commerzbank London  
IBAN: GB55 0154 0062 0130 7537 10  
Swift: MIDLGB22 91CC08AGB2X

7/00/123/130288-0000 Z



Configuration details

weinoor Ltd 73 Cornhill ECV3 3QQ London

customer: 165708 reference: PATEL  
pos quantity article

value of goods GBP	discount amount	net GBP	VAT (0 %)	Total GBP
3.990,86	1.596,34	2.394,52	0,00	2.394,52

value of goods	discount amount / %	net
3.990,86	1.596,34 / 40,00	2.394,52

*Tamara - 23/09/25 checked*

weinoor Ltd  
73 Cornhill  
GB-ECV3 3QQ London  
weinoor.com

Managing Director:  
Tim Füllner  
General partner:  
Weinoor Beteiligungs-GmbH  
Köln

VAT no.: 335 2381 16  
Company no.: 12193066  
UTR no.: 3343124084  
EORI no.: GB33523816000

Domestic transfers:  
Commerzbank London  
Sort Code: 40 201  
Account Number: 307 53710

International transfers:  
Commerzbank London  
IBAN: GB55 0154 0062 0130 7537 10  
Swift: MIDLGB22 91CC08AGB2X

7/00/123/130288-0000 Z

