



CP INTERIORS

QUOTE

To:
 Ms.Melanie Littlechild
 Villa Hironnelle
 Langley Park
 St Saviour
 JE2 7ND

Job Number: SO17578 Q1
Customer Reference:
 Awning

Quote Date: Wednesday 18 Feb 2026
Deposit required: £ 2,022.30
Your Contact: Tamara

Our Price Promise to you
 We are so confident our pricing is competitive, that we will beat any written quotation for equivalent product by 5%

To supply and fit unless otherwise stated.

Location	Product	Description	Qty	Price
Decking Area	Awning / Canopy	Weinor Cassita II electrically operated awning with full cassette (no valance) and vibration sensor, powder coated in WT029/70786 Sparkling Iron Effect, in WE3-634 Moon fabric. Right-hand side motor. Size: 3.5m wide x 2.5m projection. Includes remote control.	1	£ 4,526.00
		Electrical works not included		
			Discount	£ 674.00

Terms: 50% deposit due with order, 50% on completion

**** To go ahead with this quote please make deposit payment. To pay by card call us on 01534 768141 ****

Direct Deposit - Sort Code: 60-12-03 Account: 66577772

If you have any queries please call us on 01534 768141 or visit our showroom Rue des Pres Trading Estate St Saviour

**** For Our Terms & Conditions of Sale please go to www.cpinteriors.je ****

Subtotal	£ 3,852.00
GST	£ 192.60
Total	£ 4,044.60
Paid amount	£ 0.00
Total amount	£ 4,044.60

Please note: This quotation is only valid for acceptance for 7 days. Our estimate does not include any electrical work or additional carpentry work to install the above unless otherwise specified. Please note there is a handling charge on customer own fabric of £7.50 per metre. Due to high costs of labour, pre-arranged missed fitting appointments will be charged on a time-wasted basis. Settlement is due on completion of works and an administration charge of £25 will be added per month if unpaid within 30 days. We reserve the right to charge for design, advice and liaison work carried out should an order not be placed. Goods remain the property of CP Interiors until full settlement is received. Should payment not be received we reserve the right to attend premises during working hours to remove goods and not be required to make good. Our full terms and conditions apply and are available on request.

weinor Ltd 73 Cornhill EC3V 3QQ London

C P Interiors

**Rue Des Pres Trading Estate
GB-JE2 7QN St Saviour Jersey**

delivery address

DSV Road Ltd
(NO UPS)
10 Brunel Way, Segensworth Industrial Estate
GB-PO15 5TX Hampshire, Fareham
NO UPS

ORDER CONFIRMATION (release 1)

sales order no.: 202952003 of 20.02.2026
customer: 165708
reference: SO17578
Your order no.: Littlechild
contact person: William Abbott
E-Mail: WAbbott@weinor.de
phone number: +49-221-59709-472
representat. 654 Chris Spickett
tel (representat.): 0044 (0) 7894443907

pos	quantity	article code
-----	----------	--------------

1	1,00	1308	Cassita II spring campaign
---	------	------	----------------------------

Anticipated delivery	: 16.03.2026		
width [cm]	: 350	cm	
Projection [cm]	: 250	cm	2.506,00
Basic colour	: WT029/70786 Sparkling Iron Effect		
Anzahl Arme	: 2	Piece	
Bonus selection	: Somfy io control including Situo io Pure handset and Sunea io motor upgrade		
insulation [mm]	: 0	mm	
bracket type 1	: wall fixing		
number of brackets 1	: 2	Piece	62,00

weinor Ltd
73 Cornhill
GB-EC3V 3QQ London
weinor.com

Managing Director:
Tim Földner
General partner:
Weinor Beteiligungs-GmbH
Köln

VAT no.: 335 2381 16
Company no.: 12193066
UTR no.: 33431 24084
EORI no.: GB335238116000

Domestic transfers:
Commerzbank London
Sort Code: 406201
Account Number: 307 537 10

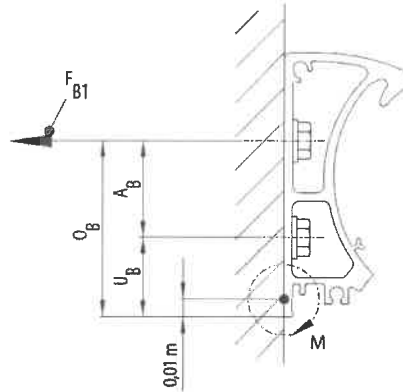
International transfers:
Commerzbank London
IBAN: GB51 COBA 4062 0130 7537 10
Swift: MIDLGB22 a/c COBAGB2X

weinor Ltd 73 Cornhill EC3V 3QQ London

customer: 165708 sales order 202952003

Page 2 of 3

pos	quantity	article code
-----	----------	--------------



Force 1 means the pull-out force per upper fastener F(B).

FB1 Force 1 per fixing point	: 1661	N
M = Torque per folding arm	: 299	Nm

Please note that your selected awning configuration results in the following forces per upper fixing point (pull-out, lateral and/or shear forces). These must be accounted for by using suitable fixings.

bracket position left [mm]	: 90	mm
bracket position right [mm]	: 90	mm
arm position left	: 58	mm
arm position right	: 58	mm
type of control	: Remote-controlled motor IO Homecontrol	
Side of control (seen from the front)	: right	
control	: hand transmitter Situo 5 io II by weinor	
Type of engine	: Motor Sfy Sunea50 io 40/17 ohne Zubehör	
Somfy radio wind sensor io	: with Somfy Eolis 3D WireFree io; black housing	
real-design	: WE3-634	moon, my collections 2
Glue fabric?	: no, sewn fabric	
colour of thread Saba	: RAL 7001 Silver grey	
Cardboard container	: edges reinforcement	
weight	: 50	kg

weinor Ltd
73 Cornhill
GB-EC3V 3QQ London
weinor.com

Managing Director:
Tim Földner
General partner:
WeinorBeteiligungs-GmbH
Köln

VAT no.: 335 2381 16
Company no.: 12193066
UTR no.: 33431 24084
EORI no.: GB335238116000

Domestic transfers:
Commerzbank London
Sort Code: 406201
Account Number: 307 537 10
International transfers:
Commerzbank London
IBAN: GB51 COBA 4062 0130 7537 10
Swift: MIDLGB22 a/c COBAGB2X

weinor Ltd 73 Cornhill EC3V 3QQ London

customer: 165708 sales order 202952003

Page 3 of 3

pos	quantity	article code
-----	----------	--------------

value of goods	discount amount / %	net
2.568,00	1.027,20 / 40,00	1.540,80

value of goods	discount amount	net	VAT (0 %)	Total GBP
2.568,00	1.027,20	1.540,80	0,00	1.540,80

Our spoken and written advice focuses on an explanation of the best possible use of our products and services. It does not liberate you from the obligation to check fitness of our products and services for your particular purpose. That includes the inspection of the general condition and especially maximum capacity load of fixing base as well as forwarding all respective information in addition to your order to weinor. That way delivery of the correct type and number of brackets is guaranteed. If our product can not be used as upon agreement due to false or lacking information we or any auxiliary person do accept contractual or non-contractual liabilities only in case of malicious intent or gross negligence.

In order to mount all brackets corresponding their fixing base you will need suitable mounting systems. For mounting on concrete C20/25 we recommend heavy duty anchor-systems from fischer (e.g. FAZ II M12/10 GS or FAZ II M12/30 GS). In case of mounting on any other base referred to in our pricelist or on frontal concrete ceiling we recommend the use of injection systems from fischer (e.g. FIS V 360 S). You can order them directly from us.

If you use a different mounting system or your own brackets, you will need a table of pull-out resistance of screw anchors in order to determine the working load.

In addition, our General Terms of Delivery and Payment as per 01/2024, published under the link provided below are valid and we are happy to provide you with them free of charge upon request.

<https://www.weinor.com/terms-and-conditions/>

delivery exw Cologne
 payment: With direct debit 5% discount payment
 mode of dispatch UK export

weinor Ltd
 73 Cornhill
 GB-EC3V 3QQ London
 weinor.com

Managing Director:
 Tim Földner
 General partner:
 Weinor Beteiligungs-GmbH
 Köln

VAT no.: 335 2381 16
 Company no.: 12193066
 UTR no.: 33431 24084
 EORI no.: GB335238116000

Domestic transfers:
 Commerzbank London
 Sort Code: 406201
 Account Number: 307 537 10

International transfers:
 Commerzbank London
 IBAN: GB51 COBA 4062 0130 7537 10
 Swift: MIDLGB22 a/c COBAGB2X

Configuration details

weinor Ltd 73 Cornhill EC3V 3QQ London

C P Interiors

Rue Des Pres Trading Estate
GB-JE2 7QN St Saviour Jersey

reference: SO17578
Your order no.: Littlechild
weinor customernumber: 165708
creation Date: 16.02.2026
weinor pers. in charge: William Abbott
phone / fax number: +49-221-59709-472
representat.: Chris Spickett
tel (representat.): 0044 (0) 7894443907

pos	quantity	article	price
1	1	weinor Cassita II spring campaign	2.568,00
		Scheduling delivery : Please contact your person in charge for planning the expected date of delivery.	
		Product use : private house	
		width [cm] : 350 cm	
		Projection [cm] : 250 cm	2.506,00
		Basic colour : WT029/70786 Sparkling Iron Effect	
		Anzahl Arme : 2 Piece	
		Bonus selection : Somfy io control including Situo io Pure handset and Sunea io motor upgrade	
		insulation [mm] : 0 mm	
		bracket type 1 : wall fixing	
		number of brackets 1 : 2 Piece	62,00
		FB1 Force 1 per fixing point : 1661 N	
		M = Torque per folding arm : 299 Nm	
		bracket position left [mm] : 90 mm	
		bracket position right [mm] : 90 mm	
		arm position left : 58 mm	
		arm position right : 58 mm	
		type of control : Remote-controlled motor IO Homecontrol	
		Side of control (seen from the front) : right	
		control : hand transmitter Situo 5 io II by weinor	
		Type of engine : Motor Sfy Sunea50 io 40/17 ohne Zubehör	
		Somfy radio wind sensor io : with Somfy Eolis 3D WireFree io; black housing	
		real-design : WE3-634	
		Glue fabric? : no, sewn fabric	

weinor Ltd
73 Cornhill
GB-EC3V 3QQ London
weinor.com

Managing Director:
Tim Földner
General partner:
Weinor Beteiligungs-GmbH
Köln

VAT no.: 335 2381 16
Company no.: 12193066
UTR no.: 33431 24084
EORI no.: GB335238116000

Domestic transfers:
Commerzbank London
Sort Code: 406201
Account Number: 307 537 10

International transfers:
Commerzbank London
IBAN: GB51 COBA 4062 0130 7537 10
Swift: MIDLGB22 a/c COBAGB2X

Configuration details

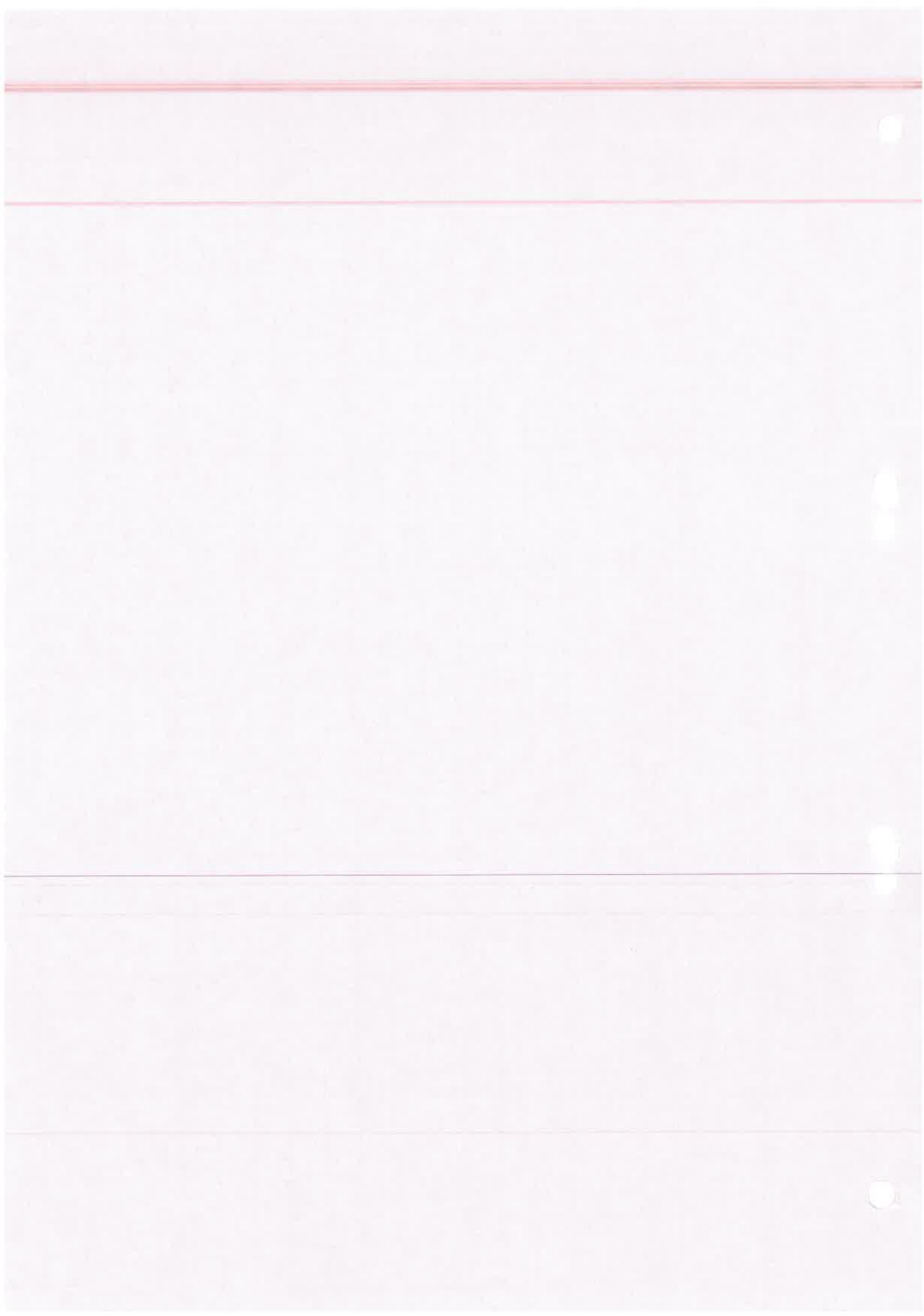
weinor Ltd 73 Cornhill EC3V 3QQ London

customer: 165708 reference: SO17578 Page 2 of 2

pos	quantity	article	price
		colour of thread Saba	⌚ RAL 7001 Silver grey
		Cardboard container	⌚ edges reinforcement
		weight	⌚ 50 kg

	value of goods	discount amount / %	net
	2.568,00	1.027,20 / 40,00	1.540,80

value of goods GBP	discount amount	net GBP	VAT (0 %)	Total GBP
2.568,00	1.027,20	1.540,80	0,00	1.540,80



weinor Ltd 73 Cornhill EC3V 3QQ London

C P Interiors

**Rue Des Pres Trading Estate
GB-JE2 7QN St Saviour Jersey**

delivery address

DSV Road Ltd
(NO UPS)
10 Brunel Way, Segensworth Industrial Estate
GB-PO15 5TX Hampshire, Fareham
NO UPS

ORDER CONFIRMATION (release 1)

sales order no.: 202882254 of 07.02.2025
customer: 165708
reference: Littlechild
Your order no.: SO16427
contact person: William Abbott
E-Mail: WAbbott@weinor.de
phone number: +49-221-59709-472
representat.: 654 Chris Spickett
tel (representat.): 0044 (0) 7894443907

pos	quantity	article code
-----	----------	--------------

1	1,00	1303 Cassita II
---	------	-----------------

Anticipated delivery	: 03.03.2025		
Product use	: private house		
width [cm]	: 440	cm	
Projection [cm]	: 250	cm	2.745,00
Basic colour	: WT029/70786 Sparkling Iron Effect		
no. of arms	: 2	Piece	
insulation [mm]	: 0	mm	
bracket type 1	: wall fixing		
number of brackets 1	: 2	Piece	60,00

ORIGINAL ORDER

weinor Ltd
73 Cornhill
GB-EC3V 3QQ London
weinor.com

Managing Director:
Tim Fuldner
General partner:
Weinor Beteiligungs-GmbH
Köln

VAT no.: 335 2381 16
Company no.: 12193066
UTR no.: 33431 24084
EORI no.: GB335238116000

Domestic transfers:
Commerzbank London
Sort Code: 406201
Account Number: 307 537 10

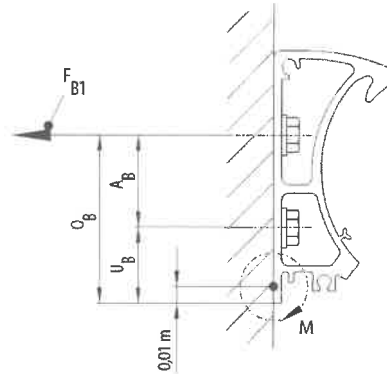
International transfers:
Commerzbank London
IBAN: GB51 COBA 4062 0130 7537 10
Swift: MIDLGB22 a/c COBAGB2X

weinor Ltd 73 Cornhill EC3V 3QQ London

customer: 165708 sales order 202882254

Page 2 of 3

pos quantity article code



Force 1 means the pull-out force per upper fastener F(B).

FB1 Force 1 per fixing point : 2043 N

M = Torque per folding arm : 368 Nm

Please note that your selected awning configuration results in the following forces per upper fixing point (pull-out, lateral and/or shear forces). These must be accounted for by using suitable fixings.

bracket position left [mm] : 90 mm

bracket position right [mm] : 90 mm

arm position left : 58 mm

arm position right : 58 mm

type of control : Remote-controlled motor IO Homecontrol 137,00

Side of control (seen from the front) : Left

Hirschmann plug? : without Hirschmann plug

control : hand transmitter Situo 1 io II by weinor 83,00

Type of engine : Motor Sfy Sunea50 io 40/17 ohne Zubehör

Somfy radio wind sensor io : with Somfy Eolis 3D WireFree io; black housing 199,00

real-design : WE3-634 moon, my collections 2

colour of thread Saba : RAL 7001 Silver grey

Cardboard container : edges reinforcement

weight : 58 kg

weinor Ltd 73 Cornhill EC3V 3QQ London

customer: 165708 sales order 202882254

Page 3 of 3

pos	quantity	article code
-----	----------	--------------

value of goods	discount amount / %	net
3.224,00	1.289,60 / 40,00	1.934,40

value of goods	discount amount	net	VAT (0 %)	Total GBP
3.224,00	1.289,60	1.934,40	0,00	1.934,40

Our spoken and written advice focuses on an explanation of the best possible use of our products and services. It does not liberate you from the obligation to check fitness of our products and services for your particular purpose. That includes the inspection of the general condition and especially maximum capacity load of fixing base as well as forwarding all respective information in addition to your order to weinor. That way delivery of the correct type and number of brackets is guaranteed. If our product can not be used as upon agreement due to false or lacking information we or any auxiliary person do accept contractual or non-contractual liabilities only in case of malicious intent or gross negligence.

In order to mount all brackets corresponding their fixing base you will need suitable mounting systems. For mounting on concrete C20/25 we recommend heavy duty anchor-systems from fischer (e.g. FAZ II M12/10 GS or FAZ II M12/30 GS). In case of mounting on any other base referred to in our pricelist or on frontal concrete ceiling we recommend the use of injection systems from fischer (e.g. FIS V 360 S). You can order them directly from us.

If you use a different mounting system or your own brackets, you will need a table of pull-out resistance of screw anchors in order to determine the working load.

In addition, our General Terms of Delivery and Payment as per 01/2024, published under the link provided below are valid and we are happy to provide you with them free of charge upon request.

<https://www.weinor.com/terms-and-conditions/>

delivery exw Cologne
 payment: With direct debit 5% discount payment
 mode of dispatch UK export

weinor Ltd
 73 Cornhill
 GB-EC3V 3QQ London
 weinor.com

Managing Director:
 Tim Földner
 General partner:
 Weinor Beteiligungs-GmbH
 Köln

VAT no.: 335 2381 16
 Company no.: 12193066
 UTR no.: 33431 24084
 EORI no.: GB335238116000

Domestic transfers:
 Commerzbank London
 Sort Code: 406201
 Account Number: 307 537 10

International transfers:
 Commerzbank London
 IBAN: GB51 COBA 4062 0130 7537 10
 Swift: MIDLGB22 a/c COBAGB2X



CP INTERIORS

QUOTE

To:
Ms.Melanie Littlechild
Villa Hironnelle
Langley Park
St Saviour
JE2 7ND

Job Number: SO17578 Q1
Customer Reference:
Awning

Quote Date: Wednesday 18 Feb 2026
Deposit required: £ 2,376.15
Your Contact: Tamara

Our Price Promise to you
We are so confident our pricing is competitive, that we will beat any written quotation for equivalent product by 5%

To supply and fit unless otherwise stated.

Location	Product	Description	Qty	Price
Decking Area	Awning / Canopy	Weinor Cassita II electrically operated awning with full cassette (no valance) and vibration sensor, powder coated in WT029/70786 Sparkling Iron Effect, in WE3-634 Moon fabric. Right-hand side motor. Size: 3.5m wide x 2.5m projection. Includes remote control. *Electrical works not included* **If you order before the 30th of April 2026, a special discount of £674 for motorisation will be applied**	1	£ 4,526.00

Terms: 50% deposit due with order, 50% on completion

**** To go ahead with this quote please make deposit payment. To pay by card call us on 01534 768141 ****

Direct Deposit - Sort Code: 60-12-03 Account: 66577772

If you have any queries please call us on 01534 768141 or visit our showroom Rue des Pres Trading Estate St Saviour

**** For Our Terms & Conditions of Sale please go to www.cpinteriors.je ****

Subtotal	£ 4,526.00
GST	£ 226.30
Total	£ 4,752.30
Paid amount	£ 0.00
Total amount	£ 4,752.30

Please note: This quotation is only valid for acceptance for 7 days. Our estimate does not include any electrical work or additional carpentry work to install the above unless otherwise specified. Please note there is a handling charge on customer own fabric of £7.50 per metre. Due to high costs of labour, pre-arranged missed fitting appointments will be charged on a time-wasted basis. Settlement is due on completion of works and an administration charge of £25 will be added per month if unpaid within 30 days. We reserve the right to charge for design, advice and liaison work carried out should an order not be placed. Goods remain the property of CP Interiors until full settlement is received. Should payment not be received we reserve the right to attend premises during working hours to remove goods and not be required to make good. Our full terms and conditions apply and are available on request.



CP INTERIORS

QUOTE

To:
Ms.Melanie Littlechild
Villa Hironnelle
Langley Park
St Saviour
JE2 7ND

Job Number: SO17578 Q1

Quote Date: Monday 16 Feb 2026

Customer Reference:

Deposit required: £ 2,376.15

Awning

Your Contact: Tamara

Our Price Promise to you

We are so confident our pricing is competitive, that we will beat any written quotation for equivalent product by 5%

To supply and fit unless otherwise stated.

Location	Product	Description	Qty	Price
Decking Area	Awning / Canopy	Weinor Cassita II electrically operated awning with full cassette (no valance) and vibration sensor, powder coated in WT029/70786 Sparkling Iron Effect, in WE3-634 Moon fabric. Right-hand side motor. Size: 3.5m wide x 2.5m projection. Includes remote control.	1	£ 4,526.00

Electrical works not included



If you order before the 30th of April 2026, a special discount of £674 for motorisation will be applied

Terms: 50% deposit due with order, 50% on completion

Subtotal £ 4,526.00

**** To go ahead with this quote please make deposit payment. To pay by card call us on 01534 768141 ****

GST £ 226.30

Direct Deposit - Sort Code: 60-12-03 Account: 66577772

Total £ 4,752.30

If you have any queries please call us on 01534 768141 or visit our showroom Rue des Pres Trading Estate St Saviour

Paid amount £ 0.00

Total amount £ 4,752.30

** For Our Terms & Conditions of Sale please go to www.cpinteriors.je **

Please note: This quotation is only valid for acceptance for 7 days. Our estimate does not include any electrical work or additional carpentry work to install the above unless otherwise specified. Please note there is a handling charge on customer own fabric of £7.50 per metre. Due to high costs of labour, pre-arranged missed fitting appointments will be charged on a time-wasted basis. Settlement is due on completion of works and an administration charge of £25 will be added per month if unpaid within 30 days. We reserve the right to charge for design, advice and liaison work carried out should an order not be placed. Goods remain the property of CP Interiors until full settlement is received. Should payment not be received we reserve the right to attend premises during working hours to remove goods and not be required to make good. Our full terms and conditions apply and are available on request.



Configuration details

weinor Ltd 73 Cornhill EC3V 3QQ London

C P Interiors

**Rue Des Pres Trading Estate
GB-JE2 7QN St Saviour Jersey**

reference: SO17578
 Your order no.: Littlechild
 weinor customernumber: 165708
 creation Date: 16.02.2026
 weinor pers. in charge: William Abbott
 phone / fax number: +49-221-59709-472
 representat.: Chris Spickett
 tel (representat.): 0044 (0) 7894443907

pos	quantity	article	price
1	1	weinor Cassita II spring campaign	2.568,00
		Scheduling delivery : Please contact your person in charge for planning the expected date of delivery.	
		Product use : private house	
		width [cm] : 350 cm	
		Projection [cm] : 250 cm	2.506,00
		Basic colour : WT029/70786 Sparkling Iron Effect	
		Anzahl Arme : 2 Piece	
		Bonus selection : Somfy io control including Situo io Pure handset and Sunea io motor upgrade	
		insulation [mm] : 0 mm	
		bracket type 1 : wall fixing	
		number of brackets 1 : 2 Piece	62,00
		FB1 Force 1 per fixing point : 1661 N	
		M = Torque per folding arm : 299 Nm	
		bracket position left [mm] : 90 mm	
		bracket position right [mm] : 90 mm	
		arm position left : 58 mm	
		arm position right : 58 mm	
		type of control : Remote-controlled motor IO Homecontrol	
		Side of control (seen from the front) : right	
		control : hand transmitter Situo 5 io II by weinor	
		Type of engine : Motor Sfy Sunea50 io 40/17 ohne Zubehör	
		Somfy radio wind sensor io : with Somfy Eolis 3D WireFree io; black housing	
		real-design : WE3-634	
		Glue fabric? : no, sewn fabric	

weinor Ltd
73 Cornhill
GB-EC3V 3QQ London
weinor.com

Managing Director:
Tim Fuldner
General partner:
Weinor Beteiligungs-GmbH
Köln

VAT no.: 335 2381 16
Company no.: 12193066
UTR no.: 33431 24084
EORI no.: GB335238116000

Domestic transfers:
Commerzbank London
Sort Code: 406201
Account Number: 307 537 10

International transfers:
Commerzbank London
IBAN: GB51 COBA 4062 0130 7537 10
Swift: MIDLGB22 a/c COBAGB2X

Configuration details

weinor Ltd 73 Cornhill EC3V 3QQ London

customer: 165708 reference: SO17578 Page 2 of 3

pos	quantity	article	price
		colour of thread Saba : RAL 7001 Silver grey	
		Cardboard container : edges reinforcement	
		weight : 50 kg	

	value of goods	discount amount / %	net
	2.568,00	1.027,20 / 40,00	1.540,80

[3,852

Configuration details

weinor Ltd 73 Cornhill EC3V 3QQ London

customer: 165708 reference: SO17578 Page 3 of 3

pos quantity article price

2 1 weinor Cassita II 3.017,00

Scheduling delivery	: Please contact your person in charge for planning the expected date of delivery.	
Product use	: private house	
width [cm]	: 350 cm	
Projection [cm]	: 250 cm	2.506,00
Basic colour	: WT029/70786 Sparkling Iron Effect	
Anzahl Arme	: 2 Piece	
insulation [mm]	: 0 mm	
bracket type 1	: wall fixing	
number of brackets 1	: 2 Piece	62,00
FB1 Force 1 per fixing point	: 1661 N	
M = Torque per folding arm	: 299 Nm	
bracket position left [mm]	: 90 mm	
bracket position right [mm]	: 90 mm	
arm position left	: 58 mm	
arm position right	: 58 mm	
type of control	: Remote-controlled motor IO Homecontrol	143,00
Side of control (seen from the front)	: right	
Hirschmann plug?	: without Hirschmann plug	
control	: hand transmitter Situo 5 io II by weinor	99,00
Type of engine	: Motor Sfy Sunea50 io 40/17 ohne Zubehör	
Somfy radio wind sensor io	: with Somfy Eolis 3D WireFree io; black housing	207,00
real-design	: WE3-634	
colour of thread Saba	: RAL 7001 Silver grey	
Cardboard container	: edges reinforcement	
weight	: 50 kg	

	value of goods	discount amount / %	net
	3.017,00	1.206,80 / 40,00	1.810,20

£4.526

value of goods GBP	discount amount	net GBP	VAT (0 %)	Total GBP
5.585,00	2.234,00	3.351,00	0,00	3.351,00

weinor Ltd
73 Cornhill
GB-EC3V 3QQ London
weinor.com

Managing Director:
Tim Földner
General partner:
Weinor Beteiligungs-GmbH
Köln

VAT no.: 335 2381 16
Company no.: 12193066
UTR no.: 33431 24084
EORI no.: GB335238116000

Domestic transfers:
Commerzbank London
Sort Code: 406201
Account Number: 307 537 10

International transfers:
Commerzbank London
IBAN: GB51 COBA 4062 0130 7537 10
Swift: MIDLGB22 a/c COBAGB2X

