



CP INTERIORS

QUOTE

To:
 Mrs. Hilary Lambert
 Hillside Cottage
 La Cheve Rue
 St Mary
 JE3 3EN

Job Number: SO17534 Q1

Quote Date: Friday 30 Jan 2026

Customer Reference:

Deposit required: £ 2,149.35

Your Contact: Tamara

Our Price Promise to you

We are so confident our pricing is competitive, that we will beat any written quotation for equivalent product by 5%

To supply and fit unless otherwise stated.

Location	Product	Description	Qty	Price
House	Awning / Canopy	Weinor Cassita, manually operated, with full cassette (no valance), powder coated in 9016 white, in Weinor fabric A3-879 Sahara. Left-hand side crank. Size 4.8m wide x 2.5m projection.	1	£ 4,094.00

Terms: 50% deposit due with order, 50% on completion

Subtotal £ 4,094.00

**** To go ahead with this quote please make deposit payment. To pay by card call us on 01534 768141 ****

GST £ 204.70

Direct Deposit - Sort Code: 60-12-03 Account: 66577772

Total £ 4,298.70

If you have any queries please call us on 01534 768141 or visit our showroom Rue des Pres Trading Estate St Saviour

Paid amount £ 0.00

Total amount £ 4,298.70

**** For Our Terms & Conditions of Sale please go to www.cpinteriors.je ****

Please note: This quotation is only valid for acceptance for 7 days. Our estimate does not include any electrical work or additional carpentry work to install the above unless otherwise specified. Please note there is a handling charge on customer own fabric of £7.50 per metre. Due to high costs of labour, pre-arranged missed fitting appointments will be charged on a time-wasted basis. Settlement is due on completion of works and an administration charge of £25 will be added per month if unpaid within 30 days. We reserve the right to charge for design, advice and liaison work carried out should an order not be placed. Goods remain the property of CP Interiors until full settlement is received. Should payment not be received we reserve the right to attend premises during working hours to remove goods and not be required to make good. Our full terms and conditions apply and are available on request.

RB

weinor Ltd 73 Cornhill EC3V 3QQ London

C P Interiors

**Rue Des Pres Trading Estate
GB-JE2 7QN St Saviour Jersey**

delivery address

DSV Road Ltd
(NO UPS)
10 Brunel Way, Segensworth Industrial Estate
GB-PO15 5TX Hampshire, Fareham
NO UPS

ORDER CONFIRMATION (release 1)

sales order no.: 202951368 of 17.02.2026
customer: 165708
reference: Lambert
Your order no.: SO17534
contact person: William Abbott
E-Mail: WAbbott@weinor.de
phone number: +49-221-59709-472
representat. 654 Chris Spickett
tel (representat.): 0044 (0) 7894443907

pos	quantity	article code
-----	----------	--------------

1	1,00	1303 Cassita II
---	------	-----------------

Scheduling delivery	:	Please contact your person in charge for planning the expected date of delivery.	
Product use	:	private house	
width (cm)	:	480	cm
Projection [cm]	:	250	cm
Base colour	:	RAL 9016 white	
	:	<input type="text"/>	
no. of arms	:	2	Piece
insulation [mm]	:	0	mm
bracket type 1	:	wall fixing	
number of brackets 1	:	2	Piece
			62,00
			3.009,00

weinor Ltd
73 Cornhill
GB-EC3V 3QQ London
weinor.com

Managing Director:
Tim Földner
General partner:
Weinor Beteiligungs-GmbH
Köln

VAT no.: 335 2381 16
Company no.: 12193066
UTR no.: 33431 24084
EORI no.: GB335238116000

Domestic transfers:
Commerzbank London
Sort Code: 406201
Account Number: 307 537 10

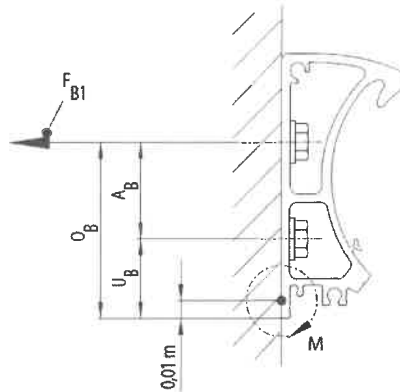
International transfers:
Commerzbank London
IBAN: GB51 COBA 4062 0130 7537 10
Swift: MIDLGB22 a/c COBAGB2X

weinor Ltd 73 Cornhill EC3V 3QQ London

customer: 165708 sales order 202951368

Page 2 of 3

pos quantity article code



Force 1 means the pull-out force per upper fastener F(B).

FB1 Force 1 per fixing point : 2181 N
 Torque per folding arm [Nm] : 393 Nm

Please note that your selected awning configuration results in the following forces per upper fixing point (pull-out, lateral and/or shear forces). These must be accounted for by using suitable fixings.

bracket position left [mm] : 90 mm
 bracket position right [mm] : 90 mm
 arm position left : 58 mm
 arm position right : 58 mm
 type of control : crank -258,00
 Side of control (seen from the front) : left
 length of handle : 160 cm
 real-design : WE3-879 sahara, my collections 2
 colour of thread Saba : dunkelbeige
 Cardboard packaging : edges reinforcement
 weight : 61 kg

value of goods	discount amount / %	net
2.813,00	1.125,20 / 40,00	1.687,80

weinor Ltd
 73 Cornhill
 GB-EC3V 3QQ London
 weinor.com

Managing Director:
 Tim Földner
 General partner:
 Weinor Beteiligungs-GmbH
 Köln

VAT no.: 335 2381 16
 Company no.: 12193066
 UTR no.: 33431 24084
 EORI no.: GB335238116000

Domestic transfers:
 Commerzbank London
 Sort Code: 406201
 Account Number: 307 537 10

International transfers:
 Commerzbank London
 IBAN: GB51 COBA 4062 0130 7537 10
 Swift: MIDLGB22 a/c COBAGB2X

weinor Ltd 73 Cornhill EC3V 3QQ London

customer: 165708 sales order 202951368

Page 3 of 3

pos	quantity	article code
-----	----------	--------------

value of goods	discount amount	net	VAT (0 %)	Total GBP
2.813,00	1.125,20	1.687,80	0,00	1.687,80

Our spoken and written advice focuses on an explanation of the best possible use of our products and services. It does not liberate you from the obligation to check fitness of our products and services for your particular purpose. That includes the inspection of the general condition and especially maximum capacity load of fixing base as well as forwarding all respective information in addition to your order to weinor. That way delivery of the correct type and number of brackets is guaranteed. If our product can not be used as upon agreement due to false or lacking information we or any auxiliary person do accept contractual or non-contractual liabilities only in case of malicious intent or gross negligence.

In order to mount all brackets corresponding their fixing base you will need suitable mounting systems. For mounting on concrete C20/25 we recommend heavy duty anchor-systems from fischer (e.g. FAZ II M12/10 GS or FAZ II M12/30 GS). In case of mounting on any other base referred to in our pricelist or on frontal concrete ceiling we recommend the use of injection systems from fischer (e.g. FIS V 360 S). You can order them directly from us.

If you use a different mounting system or your own brackets, you will need a table of pull-out resistance of screw anchors in order to determine the working load.

In addition, our General Terms of Delivery and Payment as per 01/2024, published under the link provided below are valid and we are happy to provide you with them free of charge upon request.

<https://www.weinor.com/terms-and-conditions/>

delivery exw Cologne
 payment: With direct debit 5% discount payment
 mode of dispatch UK export

weinor Ltd
 73 Cornhill
 GB-EC3V 3QQ London
 weinor.com

Managing Director:
 Tim Földner
 General partner:
 Weinor Beteiligungs-GmbH
 Köln

VAT no.: 335 2381 16
 Company no.: 12193066
 UTR no.: 33431 24084
 EORI no.: GB335238116000

Domestic transfers:
 Commerzbank London
 Sort Code: 406201
 Account Number: 307 537 10

International transfers:
 Commerzbank London
 IBAN: GB51 COBA 4062 0130 7537 10
 Swift: MIDLGB22 a/c COBAGB2X

Configuration details

weinor Ltd 73 Cornhill EC3V 3QQ London

C P Interiors

Rue Des Pres Trading Estate
GB-JE2 7QN St Saviour Jersey

reference: Lambert
Your order no.: SO17534
weinor customernumber: 165708
creation Date: 03.02.2026
weinor pers. in charge: William Abbott
phone / fax number: +49-221-59709-472
representat.: Chris Spickett
tel (representat.): 0044 (0) 7894443907

pos	quantity	article	price
1	1	weinor Cassita II	2.813,00

Product use	: private house	
width [cm]	: 480 cm	
Projection [cm]	: 250 cm	3.009,00
Basic colour	: RAL 9016 white	
Anzahl Arme	: 2 Piece	
insulation [mm]	: 0 mm	
bracket type 1	: wall fixing	
number of brackets 1	: 2 Piece	62,00
FB1 Force 1 per fixing point	: 2181 N	
M = Torque per folding arm	: 393 Nm	
bracket position left [mm]	: 90 mm	
bracket position right [mm]	: 90 mm	
arm position left	: 58 mm	
arm position right	: 58 mm	
type of control	: crank	
Side of control (seen from the front)	: left	-258,00
length of handle	: 160 cm	
real-design	: WE3-879	
colour of thread Saba	:	
Cardboard container	: edges reinforcement	
weight	: 61 kg	

RB checked

weinor Ltd
73 Cornhill
GB-EC3V 3QQ London
weinor.com

Managing Director:
Tim Fuldner
General partner:
Weinor Beteiligungs-GmbH
Köln

VAT no.: 335 2381 16
Company no.: 12193066
UTR no.: 33431 24084
EORI no.: GB335238116000

Domestic transfers:
Commerzbank London
Sort Code: 406201
Account Number: 307 537 10

International transfers:
Commerzbank London
IBAN: GB51 COBA 4062 0130 7537 10
Swift: MIDLGB22 a/c COBAGB2X

Configuration details

weinor Ltd 73 Cornhill EC3V 3QQ London

customer: 165708 reference: Lambert Page 2 of 2

pos	quantity	article	value of goods	discount amount / %	net price
			2.813,00	1.125,20 / 40,00	1.687,80
value of goods GBP		discount amount	net GBP	VAT (0 %)	Total GBP
2.813,00		1.125,20	1.687,80	0,00	1.687,80

Staff Name Ben
Order No SO17534
Surveyor Measurer
Contact Address Hilary Lambert
 Hillside Cottage La Cheve Rue St Mary JE3 3EN hilarylambert@hotmail.com 07797774489
Customer Ref
Date 26-01-2026
Time 14:30 PM
 Account Manager: Tamara

Notes : To measure for a new awning. Client has samples.

Location	Supplier	Blind Type /Description	Colour	Qty	Width	Drop	Fitting Height	B or R	Controls	Brackets	Surface	Unit Price
	Weaver	Cassite	White	1	2800	2500			LHC			
		manvel										
		A3-879										
		Schara										

Comments:

Surface Fixing
 C=Concrete
 W=Wood
 M=Metal
 B=Brick
 P=Plastic
 T=Tile

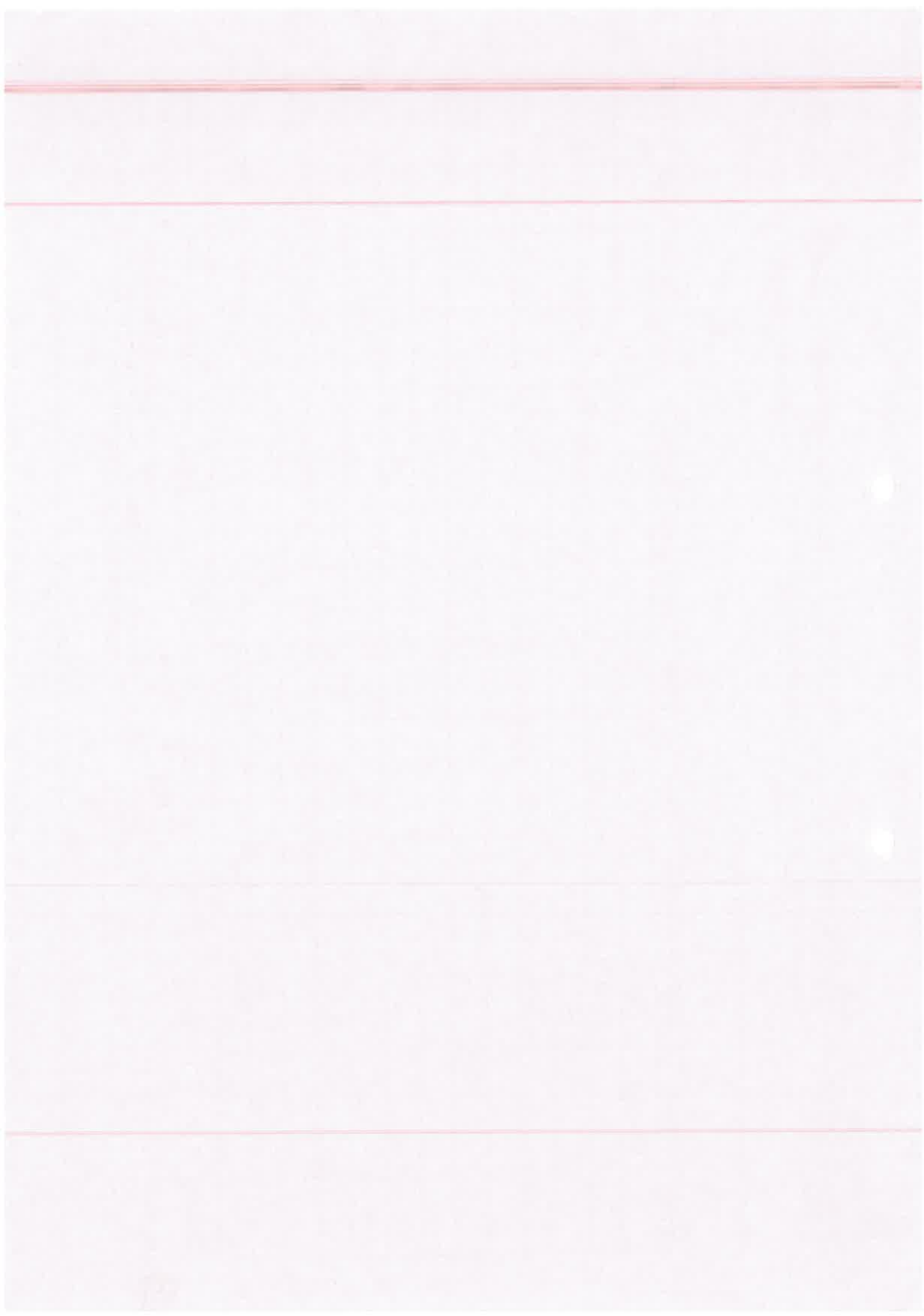
Order

Customer Signature

I have checked and agree with the above choices

Quote

Target Fitting Date



Configuration details

weinor Ltd 73 Cornhill EC3V 3QQ London

C P Interiors

Rue Des Pres Trading Estate
GB-JE2 7QN St Saviour Jersey

reference: Lambert
Your order no.: SO17534
weinor customernumber: 165708
creation Date: 03.02.2026
weinor pers. in charge: William Abbott
phone / fax number: +49-221-59709-472
representat.: Chris Spickett
tel (representat.): 0044 (0) 7894443907

pos	quantity	article	price
1	1	weinor Cassita II	2.813,00
		Product use : private house	
		width (cm) : 480 cm	
		Projection [cm] : 250 cm	3.009,00
		Base colour : RAL 9016 white	
		no. of arms : 2 Piece	
		insulation [mm] : 0 mm	
		bracket type 1 : wall fixing	
		number of brackets 1 : 2 Piece	62,00
		FB1 Force 1 per fixing point : 2181 N	
		Torque per folding arm [Nm] : 393 Nm	
		bracket position left [mm] : 90 mm	
		bracket position right [mm] : 90 mm	
		arm position left : 58 mm	
		arm position right : 58 mm	
		type of control : crank	-258,00
		Side of control (seen from the front) : left	
		length of handle : 160 cm	
		real-design : WE3-879	
		colour of thread Saba :	
		Cardboard packaging : edges reinforcement	
		weight : 61 kg	

weinor Ltd
73 Cornhill
GB-EC3V 3QQ London
weinor.com

Managing Director:
Tim Földner
General partner:
Weinor Beteiligungs-GmbH
Köln

VAT no.: 335 2381 16
Company no.: 12193066
UTR no.: 33431 24084
EORI no.: GB335238116000

Domestic transfers:
Commerzbank London
Sort Code: 406201
Account Number: 307 537 10

International transfers:
Commerzbank London
IBAN: GB51 COBA 4062 0130 7537 10
Swift: MIDLGB22 a/c COBAGB2X

Configuration details

weinor Ltd 73 Cornhill EC3V 3QQ London

customer:	165708	reference:	Lambert	Page 2 of 3
pos	quantity	article		price
			value of goods	discount amount / %
			2.813,00	1.125,20 / 40,00
				net
				1.687,80

£4,220

weinor Ltd
73 Cornhill
GB-EC3V 3QQ London
weinor.com

Managing Director:
Tim Földner
General partner:
Weinor Beteiligungs-GmbH
Köln

VAT no.: 335 2381 16
Company no.: 12193066
UTR no.: 33431 24084
EORI no.: GB335238116000

Domestic transfers:
Commerzbank London
Sort Code: 406201
Account Number: 307 537 10

International transfers:
Commerzbank London
IBAN: GB51 COBA 4062 0130 7537 10
Swift: MIDLGB22 a/c COBAGB2X

Configuration details

weinor Ltd 73 Cornhill EC3V 3QQ London

customer: 165708 reference: Lambert

Page 3 of 3

pos quantity article price

2 1 weinor Cassita II 3.496,00

Product use : private house
 width (cm) : 480 cm
 Projection [cm] : 250 cm 3.009,00
 base colour : RAL 9016 white
 no. of arms : 2 Piece
 insulation [mm] : 0 mm
 bracket type 1 : wall fixing
 number of brackets 1 : 2 Piece 62,00
 FB1 Force 1 per fixing point : 2181 N
 Torque per folding arm [Nm] : 393 Nm
 bracket position left [mm] : 90 mm
 bracket position right [mm] : 90 mm
 arm position left : 58 mm
 arm position right : 58 mm
 type of control : Remote-controlled motor IO Homecontrol 143,00
 Side of control (seen from the front) : left

 Hirschmann plug? : without Hirschmann plug
 control : hand transmitter Situo 1 io II by weinor 75,00
 type of motor : Motor Sfy Sunea50 io 40/17 ohne Zubehör
 Somfy radio wind sensor io : with Somfy Eolis 3D WireFree io; white housing 207,00
 al-design : WE3-879
 colour of thread Saba :
 Cardboard packaging : edges reinforcement
 weight : 61 kg

£425

143,00
75,00
207,00

	value of goods	discount amount / %	net
	3.496,00	1.398,40 / 40,00	2.097,60

£5,244

value of goods GBP	discount amount	net GBP	VAT (0 %)	Total GBP
6.309,00	2.523,60	3.785,40	0,00	3.785,40

£4.607 with 50% off



CP INTERIORS

QUOTE

To:
Mrs. Hilary Lambert
Hillside Cottage
La Cheve Rue
St Mary
JE3 3EN

Job Number: SO17534 Q1

Quote Date: Tuesday 03 Feb 2026

Customer Reference:

Deposit required: £ 2,149.35

Your Contact: Tamara

Our Price Promise to you

We are so confident our pricing is competitive, that we will beat any written quotation for equivalent product by 5%

To supply and fit unless otherwise stated.

Location	Product	Description	Qty	Price
		Option 1: Manual operation		
House	Awning / Canopy	Weinor Cassita, manually operated, with full <i>cassette</i> (no valance), powder coated in 9016 white, in Weinor fabric A3-879 Sahara. Left-hand side crank. Size 4.8m wide x 2.5m projection.	1	£ 4,094.00

Terms: 50% deposit due with order, 50% on completion

Subtotal £ 4,094.00

**** To go ahead with this quote please make deposit payment. To pay by card call us on 01534 768141 ****

GST £ 204.70

Direct Deposit - Sort Code: 60-12-03 Account: 66577772

Total £ 4,298.70

If you have any queries please call us on 01534 768141 or visit our showroom Rue des Pres Trading Estate St Saviour

Paid amount £ 0.00

Total amount £ 4,298.70

** For Our Terms & Conditions of Sale please go to www.cpinteriors.je **

Please note: This quotation is only valid for acceptance for 7 days. Our estimate does not include any electrical work or additional carpentry work to install the above unless otherwise specified. Please note there is a handling charge on customer own fabric of £7.50 per metre. Due to high costs of labour, pre-arranged missed fitting appointments will be charged on a time-wasted basis. Settlement is due on completion of works and an administration charge of £25 will be added per month if unpaid within 30 days. We reserve the right to charge for design, advice and liaison work carried out should an order not be placed. Goods remain the property of CP Interiors until full settlement is received. Should payment not be received we reserve the right to attend premises during working hours to remove goods and not be required to make good. Our full terms and conditions apply and are available on request.



CP INTERIORS

QUOTE

To:
Mrs.Hilary Lambert
Hillside Cottage
La Cheve Rue
St Mary
JE3 3EN

Job Number: SO17534 Q2

Customer Reference:

Quote Date: Tuesday 03 Feb 2026

Deposit required: £ 2,753.10

Your Contact: Tamara

Our Price Promise to you

We are so confident our pricing is competitive, that we will beat any written quotation for equivalent product by 5%

To supply and fit unless otherwise stated.

Location	Product	Description	Qty	Price
		Option 2: Motor operation		
House	Awning / Canopy	Weinor Cassita II electrically operated awning with full cassette (no valance) and vibration sensor, powder coated in 9016 white, in Weinor fabric A3-879 Sahara. Motor side TBC. Size 4.8m wide x 2.5m projection. Includes 1x remote control.	1	£ 5,244.00

Electrical works not included

Terms: 50% deposit due with order, 50% on completion

**** To go ahead with this quote please make deposit payment. To pay by card call us on 01534 768141 ****

Direct Deposit - Sort Code: 60-12-03 Account: 66577772

If you have any queries please call us on 01534 768141 or visit our showroom Rue des Pres Trading Estate St Saviour

**** For Our Terms & Conditions of Sale please go to www.cpinteriors.je ****

Subtotal	£ 5,244.00
GST	£ 262.20
Total	£ 5,506.20
Paid amount	£ 0.00
Total amount	£ 5,506.20

Please note: This quotation is only valid for acceptance for 7 days. Our estimate does not include any electrical work or additional carpentry work to install the above unless otherwise specified. Please note there is a handling charge on customer own fabric of £7.50 per metre. Due to high costs of labour, pre-arranged missed fitting appointments will be charged on a time-wasted basis. Settlement is due on completion of works and an administration charge of £25 will be added per month if unpaid within 30 days. We reserve the right to charge for design, advice and liaison work carried out should an order not be placed. Goods remain the property of CP Interiors until full settlement is received. Should payment not be received we reserve the right to attend premises during working hours to remove goods and not be required to make good. Our full terms and conditions apply and are available on request.

