



CP INTERIORS

QUOTE

Followed up 03/12/25

To:
Andrew & Penny Barette
The Dower House
La Grande Route De Mont A L'Abbe
St Helier
JE2 3HW

Job Number: SO17254 Q1
Customer Reference:
Roller Blinds

Quote Date: Thursday 23 Oct 2025
Deposit required: £ 1,625.93
Your Contact: Tamara

Our Price Promise to you
We are so confident our pricing is competitive, that we will beat any written quotation for equivalent product by 5%

To supply and fit unless otherwise stated.

Location	Product	Description	Qty	Price
New Kitchen	Roller blind	Roller blind, in Perspective Aluview 3% silver backed mesh fabric in Beige and white hembar. Operated with a Somfy Sonesse 40 RTS hardwired motor.	3	£ 3,007.00

£2607

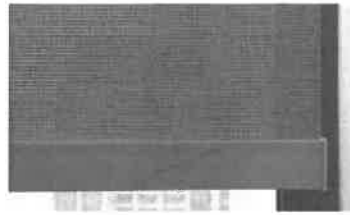


Photo only for hembar reference

Rollers to be fitted inside a Blindspace boxing.

Accessories	Situo 5 remote	1	£ 90.00
--------------------	----------------	---	---------

**Electrical works not included **

Terms: 50% deposit due with order, 50% on completion

**** To go ahead with this quote please make deposit payment. To pay by card call us on 01534 768141 ****

Direct Deposit - Sort Code: 60-12-03 Account: 66577772

If you have any queries please call us on 01534 768141 or visit our showroom Rue des Pres Trading Estate St Saviour

** For Our Terms & Conditions of Sale please go to www.cpinteriors.je **

Subtotal	£ 3,097.00
GST	£ 154.85
Total	£ 3,251.85
Paid amount	£ 0.00
Total amount	£ 3,251.85

£2831.85

Please note: This quotation is only valid for acceptance for 7 days. Our estimate does not include any electrical work or additional carpentry work to install the above unless otherwise specified. Please note there is a handling charge on customer own fabric of £7.50 per metre. Due to high costs of labour, pre-arranged missed fitting appointments will be charged on a time-wasted basis. Settlement is due on completion of works and an administration charge of £25 will be added per month if unpaid within 30 days. We reserve the right to charge for design, advice and liaison work carried out should an order not be placed. Goods remain the property of CP Interiors until full settlement is received. Should payment not be received we reserve the right to attend premises during working hours to remove goods and not be required to make good. Our full terms and conditions apply and are available on request.



ORDER CONFIRMATION

UM 38513-65025



Customer: CP Interiors	Order Date: 17/12/2025
Contact Name: Tamara Lopez-Dominguez	Despatch Date: 14/11/2026

Quote no.: 38513-65025
Customer PO no.: Order: SO17254 Barette

Total Quantity	Total Price
4	£1,263.05

System	Blind No.	Qty	Width	Drop	Operation	Fabric Joins	Tube Dia.	Hem Bar	Hem Bar Colour	Hardware Colour	Fabric Type	Fabric Colour	Cassette/Fascia Type	Brackets	Handling	Total Control Len	Cable Exit	Side Channel	Side Channel LH	Side Channel RH	Bottom Angle	Cust. Ref	Notes	Unit RRP	Unit Price	Total
olve	1	1	2325	2150	Radio - RTS - Somfy Sonesse 40 6/20	0	52	Luxury 35	White	White	Perspective Aluview 3% - 2.5m	Beige		Top Blindspace S100 bracket	Left			No Channels			No	1	BLINDS PACE S100X1 00 BRACK ETS	£401.59	£401.59	£401.59
olve	2	1	2255	2150	Radio - RTS - Somfy Sonesse 40 6/20	0	52	Luxury 35	White	White	Perspective Aluview 3% - 2.5m	Beige		Top Blindspace S100 bracket	Left			No Channels			No	2	BLINDS PACE S100X1 00 BRACK ETS	£399.55	£399.55	£399.55
olve	3	1	2325	2150	Radio - RTS - Somfy Sonesse 40 6/20	0	52	Luxury 35	White	White	Perspective Aluview 3% - 2.5m	Beige		Top Blindspace S100 bracket	Left			No Channels			No	3	BLINDS PACE S100X1 00 BRACK ETS	£401.59	£401.59	£401.59

Special Notes

Your blinds are costed above, please see the last page for additional items

Delivery Address

CP Interiors
28
Rue des Pres Trading Estate
St Saviour
Jersey
JE2 7DN
01534 768141
tamara@cpinteriors.je

Spectrum Supply Via Umbra Shading, Queensway, Swansea West Business Park, Swansea, SA5 4DH
Tel: 0845 677 0020 Fax: 0845 677 0077 E-mail: sales@umbrashading.co.uk
Company Registration No. 7317206

Please note that any changes to this order after you have received this order confirmation may incur a 12% admin charge, plus any rework costs if applicable
The above pricing excludes VAT
Bank Details for BACS Payments - Account Number: 01874691 - Sort Code: 12-20-26

ORDER CONFIRMATION

UM 38513-65025



Customer: CP Interiors
Contact Name: Tamara Lopez-Dominguez
Order Date: 17/12/2025
Despatch Date: 14/1/2026

Customer PO no.: Order: SO17254 Bareite

Total Quantity 4
Total Price £1,263.05

Part No.	Details	Length	Unit Price	Quantity	Total Price
1870420	Situo 5 RTS Pure II Multichannel Radio Control Handset		131.48	1	£12.07
	Standard Carriage		18.25	1	£18.25

Special Notes

Delivery Address
CP Interiors
28
Rue des Pres Trading Estate
St Saviour
Jersey
JE2 7QN
01534 768141

Spectrum Supply t/a Umbra, 31 Ystrad Road, Swansea West Business Park, Swansea, SA5 4BT
Tel: 01792 562015 E-mail: sales@umbraheading.co.uk
Company Registration No. 7317206

Please note that any changes to this order after you have received this order confirmation may incur a £240 admin charge, plus
The above pricing excludes VAT
Bank Details for BACS Payments - Account Number: 01874691 - Sort Code: 12-20-26

Quote

Q38513-64268



Customer: CP Interiors
Contact Name: Tamara Lopez-Dominguez

Quote Date: 22/10/2025

Customer Ref.: SO17254 Barette - v2

System	Ref. No.	Finish	Finish Width	Finish d/ Drop	Operation	Fabric Joins	Tube Dia.	Hem Bar	Hem Colour	Hardware Colour	Fabric Type		Colour	Type	Shape	Channel/Braç Cat. Type	Bottom Angle	Cust. Ref	Notes	Unit RRP	Unit Price	Qty	Total	
											Perspective Aluview 3% - 2.5m	Perspective Aluview 3% - 2.5m												
volve	1	2325	2150		Radio - RTS - Somfy Sonesse 40 6/20	0	52	Luxury 35	White	White	Perspective Aluview 3% - 2.5m	Beige				No Channels	No	1	£912.71	£401.59	1	£401.59		
volve	2	2255	2150		Radio - RTS - Somfy Sonesse 40 6/20	0	52	Luxury 35	White	White	Perspective Aluview 3% - 2.5m	Beige				No Channels	No	2	£908.06	£399.55	1	£399.55		
volve	3	2325	2150		Radio - RTS - Somfy Sonesse 40 6/20	0	52	Luxury 35	White	White	Perspective Aluview 3% - 2.5m	Beige				No Channels	No	3	£912.71	£401.59	1	£401.59		
																			Blinds total		3	£1,202.73		

Special Notes

- Blind size
- Standard roll
- LH motors
- Top fix, inside Blindspace boxing (100x100) already fitted

*? Please supply 1 x 5 channel remote.

Delivery Address

Spectrum Supply via Umbra, 31 Ystrad Road, Swansea West Business Park, Swansea, SA5 4BT
 Tel: 01792 562015 E-mail: sales@umbrashading.co.uk

The above sizes are blind sizes which will be used for manufacture
 The above pricing excludes VAT

Please note that the above pricing is based on this quotation being ordered in full on a single purchase order. Should you require these blinds in phases please discuss this with us as it may affect the pricing.

Quote

Q38513-64268



Customer: CP Interiors
Contact Name: Tamara Lopez-Dominguez

Order Date: 22/10/2025

Customer Ref.: SO17254 Barette - v2

Total Quantity: 3
Total Price: £1,220.98

Part No.	Details	Length	Unit RRP	Unit Price	Quantity	Total Price
	Standard Carriage		£18.25	£18.25	1	£18.25
Parts total:						£18.25
Blinds total:						£1,202.73
Grand total:						£1,220.98

Special Notes

Delivery Address

Spectrum Supply via Umbra, 31 Ystrad Road, Swansea West Business Park, Swansea, SA5 4BT
Tel: 01792 562015 E-mail: sales@umbreshading.co.uk

The above sizes are blind sizes which will be used for manufacture
The above pricing excludes VAT

Please note that the above pricing is based on this quotation being ordered in full on a single purchase order. Should you require these blinds in phases please discuss this with us as it may affect the pricing.

Customer: CP Interiors
 Contact Name: Tamara Lopez-Dominguez

Quote Date: 22/10/2025

Customer Ref.: SO17254 Barette - v2

Item No.	Ref.	Finishes	Operation	Fabric	Tube	Hem	Hem Bar	Hardware	Fabric	Colour	Type	Shape	Channel/Brac	Bottom	Cust.	Notes	Unit RRP	Unit Price	Qty	Total
		Width		Joins	Dia.	Bar	Colour	Colour	Type				ket Type	Angle	Ref					
1	2325	2150	Radio - RTS - Somfy Sonnesse 40 6/20	0	52	Luxur y 35	White	White	Perspective Aluview 3% - 2.5m	White	Beige		No Channels	No	1		£912.71	£401.59	1	£401.59
2	225	2150	Radio - RTS - Somfy Sonnesse 40 6/20	0	52	Luxur y 35	White	White	Perspective Aluview 3% - 2.5m	White	Beige		No Channels	No	2		£908.06	£399.55	1	£399.55
3	2325	2150	Radio - RTS - Somfy Sonnesse 40 6/20	0	52	Luxur y 35	White	White	Perspective Aluview 3% - 2.5m	White	Beige		No Channels	No	3		£912.71	£401.59	1	£401.59
Blinds total																	3			£1,202.73

Special Notes

- Standard roll
- LH motors
- Top-fix (inside Blindspace 100x100 boxing)
- + • Blind size

check if 3/30 or 6/20 will Adrian. *Please supply 1 x 5 channel remote.

When you discussed the blinds

Spectrum Supply t/a Umbra, 31 Ystrad Road, Swansea Wcs1 Business Park, Swansea, SA5 4BT
 Tel: 01792 562015 E-mail: sales@umbratrading.co.uk

The above sizes are blind sizes which will be used for manufacture
 The above pricing excludes VAT

Please note that the above pricing is based on this quotation being ordered in full on a single purchase order. Should you require these blinds in phases please discuss this with us as it may affect the pricing.

Completed by Tamara Lopez-Dominguez 11/11/25
 As checked

Quote

Q38513-64268



Customer: CP Interiors

Order Date: 22/10/2025

Customer Ref.: SO17254 Barette - v2

Total Quantity **Total Price**

Contact Name: Tamara Lopez-Dominguez

3

£1,220.98

Part No.	Details	Length	Unit RRP	Unit Price	Quantity	Total Price
	Standard Carriage		£18.25	£18.25	1	£18.25
Parts total:						£18.25
Blinds total:						£1,202.73
Grand total:						£1,220.98

Special Notes

Delivery Address

Spectrum Supply /via Umbra, 31 Ystrad Road, Swansea West Business Park, Swansea, SA5 4BT
Tel: 01792 562015 E-mail: sales@umbra shading.co.uk

The above sizes are blind sizes which will be used for manufacture
The above pricing excludes VAT

Please note that the above pricing is based on this quotation being ordered in full on a single purchase order. Should you require these blinds in phases please discuss this with us as it may affect the pricing.



Quote

Q38513-64268



Customer: CP Interiors **Quote Date:** 22/10/2025

Customer Ref.: SO17254 Barette - v2

Contact Name: Tamara Lopez-Dominguez

System	Ref. No.	Finish of Width	Finish of Drop	Operation	Fabric Joins	Tube Dia.	Hem Bar	Hem Bar Colour	Hardware Colour	Fabric Type	Colour	Type	Shape	Channel/Bracket Type	Bottom Angle	Cust. Ref	Notes	Unit RRP	Unit Price	Qty	Total
Evolve	1	2325	2150	Radio - RTS - Somfy Sonesse 40 6/20	0	52	Luxur y 35	White	White	Perspective Aluview 3% - 2.5m	Beige			No Channels	No	1		£912.71	£401.59	1	£401.59
Evolve	2	2255	2150	Radio - RTS - Somfy Sonesse 40 6/20	0	52	Luxur y 35	White	White	Perspective Aluview 3% - 2.5m	Beige			No Channels	No	2		£908.06	£389.55	1	£389.55
Evolve	3	2325	2150	Radio - RTS - Somfy Sonesse 40 6/20	0	52	Luxur y 35	White	White	Perspective Aluview 3% - 2.5m	Beige			No Channels	No	3		£912.71	£401.59	1	£401.59
Blinds total																			3	£1,202.73	

1)
2)
3)

Special Notes

Delivery Address

Spectrum Supply Ltd Umbra, 31 Ysrad Road, Swansea West Business Park, Swansea, SA5 4BT
Tel: 01792 562015 E-mail: sales@umbraashading.co.uk

The above sizes are blind sizes which will be used for manufacture
The above pricing excludes VAT

Please note that the above pricing is based on this quotation being ordered in full on a single purchase order. Should you require these blinds in phases please discuss this with us as it may affect the pricing.

1) 11004
2) 11009
3) 11004

Quote

Q38513-64268



Customer: CP Interiors

Order Date: 22/10/2025

Customer Ref.: SO17254 Barette - v2

Total Quantity **Total Price**

Contact Name: Tamara Lopez-Dominguez

3 £1,220.98

Part No.	Details	Length	Unit RRP	Unit Price	Quantity	Total Price
	Standard Carriage		£18.25	£18.25	1	£18.25
Parts total:						£18.25
Blinds total:						£1,202.73
Grand total:						£1,220.98

Special Notes

Delivery Address

Spectrum Supply t/a Umbra, 31 Ystrad Road, Swansea West Business Park, Swansea, SA5 4BT
Tel: 01792 562015 E-mail: sales@umbrashading.co.uk

The above sizes are blind sizes which will be used for manufacture
The above pricing excludes VAT

Please note that the above pricing is based on this quotation being ordered in full on a single purchase order. Should you require these blinds in phases please discuss this with us as it may affect the pricing.

Tamara Lopez-Dominguez

From: James Cassidy <James@cassidysunblinds.co.uk>
Sent: 13 October 2025 09:14
To: Tamara Lopez-Dominguez
Subject: RE: SO17254 Barette

Follow Up Flag: Follow up
Flag Status: Flagged

Good Morning Tamara

Please find prices below as requested

Type – Roller
Fabric – Perspective Aluview
Colour – Beige
Power – 230v Mains
Control – RTS

2No 2325 x 2150 @ £450.00 each
1No 2255 x 2150 @ £450.00

Delivery @ £50.00

All prices are PLUS VAT
Delivery 10 – 14 days (subject to stock)

Kind regards

James Cassidy
Managing Director
Cassidy's Sunblinds
Unit B Layerthorpe Road
Henry Boot Way
Priory Park
Hull
HU4 7DF
Direct - 01482 330601
Tel - 01482 330600
Fax - 01482 330606
Mobile - 07951760934
Email - james@cassidysunblinds.co.uk



Cassidy's Sunblinds

motorised blind specialist

Confidentiality: This e-mail and its attachments are intended for the above named only and may be confidential. If they have come to you in error you must take no action based on them, nor must you copy or show them to anyone; please reply to this e-mail and highlight the error.

Security Warning: Please note that this e-mail has been created in the knowledge that Internet e-mail is not a 100% secure communications medium. We advise that you understand and observe this lack of security when e-mailing us.

Viruses: Although we have taken steps to ensure that this e-mail and attachments are free from any virus, we advise that in keeping with good computing practice the recipient should ensure they are actually virus free and maintain up to date and adequate virus-checking software. We accept no liability for any damage due to virus transmission or infection, however caused.

From: Tamara Lopez-Dominguez <Tamara@cpinteriors.je>
Sent: 10 October 2025 15:01
To: James Cassidy <James@cassidysunblinds.co.uk>
Subject: SO17254 Barette

Hi James,

I hope you are well.

Can you provide a quote for the following, please?

- Roller blind in Perspective Aluview Beige, 2325 x 2150mm (blind size), with Somfy RTS hardwired motor (LHM). Standard roll.
- Roller blind in Perspective Aluview Beige, 2255 x 2150mm (blind size), with Somfy RTS hardwired motor (LHM). Standard roll.
- Roller blind in Perspective Aluview Beige, 2325 x 2150mm (blind size), with Somfy RTS hardwired motor (LHM). Standard roll.

They are all to be fitted inside Blindspace boxing. Many thanks.

Kind Regards

Tamara
Lopez-Dominguez

Interior Design Advisor
tamara@cpinteriors.je

Unit 6 and 7 Five Arches Business Est
off Maidstone Road
Sidcup
Kent
DA14 5AE
Tel: 020 8269 6400 Fax: 020 8269 6401

Vat No: 324 0532 02
Cust Order No: SO16711 JARDIM
Order Date: 30/04/2025
Order No: 5185181
Cust Ref:
Account Ref: CPS007
Despatch Method: DHL Economy

Order To:
C.P Interiors 2
Rue Des Pres Trading Estate
St Saviour
Jersey
Channel Islands
JE2 7QN

Deliver To:
C.P Interiors 2
Rue Des Pres Trading Estate
St Saviour
Jersey
Channel Islands
JE2 7QN

Type	Colour	Width	Drop	Quantity	Unit Price	Disc %	Net
1. Roller - Sonesse 40 RTS/Zigbee Perspective Aluview FR 3 Grey 2.5m R/F (L)2400			2600	3	437.73	51.92	1042.38
No Headbox Required, No Brackets Required, Sonesse 40 Motor 3/30 RTS, No Handset Required, No Hub Required, 55mm Roller Tube, Standard P.V.C. Bottom Rail - 5m - White, No Scallop, No Braid Required, No Pole, No Finial, No Eyelets Required, Standard Roll, Blind is safe by design and requires no additional devices or warning labels						137.00	
Measurement: Blind Size		Spec. ins:					
Location: New Kitchen		Fitting ins:					

£869 each

£347.49

Net Total: 1042.38
VAT: 0.00
Total: 1042.38

Quote

Q38513-64264



Customer: CP Interiors **Quote Date:** 22/10/2025 **Customer Ref.:** SO17254 Barette
Contact Name: Tamara Lopez-Dominguez

System	Ref. No.	Finish Width	Finish d Drop	Operation	Fabric Joins	Tube Dia.	Hem Bar	Hem Bar Colour	Hardware Colour	Fabric Type	Fabric	Colour	Type	Shape	Channel/Brac let Type	Bottom Angle	Cust. Ref	Notes	Unit RRP	Unit Price	Qty	Total
Evolve	1	2325	2150	Radio - RTS - Somfy Sonesse 40 6/20	0	52	Ellips e 43	Fabric	White	Perspective Aluview 3% - 2.5m		Beige			No Channels	No	1		£886.39	£390.01	1	£390.01
Evolve	2	2255	2150	Radio - RTS - Somfy Sonesse 40 6/20	0	52	Ellips e 43	Fabric	White	Perspective Aluview 3% - 2.5m		Beige			No Channels	No	2		£882.56	£388.33	1	£388.33
Evolve	3	2325	2150	Radio - RTS - Somfy Sonesse 40 6/20	0	52	Ellips e 43	Fabric	White	Perspective Aluview 3% - 2.5m		Beige			No Channels	No	3		£886.39	£390.01	1	£390.01
																			Blinds total		3	£1,168.35

Special Notes

Delivery Address

Spectrum Supply via Umbra, 31 Ystrad Road, Swansea West Business Park, Swansea, SA5 4BT
 Tel: 01792 562015 E-mail: sales@umbra shading.co.uk

The above sizes are blind sizes which will be used for manufacture
 The above pricing excludes VAT

Please note that the above pricing is based on this quotation being ordered in full on a single purchase order. Should you require these blinds in phases please discuss this with us as it may affect the pricing.

Quote

Q38513-64264



Customer: CP Interiors
Contact Name: Tamara Lopez-Dominguez

Order Date: 22/10/2025

Customer Ref.: SO17254 Barette
Total Quantity: 3
Total Price: £1,186.60

Part No.	Details	Length	Unit RRP	Unit Price	Quantity	Total Price
	Standard Carriage		£18.25	£18.25	1	£18.25
Parts total:						£18.25
Blinds total:						£1,168.35
Grand total:						£1,186.60

Special Notes

Delivery Address

Spectrum Supply t/a Umbra, 31 Ystrad Road, Swansea West Business Park, Swansea, SA6 4BT
Tel: 01792 562015 E-mail: sales@umbrashading.co.uk

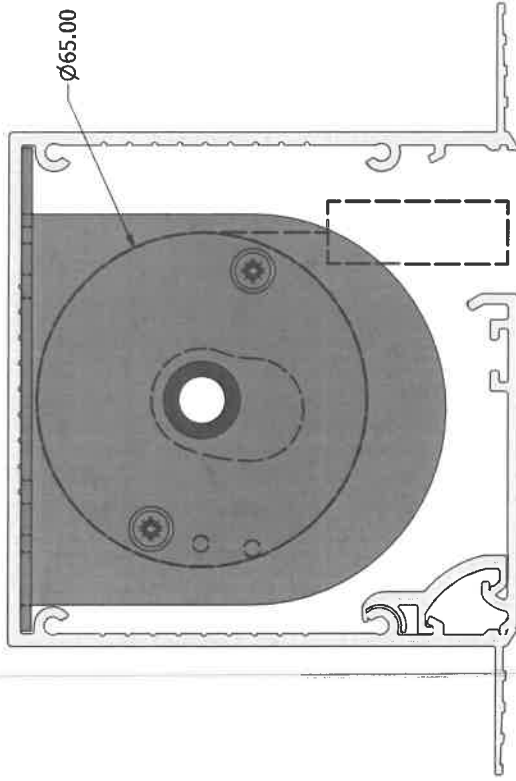
The above sizes are blind sizes which will be used for manufacture
The above pricing excludes VAT

Please note that the above pricing is based on this quotation being ordered in full on a single purchase order. Should you require these blinds in phases please discuss this with us as it may affect the pricing.

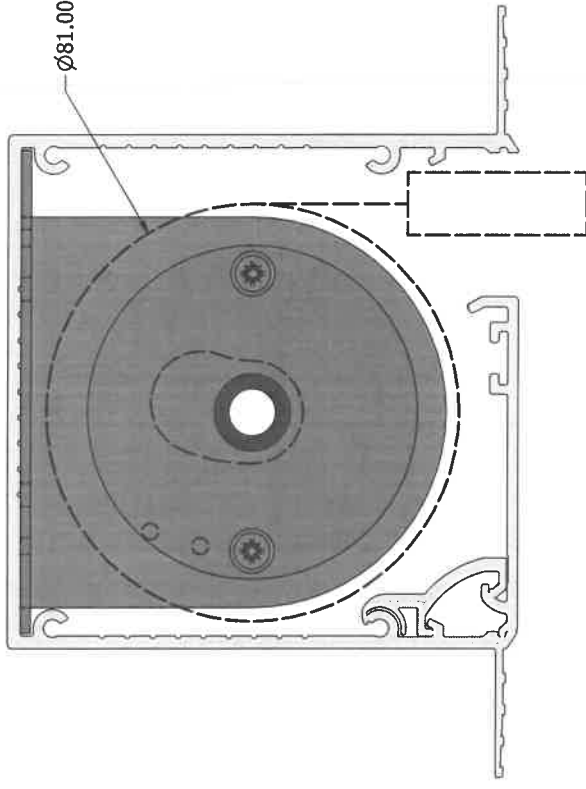
Umбра : 52mm tube in a 100x100 box, they can never guarantee full concealment of the hembar, hence why the drawing shows it sticking out slightly.
 However that is with a 81mm roll-up diameter.

With Barette's blinds, the diameter will be approx. 65mm, so hembar can go approx 12mm higher

Position 1 (44mm tube)
 Max. rollup dia.: 65mm



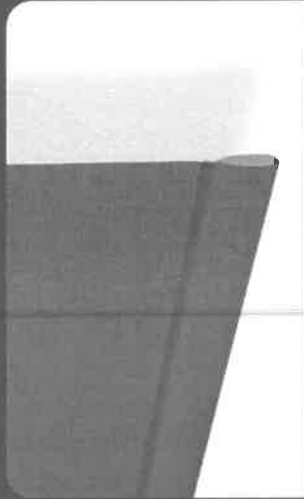
Position 2 (52mm tube)
 Max. rollup dia.: 81mm



MAXIMUM BLIND SIZES:	WIDTH: 5m	Evolve & Evolve Zero in Blindspace S100x100 (Luxury 35 hembar)
	DROP: 4.2m	
	AREA: 10m ²	
AUTHOR:	Marshall Hill	SYSTEM DETAILS:
DATE:	06/02/2025	
SCALE:		
1:1	SHEET SIZE: A3	UMBRA®
	SHEET 1 OF 1	
Umбра 31 Ystrad Road Swansea West Business Park Swansea SA5 4BT 01792 562015 umbra@umbra.co.uk sales@umbra.co.uk		

Roller Blind Hembar Options

Hembar options for Evolve, Sirios and Solaris



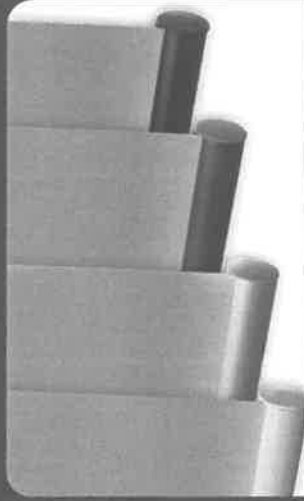
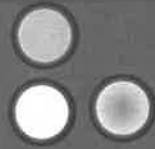
ELLIPSE 43

A fabric pocket hembar compatible with:

- Evolve
- Evolve Zero (<4m wide)
- Sirios
- Solaris

Profile Weight: 459g/m

Dimensions:
43mm high x 11mm deep



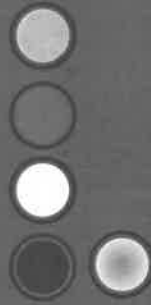
TYPE 1

A 20mm round aluminium hembar compatible with:

- Evolve
- Sirios
- Solaris

Profile Weight: 240g/m

Dimensions:
20mm high x 20mm deep



LUXURY 35

A premium rectangular hembar compatible with:

- Evolve
- Evolve Zero
- Sirios
- Solaris

Profile Weight: 202g/m

Dimensions:
35mm high x 12mm deep



CHAMPAGNE



BLACK



SILVER



ANTHRACITE



OYSTER



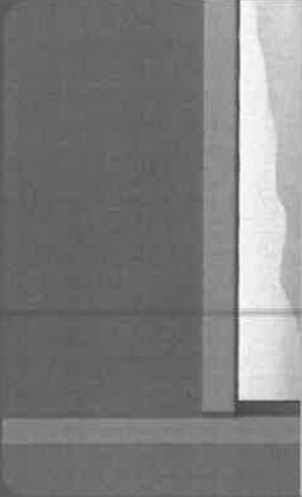
WHITE



CUSTOM RAL

Zippered Roller Blind Hembar Options

Hembar options for KuroLok and KuroLok RL



LUXURY 46

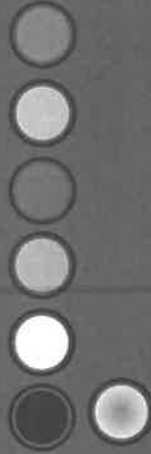

A modern, neat hembar compatible with:

KuroLok

Profile Weight: 628g/m

Dimensions:
46mm high x 12mm deep

Brush included

TYPE Z

The classic KuroLok Z hembar compatible with:

KuroLok

KuroLok RL

Profile Weight: 900g/m

Dimensions:
50mm high x 22mm deep

Brush included



CHAMPAGNE

BLACK

SILVER

ANTHRACITE

OYSTER

WHITE

CUSTOM RAL

01792 562015

sales@umbrashading.co.uk

umbrashading.co.uk

docs.umbrashading.co.uk

support.umbrashading.co.uk





CP INTERIORS

QUOTE

To:
 Angela Jardim
 Fishers Gate,
 La Route des laveurs
 St Ouen
 Jersey
 JE3 2FH

Job Number: SO16711 Q1
Customer Reference:
 The Dower House, Grande Route De
 Mont A L'abbe, St. Helier, JE2 3HW

Quote Date: Wednesday 30 Apr 2025
Deposit required: £ 1,415.93
Your Contact: Tamara

Our Price Promise to you
 We are so confident our pricing is competitive, that we will beat any written quotation for equivalent product by 5%

To supply and fit unless otherwise stated.

Location	Product	Description	Qty	Price
New Kitchen	Roller blind	Roller blind, in Perspective Aluview 3% silver backed mesh fabric in a colour of your choice. Operated with a Somfy Sonesse 40 RTS hardwired motor. Rollers to be fitted inside a Blindspace boxing.	3	£ 2,697.00
	Accessories	Situo 5 remote *Subject to final measurements* *Electrical works not included *	1	£ 90.00

Terms: 50% deposit due with order, 50% on completion

**** To go ahead with this quote please make deposit payment. To pay by card call us on 01534 768141 ****

Direct Deposit - Sort Code: 60-12-03 Account: 66577772

If you have any queries please call us on 01534 768141 or visit our showroom
 Rue des Pres Trading Estate St Saviour

**** For Our Terms & Conditions of Sale please go to www.cpinteriors.je ****

Subtotal	£ 2,697.00
GST	£ 134.85
Total	£ 2,831.85
Paid amount	£ 0.00
Total amount	£ 2,831.85

Please note: This quotation is only valid for acceptance for 7 days. Our estimate does not include any electrical work or additional carpentry work to install the above unless otherwise specified. Please note there is a handling charge on customer own fabric of £7.50 per metre. Due to high costs of labour, pre-arranged missed fitting appointments will be charged on a time-wasted basis. Settlement is due on completion of works and an administration charge of £25 will be added per month if unpaid within 30 days. We reserve the right to charge for design, advice and liaison work carried out should an order not be placed. Goods remain the property of CP Interiors until full settlement is received. Should payment not be received we reserve the right to attend premises during working hours to remove goods and not be required to make good. Our full terms and conditions apply and are available on request.

[Handwritten signature]

[Handwritten signature: Kelvin 0779775155]
[Handwritten signature: Kelvin 0779775155]
[Handwritten signature: Kelvin 0779775155]

[Handwritten mark]

