



# CP INTERIORS

## QUOTE

To:  
Peter Le Boutillier  
Old School House  
La Route De Vinchelez  
St Ouen  
JE3 2DA

Job Number: SO17288 Q2

Customer Reference:  
Glass Balustrade *OPTION 2*

Quote Date: Thursday 23 Oct 2025

Deposit required: £ 1,813.88

Your Contact: Tamara

DEPOSIT PAID  
24/10/25

Our Price Promise to you  
We are so confident our pricing is competitive, that we will beat any written quotation for equivalent product by 5%

To supply and fit unless otherwise stated.

Location	Product	Description	Qty	Price
		Option 2: Partial balustrade		
Balustrade	Parts	6x 1.1m high glass panels and 7x posts in brushed stainless steel.	1	£ 2,585.00
	Installation	To install glass balustrade including freight	1	£ 870.00
		*Subject to confirmation of solid concrete under tiles*		
		**Revised quote for partial balustrade as requested via email on 22/10/25**		

Terms: 50% deposit due with order, 50% on completion

**\*\* To go ahead with this quote please make deposit payment. To pay by card call us on 01534 768141 \*\***

Direct Deposit - Sort Code: 60-12-03 Account: 66577772

If you have any queries please call us on 01534 768141 or visit our showroom  
Rue des Pres Trading Estate St Saviour

\*\* For Our Terms & Conditions of Sale please go to [www.cpinteriors.je](http://www.cpinteriors.je) \*\*

Subtotal	£ 3,455.00
GST	£ 172.75
<b>Total</b>	<b>£ 3,627.75</b>
Paid amount	£ 0.00
<b>Total amount</b>	<b>£ 3,627.75</b>

Please note: This quotation is only valid for acceptance for 7 days. Our estimate does not include any electrical work or additional carpentry work to install the above unless otherwise specified. Please note there is a handling charge on customer own fabric of £7.50 per metre. Due to high costs of labour, pre-arranged missed fitting appointments will be charged on a time-wasted basis. Settlement is due on completion of works and an administration charge of £25 will be added per month if unpaid within 30 days. We reserve the right to charge for design, advice and liaison work carried out should an order not be placed. Goods remain the property of CP Interiors until full settlement is received. Should payment not be received we reserve the right to attend premises during working hours to remove goods and not be required to make good. Our full terms and conditions apply and are available on request.





# Order Acknowledgement

**Invoice To :-**

CP Interiors  
Unit 28 Rue des Pres Trading Estate  
St Saviour  
JE2 7QN

**Deliver To :-**

CP Interiors  
Profreight  
Portsmouth Venture Park  
Ackworth Road  
Hilsea  
PO3 5JT

**Order No**

630560

**Order Date**

04/11/2025

**Delivery**

On 19/11/2025

**Your Ref**

TAMARA/ADRIAN  
8017288

Special Instructions	Notes
PLEASE LABEL UP *** FOR ONWARD SHIPPING TO - CP Interiors, Unit 28 Rue des Pres Trading Estate St Saviour, Jersey JE2 7QN Contact Adrian - 01534768141	

Item	Description	Qty	Weight	Price	Per	Total
1	PRE- FAB end post - 48.3 mm - 1100mm - MIRROR G316 2/1.0	2.00	5.885 2 pcs	0.00	m	0.00
2	PRE- FAB mid post - 48.3 mm - 1100mm - MIRROR G316 4/1.0	4.00	11.770 4 pcs	0.00	m	0.00
3	PRE- FAB corner post (90D) - 48.3 mm - 1100mm - MIRROR G316 1/1.0	1.00	2.943 1 pcs	0.00	m	0.00
4	WPS.003.13.04.EP.316 - S/S Ribbed 'Convex' End Cap 48.3 x 2.6mm G316 Mirror 7/1.0	7.00	0.350 7 pcs	0.00	EA	0.00
5	WPS.XX.XX.Bond- Bondloc B638 High Strength Adhesive - 25ML 1/1.0	1.00	0.250 1 pcs	0.00	EA	0.00
6	WPS.204.XX.04.GC.MP - S/S Glass Clamps Grade 316 Mirror Polished 48.3mm 2/1.0	2.00	0.680 2 pcs	0.00	EA	0.00
7	10mm Glass Clamp Rubbers (2 Pack) 2/1.0	2.00	0.020 2 pcs	0.00	m	0.00
8	WPS.XX.XX.BOLTS - M8 Stainless Steel 'Socket Head' Bolts (20mm long) 2/1.0	2.00	0.012 2 pcs	0.00	EA	0.00

Kind Regards, WPS Handrails

Subject to our terms and conditions of sale. Further copies available on request.

GB 113 1253 30

Goods Total	
VAT	<del>£154.07</del>
Grand Total	<del>£168.00</del>

*5/11 Abbie paid w/o doc + saved after del. - PAID. LY-MARKET ROAD 6/11/25.*

**WPS Handrails**

Lockside  
Aldridge  
West Midlands  
WS9 8EQ

Get in touch:  
t: 01922 742 433  
e: sales@wpshandrails.com  
w: www.wpshandrails.com

# Order Acknowledgement

**Invoice To :-**

CP Interiors  
Unit 28 Rue des Pres Trading Estate  
St Saviour  
JE2 7QN

**Deliver To :-**

CP Interiors  
Profreight  
Portsmouth Venture Park  
Ackworth Road  
Hilsea  
PO3 5JT

**Order No**

630560

**Order Date**

04/11/2025

**Delivery**

On 19/11/2025

**Your Ref**

TAMARA/ADRIAN

Item	Description	Qty	Weight	Price	Per	Total
9	10mm Toughened Glass Polished / Rounded 6/1.0	6.00	0.000 6 pcs	0.00	m	0.00
10	Semi Frameless balustrade	1.00				973.33

Kind Regards, WPS Handrails

Subject to our terms and conditions of sale. Further copies available on request.

GB 113 1253 30

Total Weight

Goods Total

VAT

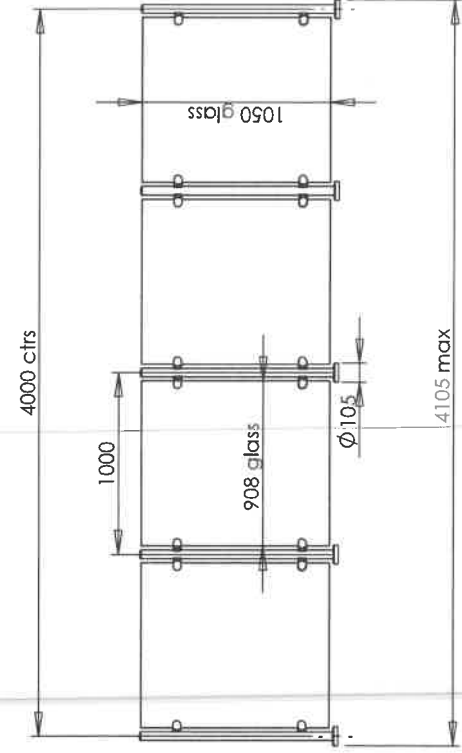
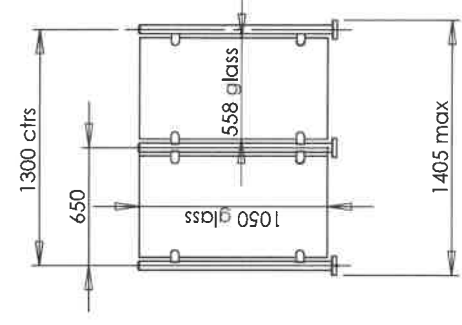
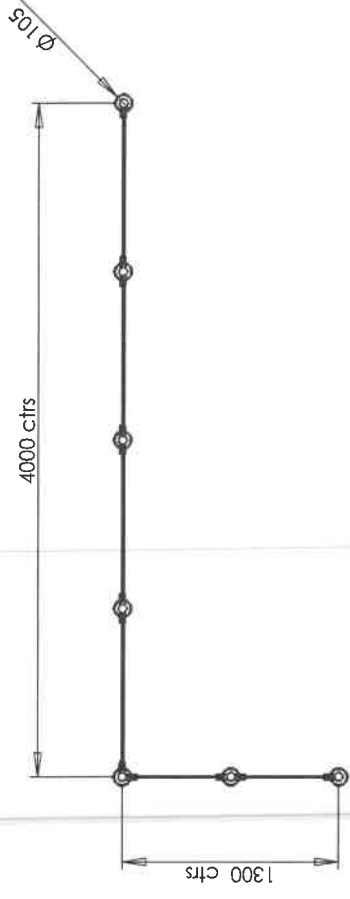
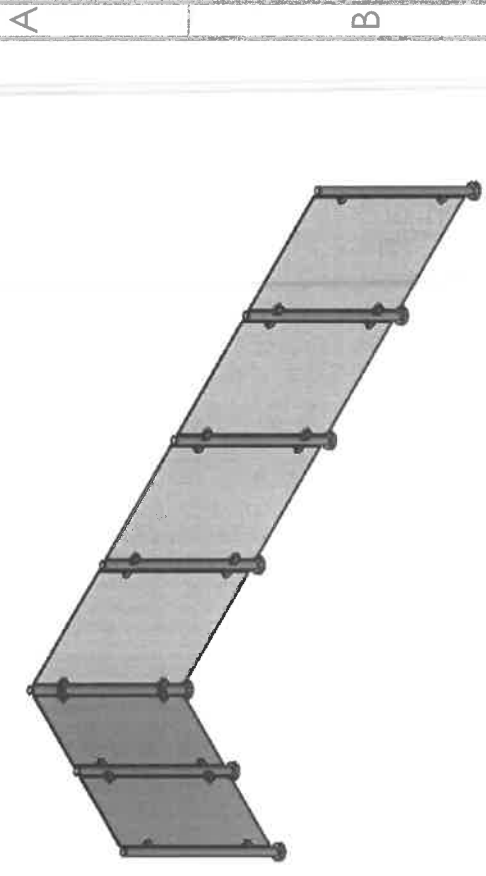
~~£194.67~~

Grand Total

~~£1,168.00~~

REVISED DRAWING

Non compliant with BS6180:2011



Overall Height: 1100mm  
 Glass Height: 1050mm  
 Glass Spec: 10mm Toughened Clear Glass  
 Posts: 48mm Dia Mirror Polished Stainless 316

Ref No.  
 OQ-207618  
 Date.  
 01/11/2025



adrian colston-weeks

6 5 4 3 2 1



## Order Acknowledgement

**Invoice To :-**

CP Interiors  
Unit 28 Rue des Pres Trading Estate  
St Saviour  
JE2 7QN

**Deliver To :-**

CP Interiors  
Profreight  
Portsmouth Venture Park  
Ackworth Road  
Hilsea  
PO3 5JT

**Order No**

630560

**Order Date**

04/11/2025

**Delivery**

On 19/11/2025

**Your Ref**

TAMARA/ADRIAN

**Please note important order information below**

**Balustrade Products:**

- All Deliveries are "Kerb Side" drop off - Glass and Hardware are delivered on separate vehicles unless specified otherwise
- Manual assistance is required with unloading of glass
- Glass deliveries in Scotland and Cornwall are delivered by courier and can take 3-5 days to arrive
- Laminated glass is required to comply with BS 6180:2011 (when not using a handrail)
- Floor Fixing bolts are not included on supply only orders
- Wire Balustrades can be deemed NON-Compliant with BS 6180:2011
- We recommend Mirror Polished stainless steel for coastal areas (not applicable to Frameless products)

**Composite Decking**

- All Deliveries are "Kerb Side" drop off - Manual assistance is required with unloading
- Decking must be installed as per our installation guides - Install guide is available online, otherwise please request an emailed copy.

Further information is available on our terms and conditions page - [www.wpshandrails.com/terms](http://www.wpshandrails.com/terms)

Kind Regards, WPS Handrails

Subject to our terms and conditions of sale. Further copies available on request.

GB 113 1253 30

Total Weight

21.910kg

Goods Total	£973.33
VAT	£194.67
<b>Grand Total</b>	<b>£1,168.00</b>



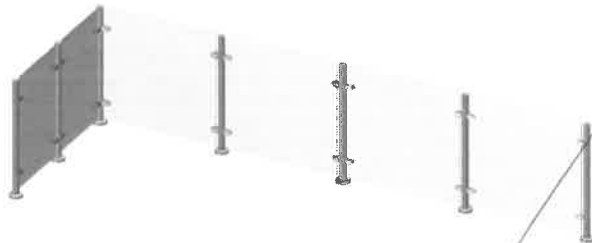
Adrian asked me to order this quote. He's checked it. 03/11/25



## Thank you for your enquiry

### We've quoted on (Supply only): **Semi-Frameless Glass Balustrade System with Clear Glass**

- Supplied in kit form, "ready to install" with an installation guide
- See page 2 for full specification.



### Your Quote at a glance

**Price** **£973.33**  
(Plus £194.67 VAT)  
Not including installation

**Ref** OQ-207618

**Date** 01/11/2025

**Please note** We have a professional fitting team.  
Please contact us for details

**Sent To** Based on delivery to JE2 7QN

**Lead Time** 7-10 working days

#### Enquiry Contact Information

**Name:** Adrian Colston-Weeks  
**Tel:** 01534768141  
**Email:** adrian@cpinteriors.je

### Ready to order or Discuss your project?

Call our sales team on  
**01922 742433** or email  
[sales@wpshandrails.com](mailto:sales@wpshandrails.com)

### See and handle our range of products

Visit our **fully fitted Midlands showroom**. Contact us to arrange an appointment.





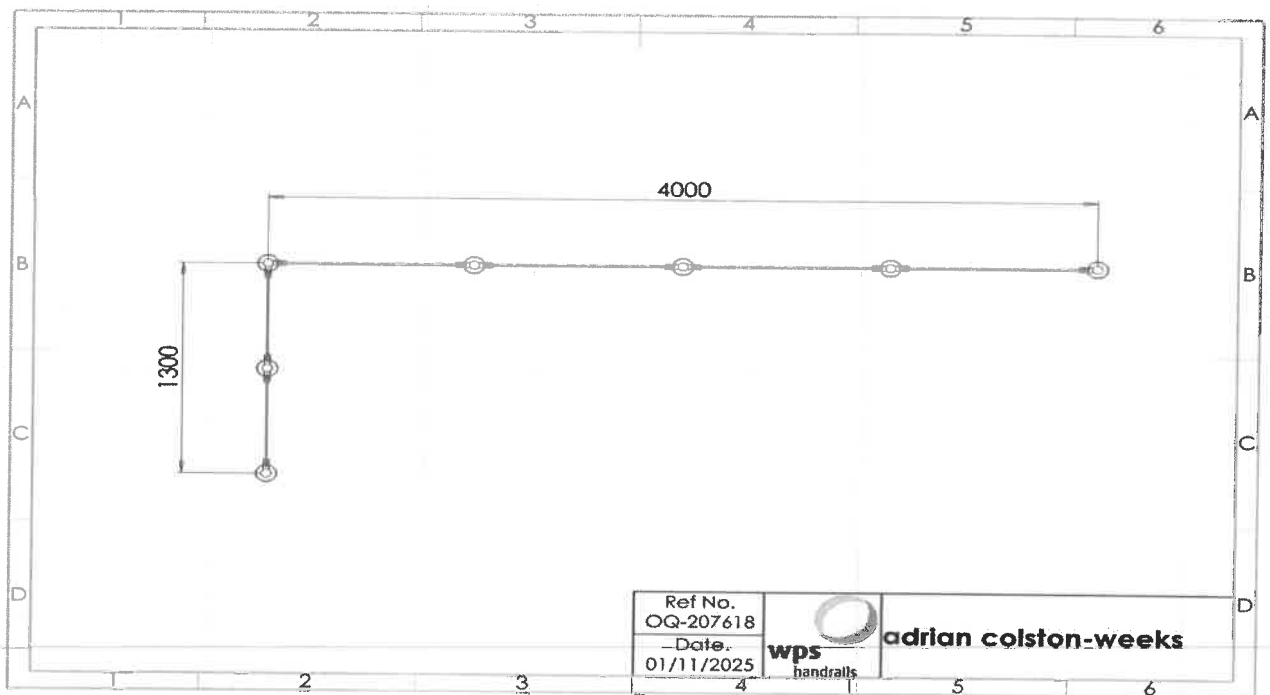
## Your Full Specification

### Semi-Frameless Glass Balustrade System with Clear Glass

- 1100mm Height
- 48mm diameter Grade 316 (Outdoor)
- ~~Satin Polished Stainless Steel~~ *Mirror Polished Stainless Steel*
- 10mm Toughened Clear Glass

Ready to discuss your project further or place your order?

Call **01922 742433** or email [sales@wps-handrails.com](mailto:sales@wps-handrails.com) to speak with one of our team



- Glass Balustrades are supplied "ready to assemble" by DIY or Tradesperson.
- Product tested to comply with 0.74kn/m UDL to comply with BS 6180:2011.
- Bespoke shapes, angles, or stairs? We can accommodate this, please contact our helpful design team.
- Detailed 3D drawings and installation guides supplied.
- Floor fixing bolts not included.
- Quote is valid for 30 days and for mainland UK delivery. This is not a VAT invoice.

Space redefined

# Composite Decking

Our INNODEK composite decking range is a technologically advanced and eco-friendly alternative to traditional wooden decking, giving flexibility to transform any outside space.

- Easy to install and offers a similar workability to wood
- Highly durable, long lifespan products
- Virtually maintenance free
- Up to 25 years warranty

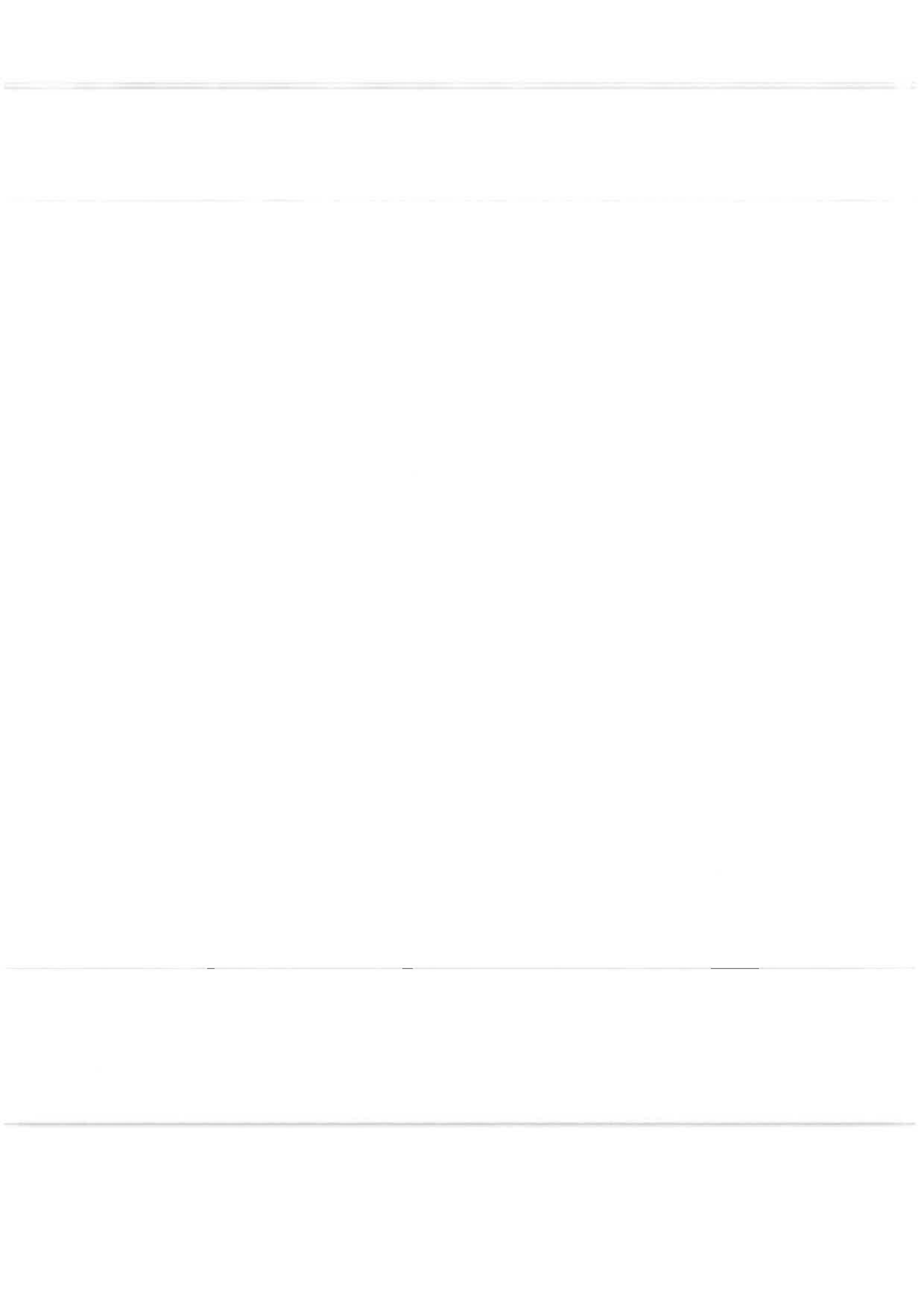
Call 01922 742433, email [sales@wpshandrails.com](mailto:sales@wpshandrails.com) or visit our showroom to find out more



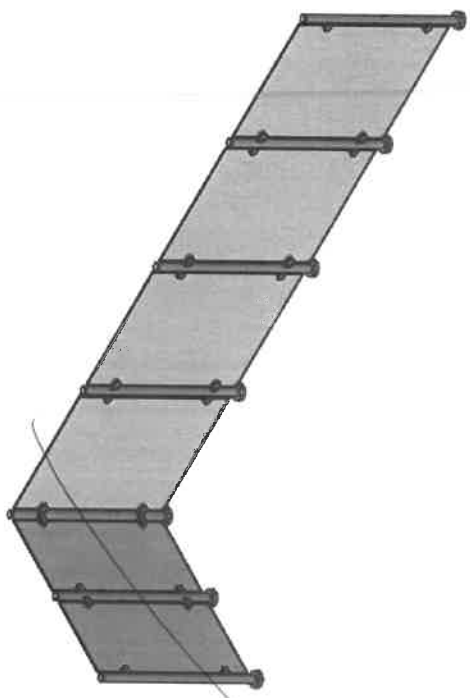
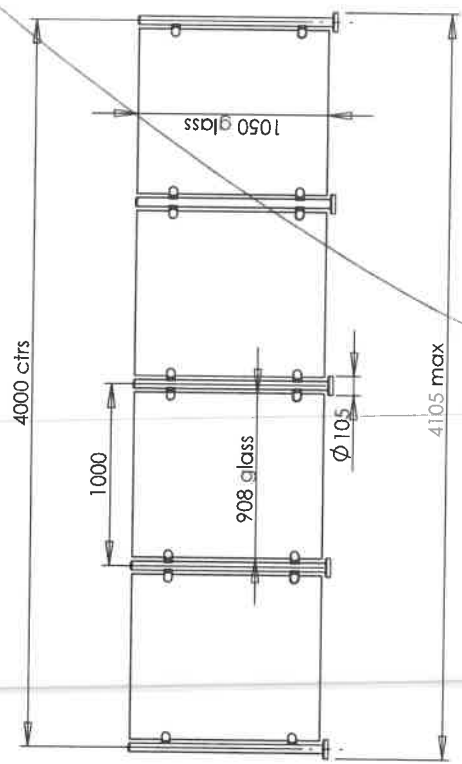
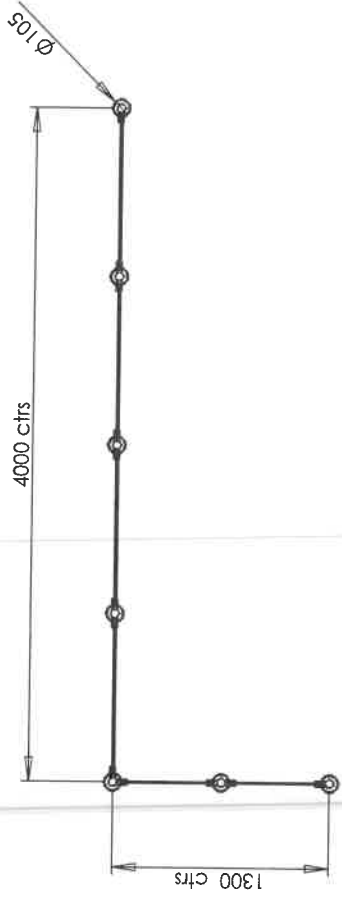
THREE UNIQUE PRODUCT RANGES | ECOBOARD | PROCAP | LUXECAP

**WPS Handrails Showroom**  
Unit B2 Anchor Brook Industrial Park  
Lockside, Aldridge, WS9 8EQ

**innodek**  
by wps



Non compliant with BS6180:2011



Overall Height: 1100mm  
Glass Height: 1050mm  
Glass Spec: 10mm Toughened Clear Glass  
Posts: 48mm Dia Satin Polished Stainless 316

Ref No.  
OQ-207618

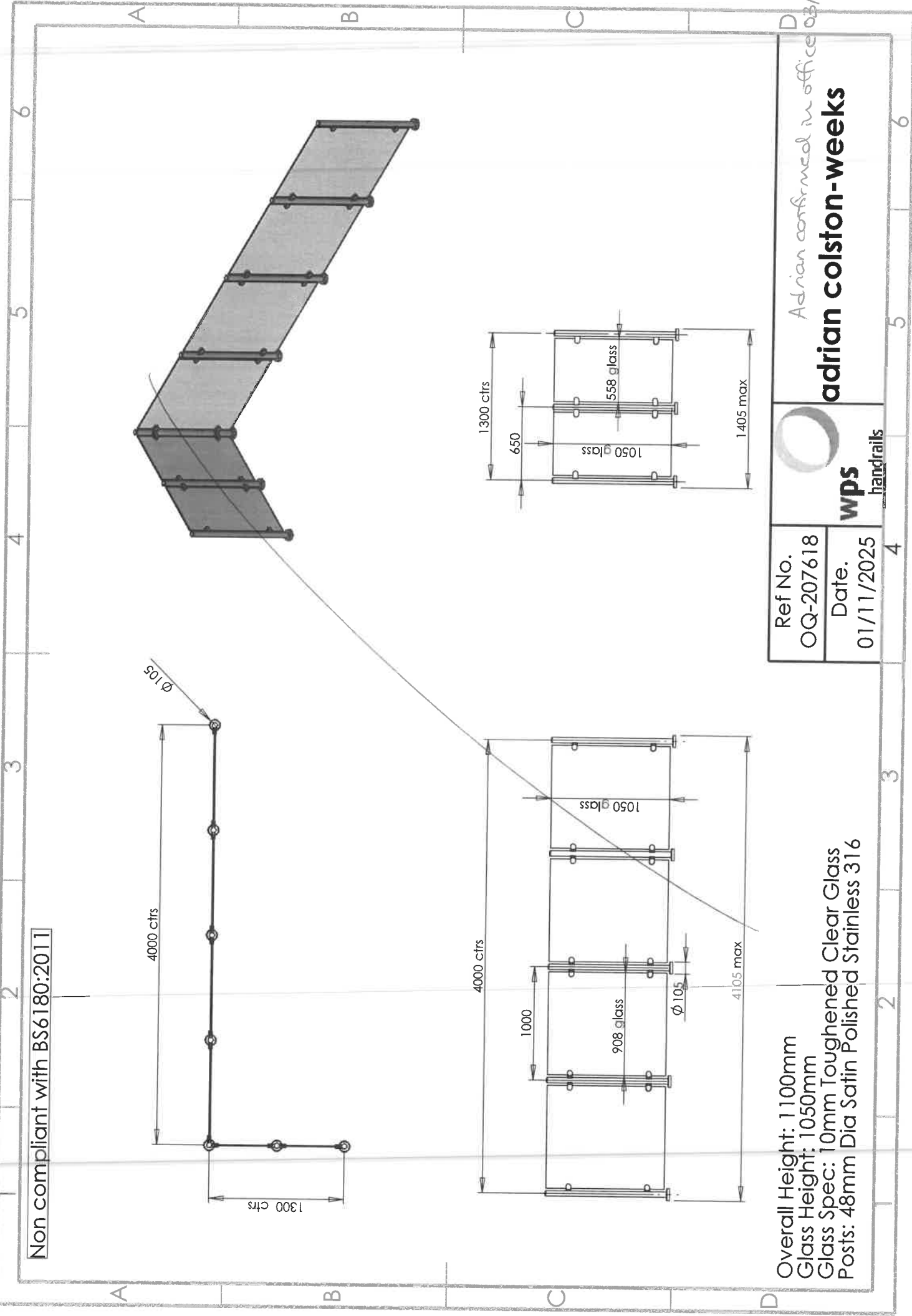
Date.  
01/11/2025



wps  
handrails

Adrian confirmed in office 03/11/25

adrian colston-weeks



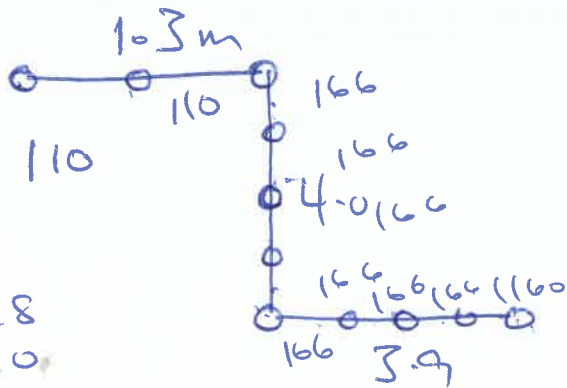




See on

# CP INTERIORS

Class Balustrade (old school house)



f 1,328  
 f 220  
 Skyn 350  


---

885-  
 1050

All 1100 high  
 1024 mm  
 9411

11 NO POST £150 each £1650

Class

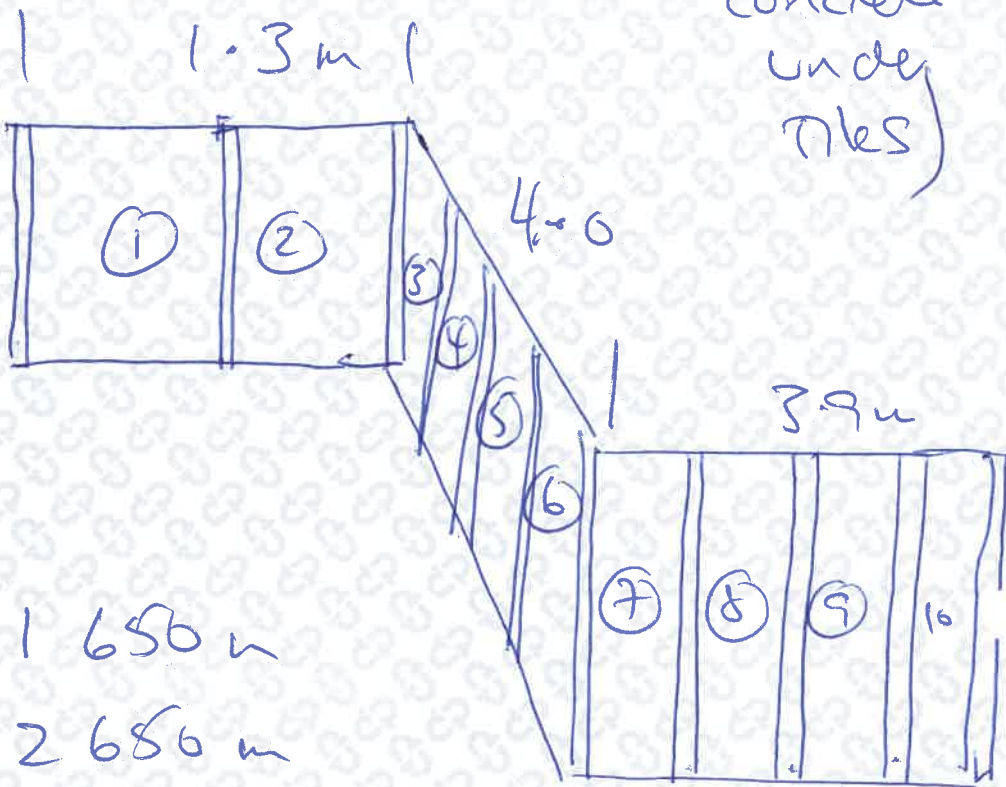
TOTAL PARTS £3548  
~~LABOUR~~ £1200  


---

 TOTAL £4748

T: (01534) 768141 | E: info@cpinteriors.je | www.cpinteriors.je  
 RUE des Pres Trading Estate, St Saviour, Jersey, JE2 7QN

( All Assumey Solid  
concrete  
under  
tiles )



1 650 mm

2 650 mm

3 - 10 = 1000 mm

2 End Posts

2 Corner Posts

7 Intermediate Posts



# CP INTERIORS

## QUOTE

To:  
Peter Le Boutillier  
Old School House  
La Route De Vinchelez  
St Ouen  
JE3 2DA

Job Number: SO17288 Q1

Quote Date: Saturday 18 Oct 2025

Customer Reference:

Deposit required: £ 2,492.70

Glass Balustrade

Your Contact: Tamara

Our Price Promise to you

We are so confident our pricing is competitive, that we will beat any written quotation for equivalent product by 5%

To supply and fit unless otherwise stated.

Location	Product	Description	Qty	Price
Balustrade	Parts	10x 1.1m high glass panels and 11x posts	1	£ 3,548.00
	Installation	To install glass balustrade	1	£ 1,200.00

\*Subject to confirmation of solid concrete under tiles\*

Terms: 50% deposit due with order, 50% on completion

Subtotal £ 4,748.00

**\*\* To go ahead with this quote please make deposit payment. To pay by card call us on 01534 768141 \*\***

GST £ 237.40

Direct Deposit - Sort Code: 60-12-03 Account: 66577772

Total £ 4,985.40

If you have any queries please call us on 01534 768141 or visit our showroom  
Rue des Pres Trading Estate St Saviour

Paid amount £ 0.00

Total amount £ 4,985.40

\*\* For Our Terms & Conditions of Sale please go to [www.cpinteriors.je](http://www.cpinteriors.je) \*\*

Please note: This quotation is only valid for acceptance for 7 days. Our estimate does not include any electrical work or additional carpentry work to install the above unless otherwise specified. Please note there is a handling charge on customer own fabric of £7.50 per metre. Due to high costs of labour, pre-arranged missed fitting appointments will be charged on a time-wasted basis. Settlement is due on completion of works and an administration charge of £25 will be added per month if unpaid within 30 days. We reserve the right to charge for design, advice and liaison work carried out should an order not be placed. Goods remain the property of CP Interiors until full settlement is received. Should payment not be received we reserve the right to attend premises during working hours to remove goods and not be required to make good. Our full terms and conditions apply and are available on request.

*6 panels 7 posts  
broken S/P  
inc freight*

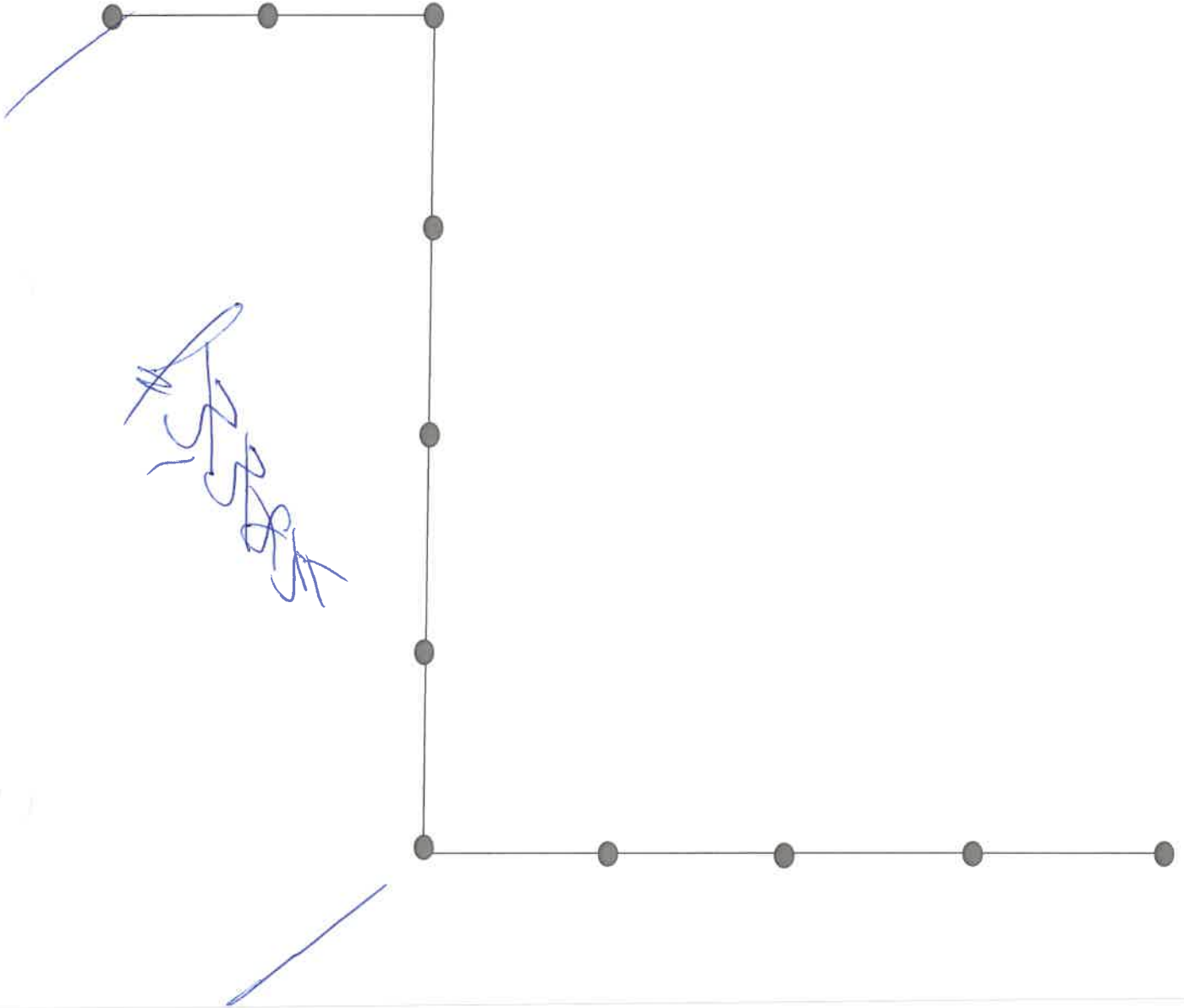
*2585  
870*

*CP*

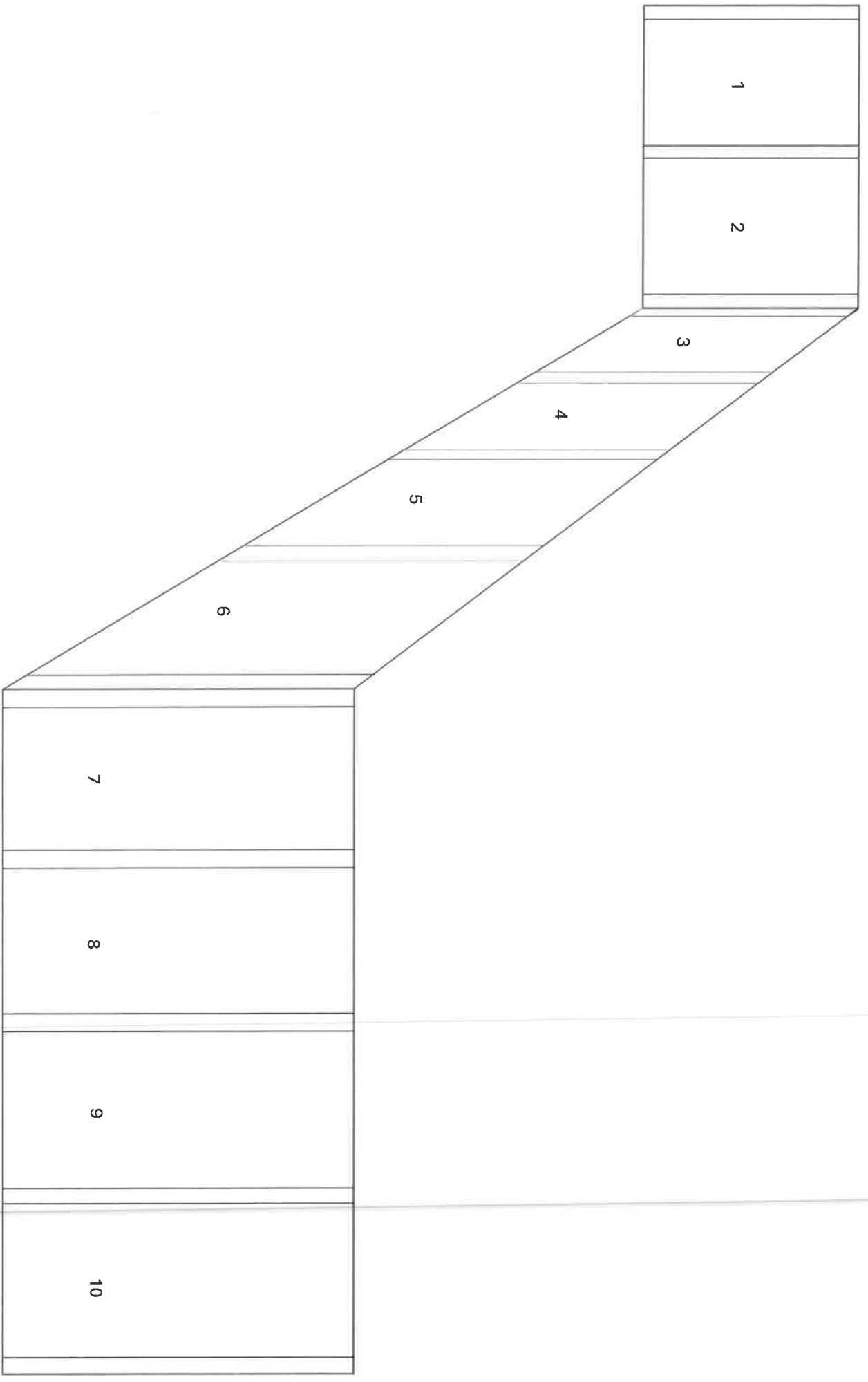


**SO17288 Le Boutillier**

- 1.1m high







1

2

3

4

5

6

7

8

9

10

