

## Configuration details

weinor Ltd 73 Cornhill EC3V 3QQ London

### C P Interiors

**Rue Des Pres Trading Estate  
GB-JE2 7QN St Saviour Jersey**

reference: FINLAISON  
Your order no.: SO16414  
weinor customernumber: 165708  
creation Date: 09.09.2025  
weinor pers. in charge: William Abbott  
phone / fax number: +49-221-59709-472  
representat.: Chris Spickett  
tel (representat.): 0044 ( 0) 7894443907

pos	quantity	article	price
1	1	weinor	8.149,00
		Permissible snow-bearing load : 750 N/m <sup>2</sup>	
		Roofsystem : Terrazza L Originale	
		Side of offset : wall offset, right	559,00
		measurement : 5370mm x 3400mm Depth: wall connection profile up to INSIDE edge of post	6.626,00
		Bottom edge gutter (mm) : 2114 mm	
		Width of offset right : 470 mm	
		Depth of offset right : 700 mm	
		Bottom edge connection to wall (mm) : 2550 mm	
		Bottom edge connection to wall 2 (mm) : 2488 mm	
		Top edge connection to wall (mm) : 2742 mm	
		Top edge connection to wall 2 (mm) : 2680 mm	
		)	
		Pitch of roof [°] : 5 °	
		Base colour : WT029/71289 Approx. RAL 7016	
		Covering : prepared for 10mm LSG	
		Advice covering : Caution! The dimensions for web plates and/or glass cannot be changed and only apply to the covering you have selected!!	
		Base element : 103 Type A wall offset, right	
		Seals : silicone-containing seals	
		Connection to wall left? : No wall connection on left	
		Connection to wall right? : Continuous wall connection on right	108,00
		Static adjustment of the roof for glazing element under side roof -beams on left and / or right? : Yes, statics for GEs (w50-c lite side element)	

weinor Ltd  
73 Cornhill  
GB-EC3V 3QQ London  
weinor.com

Managing Director:  
Tim Földner  
General partner:  
Weinor Beteiligungs-GmbH  
Köln

VAT no.: 335 2381 16  
Company no.: 12193066  
UTR no.: 33431 24084  
EORI no.: GB335238116000

**Domestic transfers:**  
Commerzbank London  
Sort Code: 406201  
Account Number: 307 537 10

**International transfers:**  
Commerzbank London  
IBAN: GB51 COBA 4062 0130 7537 10  
Swift: MIDLGB22 a/c COBAGB2X

## Configuration details

weinor Ltd 73 Cornhill EC3V 3QQ London

customer: 165708 reference: FINLAISON Page 2 of 11

pos	quantity	article	price
		Roof support type, outer roof supports left : 150 roof girder without steel	
		Roof support type, outer roof supports right : 150 roof girder without steel	
		number of transoms about both sides : 1 Piece	
		Number of transoms across the whole left side : 5	
		Number of transoms across the whole right side : 1	
		: 6 Piece	
		: 1 Piece	
		Axial dimension left : 961 mm	
		Axial dimension right : 470 mm	
		Number of posts : 3 Piece	
		Post position on the left : 53 mm	
		Recommended position of centre post : 2681,5 1st centre post from outer left-hand edge!	
		Post position on the right : 60 mm	
		Max. distance between posts with 1x steel in gutter : 3750 mm with no steel in gutter	
		Length of post : 3000	
		Statically necessary number of posts: {0}!	
		Post attachment left : Affix using standard post plates	
		Post attachment middle : Affix using standard post plates	
		Post attachment right : Affix using standard post plates	
		. : Please note! You have not selected enough drains!	
		Provision for fitting Sottezza. : 6 Piece	216,00
		Sottezza type : 0	
		Substructure elements present? : UBB glazing elements on both sides	
		Projection Sottezza right side[mm] : 0 mm	
		Projection Sottezza left side[mm] : 3337 mm	
		Distance Sottezza to wall : 40 mm	
		Distance Sottezza to gutter : 20 mm	
		Left-hand wall : Rectangular pipe 100x30	184,00
		: Rectangular pipe 50x30	
		Left-hand post : Inner univ. connection profile	114,00
		: Outer univ. connection profile 92	

## Configuration details

weinor Ltd 73 Cornhill EC3V 3QQ London

customer: 165708 reference: FINLAISON Page 3 of 11

pos	quantity	article	price
		Middle post : Inner univ. connection profile Outer univ. connection profile 92 Outer univ. connection profile 92 Inner univ. connection profile	228,00
		Right-hand post : Inner univ. connection profile Outer univ. connection profile 92	114,00
		weight (kg) : 219,25 kg	

	value of goods	discount amount / %	net
	8.149,00	3.259,60 / 40,00	4.889,40

**2 1 weinor Side element LITE w50-c 1.291,00**

Product use	: private house		
Frame profile	: blind frame section 105 w50-c bottom blind frame section 35 w50-c top		
Width of element [mm]	: 3350 mm		
Incline	: 5,01 Degree(s)		1.249,00
Installation side (as seen from inside)	: right		
Number of vertical glass panels	: four parts		
Equipped for	: prepared for 6mm (for cold use)		
Wind load bracket	: yes, with wind load profile		
Base colour	: WT029/71289 Approx. RAL 7016		
gap seal	: Gap seals for 6 mm glass, length 2000 mm		42,00
Cardboard packaging	: edges reinforcement		

	value of goods	discount amount / %	net
	1.291,00	516,40 / 40,00	774,60

## Configuration details

weinor Ltd 73 Cornhill EC3V 3QQ London

customer: 165708

reference: FINLAISON

Page 4 of 11

pos	quantity	article	price
-----	----------	---------	-------

3	1	weinor w17 easy - the full glass sliding door	3.545,00
---	---	---	----------

Product use	: private house		
width x height [mm]	: 3360 X 2114		2.918,00
type of floor rail	: standard floor rail with CleanCase		
CleanCase left (from inside)	: yes		
CleanCase right (from inside)	: yes		
Selection of leaves + tracks	: 4-track with 4 leaves		
Position of active leaf?	: left, as seen from inside		
Direction of opening	: sliding to the right		
Glazing	: 10 mm toughened safety glass, clear		
Soft-Closing-System	: Standard Damper		
handling	: handle bar standard		
side of the handling	: handling inside		
leaf actuator	: leaf actuator only closing in sliding direction		
Locking mechanism on inside, on bottom glass retainer profile	: Standard: Glass retainer profile, pre-drilled		
Height to middle of knob from underside of bottom track (mm)	: 1050 mm		
Base colour	: WT029/71289 Approx. RAL 7016		
wall connection profile left	: yes		
wall connection profile right	: yes		
brush seal	: 3 x Brush profile transparent for 10 mm glass, length 2800 mm		117,00
with mounting blocks?	: Mounting blocks 4 track standard (30 pieces; free of charge)		
Cardboard packaging	: edges reinforcement		
packaging	: Export packaging/ glass pallet		
extra charge glass pallet	: 2 x wooden pallet		510,00
weight	: 194,4 kg		

value of goods	discount amount / %	net
3.545,00	1.418,00 / 40,00	2.127,00

weinor Ltd  
73 Cornhill  
GB-EC3V 3QQ London  
weinor.com

Managing Director:  
Tim Fuldner  
General partner:  
Weinor Beteiligungs-GmbH  
Köln

VAT no.: 335 2381 16  
Company no.: 12193066  
UTR no.: 33431 24084  
EORI no.: GB335238116000

**Domestic transfers:**  
Commerzbank London  
Sort Code: 406201  
Account Number: 307 537 10

**International transfers:**  
Commerzbank London  
IBAN: GB51 COBA 4062 0130 7537 10  
Swift: MIDLGB22 a/c COBAGB2X

## Configuration details

weinor Ltd 73 Cornhill EC3V 3QQ London

customer: 165708 reference: FINLAISON Page 5 of 11

pos	quantity	article	price
-----	----------	---------	-------

4	1	weinor w17 easy - the full glass sliding door	2.184,00
---	---	---	----------

Product use	: private house	
width x height [mm]	: 2504 X 2114	2.106,00
type of floor rail	: standard floor rail with CleanCase	
CleanCase left (from inside)	: yes	
CleanCase right (from inside)	: yes	
Selection of leaves + tracks	: 3-track with 3 leaves	
Position of active leaf?	: left, as seen from inside	
Direction of opening	: sliding to the right	
Glazing	: 10 mm toughened safety glass, clear	
Soft-Closing-System	: Standard Damper	
handling	: handle bar standard	
side of the handling	: handling inside	
leaf actuator	: leaf actuator only closing in sliding direction	
Locking mechanism on inside, on bottom glass retainer profile	: Standard: Glass retainer profile, pre-drilled	
Height to middle of knob from underside of bottom track (mm)	: 1050 mm	
Base colour	: WT029/71289 Approx. RAL 7016	
wall connection profile left	: yes	
wall connection profile right	: yes	
brush seal	: 2 x Brush profile transparent for 10 mm glass, length 2800 mm	78,00
with mounting blocks?	: Mounting blocks 3 track standard (30 pieces; free of charge)	
Cardboard packaging	: edges reinforcement	
packaging	: Export packaging/ glass pallet	
weight	: 144,9 kg	

	value of goods	discount amount / %	net
	2.184,00	873,60 / 40,00	1.310,40

## Configuration details

weinor Ltd 73 Cornhill EC3V 3QQ London

customer: 165708 reference: FINLAISON Page 6 of 11

pos	quantity	article	price
-----	----------	---------	-------

6	1	weinor Sottezza Originale Optistretch	3.365,00
---	---	---------------------------------------	----------

Product use	: private house		
Sales order Terrazza	: 504311272		
Posn. of the sales order for Terrazza	: 1		
Number of panels	: single unit		
Width of Terrazza [mm]	: 5370 mm		
Distance centre to centre field	: 4748 mm		
width of cassette total	: 4784 mm		
Projection [mm]	: 3337 mm		3.139,00
Base colour	: WT029/71289 Approx. RAL 7016		
Cable clips along the back of the cassette	: without cable clips along the back of the cassette		
type of control	: Remote-controlled motor IO Homecontrol		139,00
Side of control (seen from the front)	: left		
Hirschmann plug tight?	: Hirschmann plug not assembled		14,00
control	: hand transmitter Situo 1 io II by weinor		73,00
type of motor	:		
Side channel bracket	: 4 Piece		
brackets top plate	: 2 Piece		
Colour, cassette	:		
colour front rail	:		
Colour, side channel	:		
colour of guide rail end caps	:		
colour of guide bar brackets	:		
real-design	: WE3-501		
colour of thread Saba	: light beige		
Cardboard packaging	: edges reinforcement		
weight	: 76 kg		

value of goods	discount amount / %	net
3.365,00	1.346,00 / 40,00	2.019,00

weinor Ltd  
73 Cornhill  
GB-EC3V 3QQ London  
weinor.com

Managing Director:  
Tim Fuldner  
General partner:  
Weinor Beteiligungs-GmbH  
Köln

VAT no.: 335 2381 16  
Company no.: 12193066  
UTR no.: 33431 24084  
EORI no.: GB335238116000

**Domestic transfers:**  
Commerzbank London  
Sort Code: 406201  
Account Number: 307 537 10

**International transfers:**  
Commerzbank London  
IBAN: GB51 COBA 4062 0130 7537 10  
Swift: MIDLGB22 a/c COBAGB2X

## Configuration details

weinor Ltd 73 Cornhill EC3V 3QQ London

customer: 165708 reference: FINLAISON Page 7 of 11

pos	quantity	article	price
-----	----------	---------	-------

7	1	weinor w17 easy - the full glass sliding door	2.184,00
---	---	---	----------

Product use	: private house	
width x height [mm]	: 2504 X 2114	2.106,00
type of floor rail	: standard floor rail with CleanCase	
CleanCase left (from inside)	: yes	
CleanCase right (from inside)	: yes	
Installation side (as seen from inside)	: 0	
Selection of leaves + tracks	: 3-track with 3 leaves	
Position of active leaf?	: left, as seen from inside	
Direction of opening	: sliding to the right	
Glazing	: 10 mm toughened safety glass, clear	
Soft-Closing-System	: Standard Damper	
handling	: handle bar standard	
side of the handling	: handling inside	
leaf actuator	: leaf actuator only closing in sliding direction	
Locking mechanism on inside, on bottom glass retainer profile	: Standard: Glass retainer profile, pre-drilled	
Height to middle of knob from underside of bottom track (mm)	: 1050 mm	
Base colour	: WT029/71289 Approx. RAL 7016	
wall connection profile left	: yes	
wall connection profile right	: yes	
brush seal	: 2 x Brush profile transparent for 10 mm glass, length 2800 mm	78,00
with mounting blocks?	: Mounting blocks 3 track standard (30 pieces; free of charge)	
Cardboard packaging	: edges reinforcement	
packaging	: Export packaging/ glass pallet	
weight	: 144,9 kg	

	value of goods	discount amount / %	net
	2.184,00	873,60 / 40,00	1.310,40

value of goods GBP	discount amount	net GBP	VAT (0 %)	Total GBP
20.718,00	8.287,20	12.430,80	0,00	12.430,80

weinor Ltd  
73 Cornhill  
GB-EC3V 3QQ London  
weinor.com

Managing Director:  
Tim Fuldner  
General partner:  
Weinor Beteiligungs-GmbH  
Köln

VAT no.: 335 2381 16  
Company no.: 12193066  
UTR no.: 33431 24084  
EORI no.: GB335238116000

**Domestic transfers:**  
Commerzbank London  
Sort Code: 406201  
Account Number: 307 537 10  
**International transfers:**  
Commerzbank London  
IBAN: GB51 COBA 4062 0130 7537 10  
Swift: MIDLGB22 a/c COBAGB2X



## Configuration details

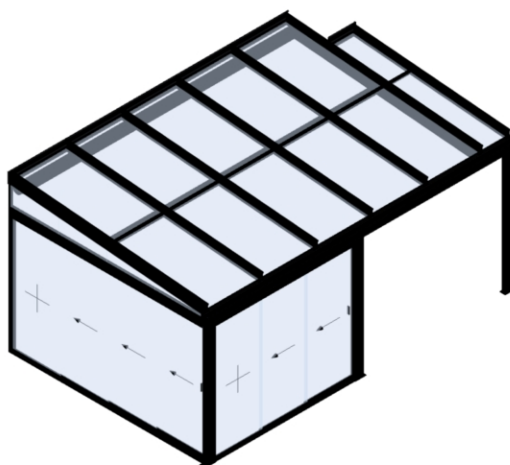
weinor Ltd 73 Cornhill EC3V 3QQ London

customer: 165708

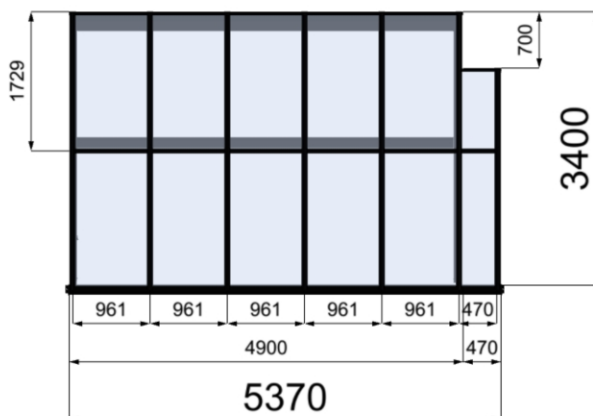
reference: FINLAISON

Page 8 of 11

isometric view



top view



weinor Ltd  
73 Cornhill  
GB-EC3V 3QQ London  
weinor.com

Managing Director:  
Tim Fuldner  
General partner:  
Weinor Beteiligungs-GmbH  
Köln

VAT no.: 335 2381 16  
Company no.: 12193066  
UTR no.: 33431 24084  
EORI no.: GB335238116000

**Domestic transfers:**  
Commerzbank London  
Sort Code: 406201  
Account Number: 307 537 10

**International transfers:**  
Commerzbank London  
IBAN: GB51 COBA 4062 0130 7537 10  
Swift: MIDLGB22 a/c COBAGB2X



## Configuration details

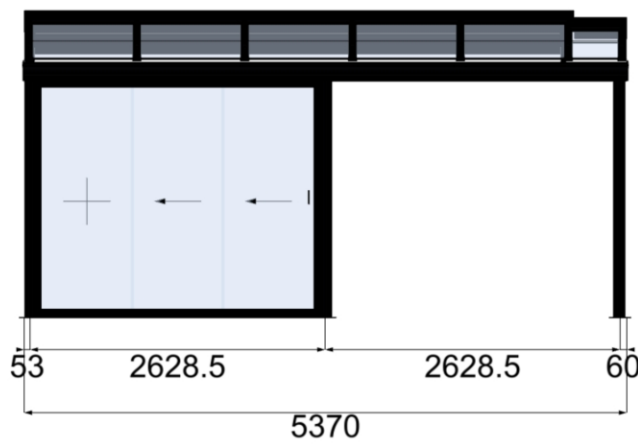
weinor Ltd 73 Cornhill EC3V 3QQ London

customer: 165708

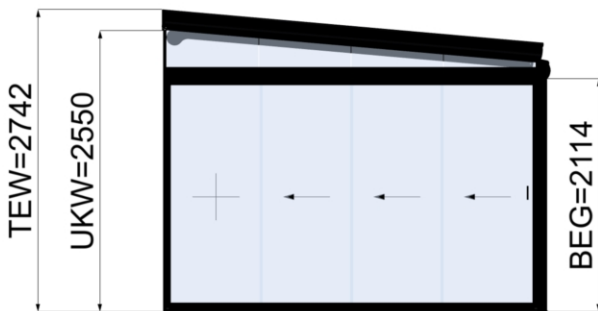
reference: FINLAISON

Page 9 of 11

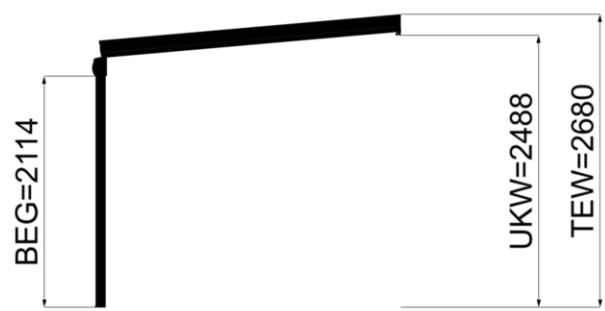
front view



side view left



side view right





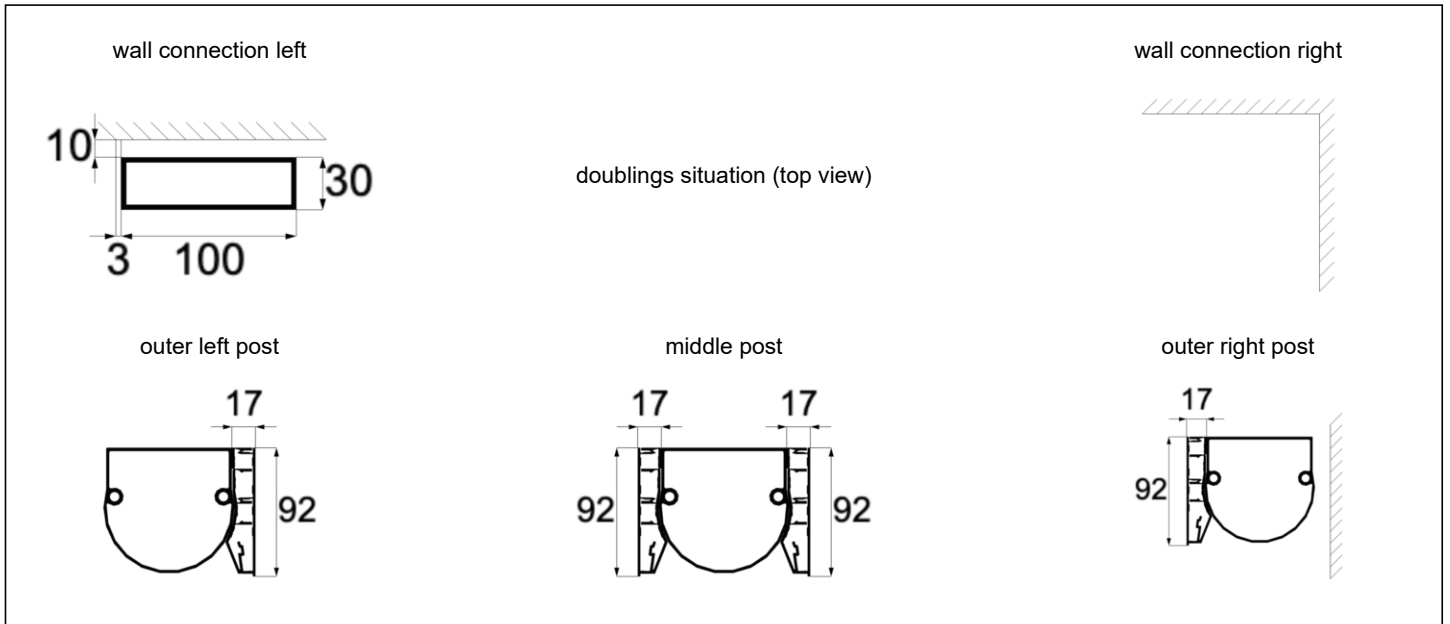
# Configuration details

weinor Ltd 73 Cornhill EC3V 3QQ London

customer: 165708

reference: FINLAISON

Page 10 of 11



weinor Ltd  
73 Cornhill  
GB-EC3V 3QQ London  
weinor.com

Managing Director:  
Tim Földner  
General partner:  
Weinor Beteiligungs-GmbH  
Köln

VAT no.: 335 2381 16  
Company no.: 12193066  
UTR no.: 33431 24084  
EORI no.: GB335238116000

**Domestic transfers:**  
Commerzbank London  
Sort Code: 406201  
Account Number: 307 537 10

**International transfers:**  
Commerzbank London  
IBAN: GB51 COBA 4062 0130 7537 10  
Swift: MIDLGB22 a/c COBAGB2X



# Configuration details

weinor Ltd 73 Cornhill EC3V 3QQ London

customer: 165708 reference: FINLAISON

Page 11 of 11

Note, these glass dimensions are not part of the order confirmation and are only part of the configuration from 15.9.2025.

## Glass Dimensions

Position 1		prepared for 10mm LSG		
quantity	form	Width	Height left	Height right
10	rectangle	916	1696	1696
1	rectangle	425	996	996
1	rectangle	425	1696	1696

Position 2		prepared for 6mm (for cold use)		
quantity	form	Width	Height left	Height right
1	trapezium right	832	52	125
1	trapezium right	832	126	199
1	trapezium right	832	199	272
1	trapezium right	832	273	345

