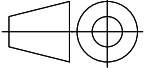



Drawing list

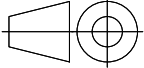

No.	Drawing No.	Drawing name	Date	Revision No.	Revision Date	Comment
1	25ALU068KR_DL_001_A	Drawing list	2025-07-23			
2	25ALU068KR_ML_001_A	Material list	2025-07-23			
3	25ALU068KR_GD01_001_A	Product Pos. GD01 Building: UNIT-2	2025-07-23			
4	25ALU068KR_GD02_001_A	Product Pos. GD02 Building: UNIT-2	2025-07-23			
5	25ALU068KR_GD03_001_A	Product Pos. GD03 Building: UNIT-2	2025-07-23			
6	25ALU068KR_GW04_001_A	Product Pos. GW04 Building: UNIT-2	2025-07-23			
7	25ALU068KR_ GD05-FW09-FW10_001_A	Product Pos. GD05; FW09; FW10 Building: UNIT-2	2025-07-23			
8	25ALU068KR_ GD05-FW09-FW10_002_A	Product Pos. GD05; FW09; FW10 Building: UNIT-2	2025-07-23			
9	25ALU068KR_ GD04-FD01-FW08_001_A	Product Pos. GD04; FD01; FW08 Building: UNIT-2	2025-07-23			
10	25ALU068KR_ GD04-FD01-FW08_002_A	Product Pos. GD04; FD01; FW08 Building: UNIT-2	2025-07-23			

Responsible departament	Project manager Karolis Rimkevičius	Prepared Rokas Laurišonis	Approved		
UAB „Smart aluminium constructions LT“ Limited liability company Zietelos str. 3, Vilnius, Lithuania LT 03160 e-mail: info@smartalu.lt https://www.smartalu.lt/lt		Document type Architectural drawing	Document status		
		Title Drawing list	Document number 25ALU068KR_DL_001_A		
Project title 25ALU068KR		Revision 0	Date 2025/07/23	Scale -	Page 1/1

No.	Material name
1.1	Slicone (Not SMART responsibility)
1.2	Exterior granite finish (Not SMART responsibility)
1.3	Exterior wood finish (Not SMART responsibility)
1.4	Exterior finish (Not SMART responsibility)
1.5	Wndows sill (Not SMART responsibility)
2	Vapor insulation (internal tape) Foliiband EC Inside Alu Total 100mm x 25m
3	Wndows mounting plates, 147 mm long
4	Wood screw ESSPH 6,0x100 C4, A2
4.1	Wood screw ESSPH 6,0x60 C4, A2
5	Screw DIN 7982-ISO 7050 4,8x25 A2
6	Adjustment block 5 - 10 mm, thick
7	Installation foam Penosil Wndow & door Elastic
8	Door filler insulation
9	Outer sheet metal with 10 mm thick horizontal millings, color - RAL 7016
10	Inner sheet metal, color - RAL 7016
11	Pull handle SS(1000-800), 304 stainless steel
12	Lever handle (inside)
13	Concrete screw SFSIntec FB FK T30 7.5x102, A2
14	EPDM 350 mm wide tape 0.75 mm thick together with EPDM glue (600 ml) Soudaseal
15	Reinforced angle bracket 70x70x55x2 mm, steel DX 51 Z275
15.1	Reinforced angle bracket 90x50x50x2 mm, steel DX 51 Z276
15.2	Angle bracket 100x100x80x2,5 mm
16	Outer tape - Foliiband EC Outside UV+ Total 150mm
17	Screw DIN 7981-ISO 7049 4,8x38 A2
17.1	Screw DIN 7981-ISO 7049 4,8x22 A2
18	Warmotech Type PA profiles
19	Glass package
20	Drainage cover for Reynaers system profiles
21	Pan head screw HBSP8120 8x120 (TX40) ZN
22	Reynaers MasterLine 8 Standard profiles
22.1	Reynaers CF 77 profiles
22.2	Reynaers MasterPatio Slim profiles
23	Pin Ø12/ 15mm, color - RAL 7016
24	Aluminium angle bracket
25	Trickle ventilation (SFX 13 4000EA SF 418 Canopy)

Notes:

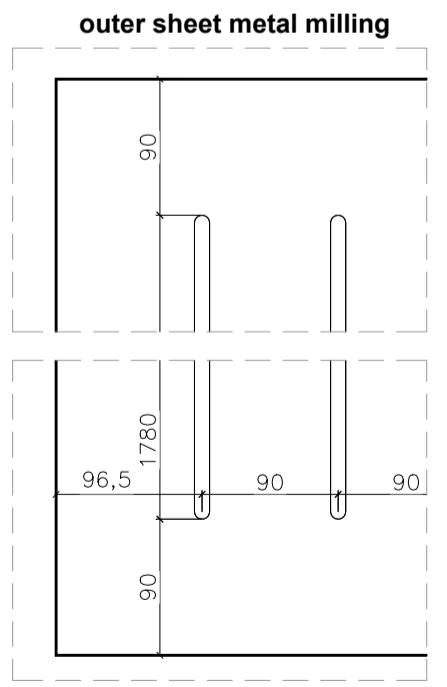
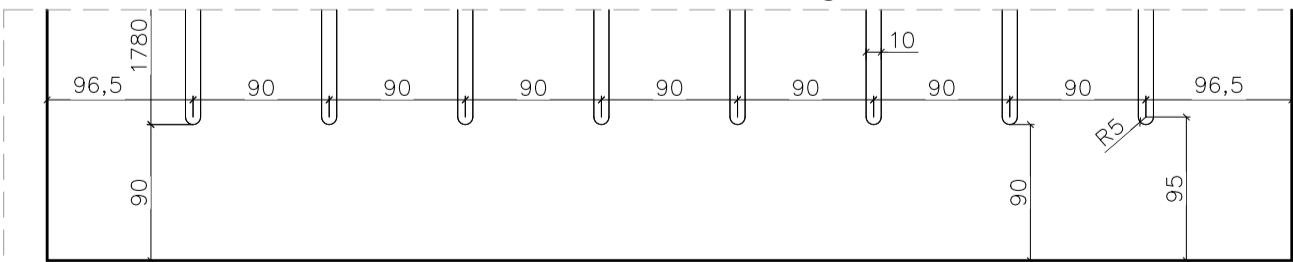
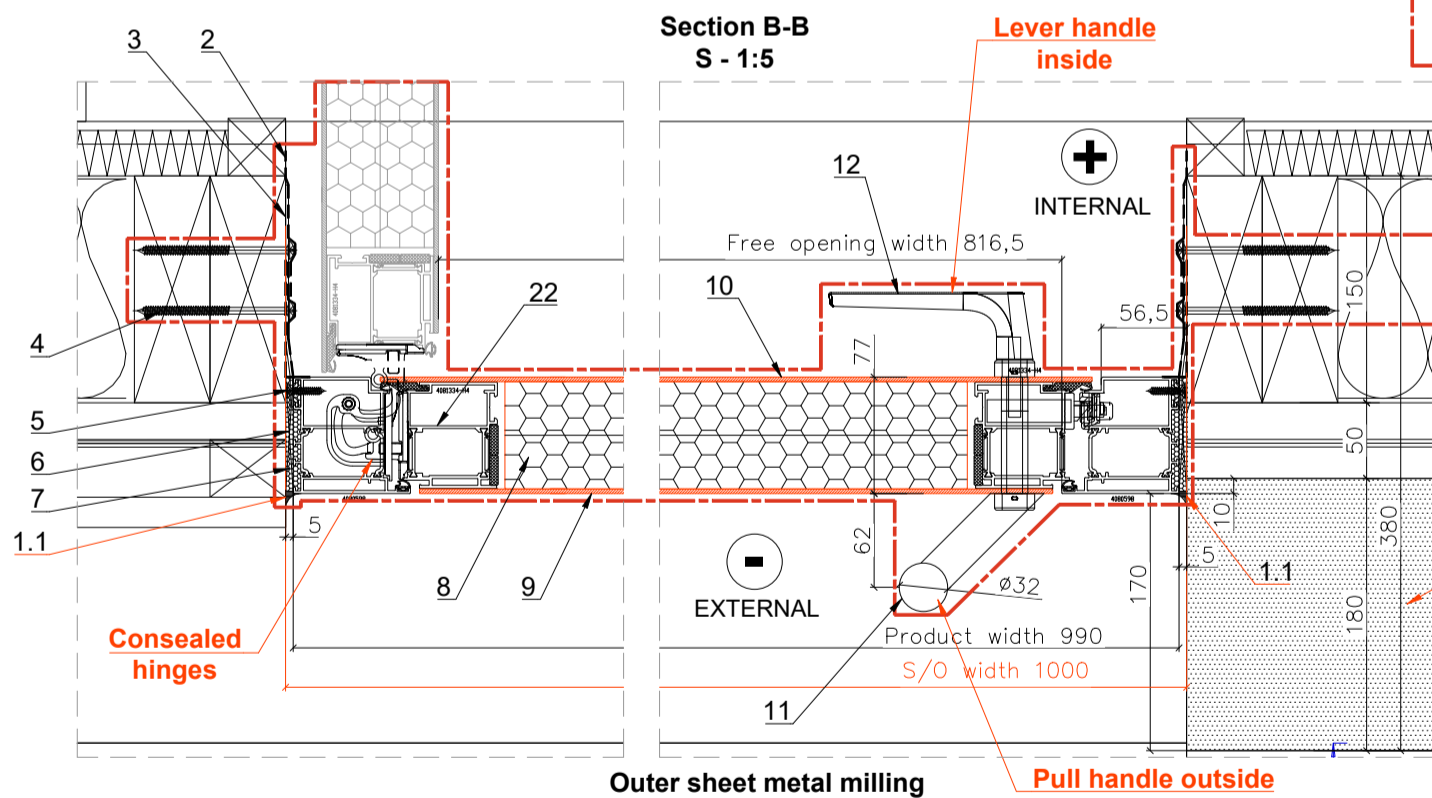
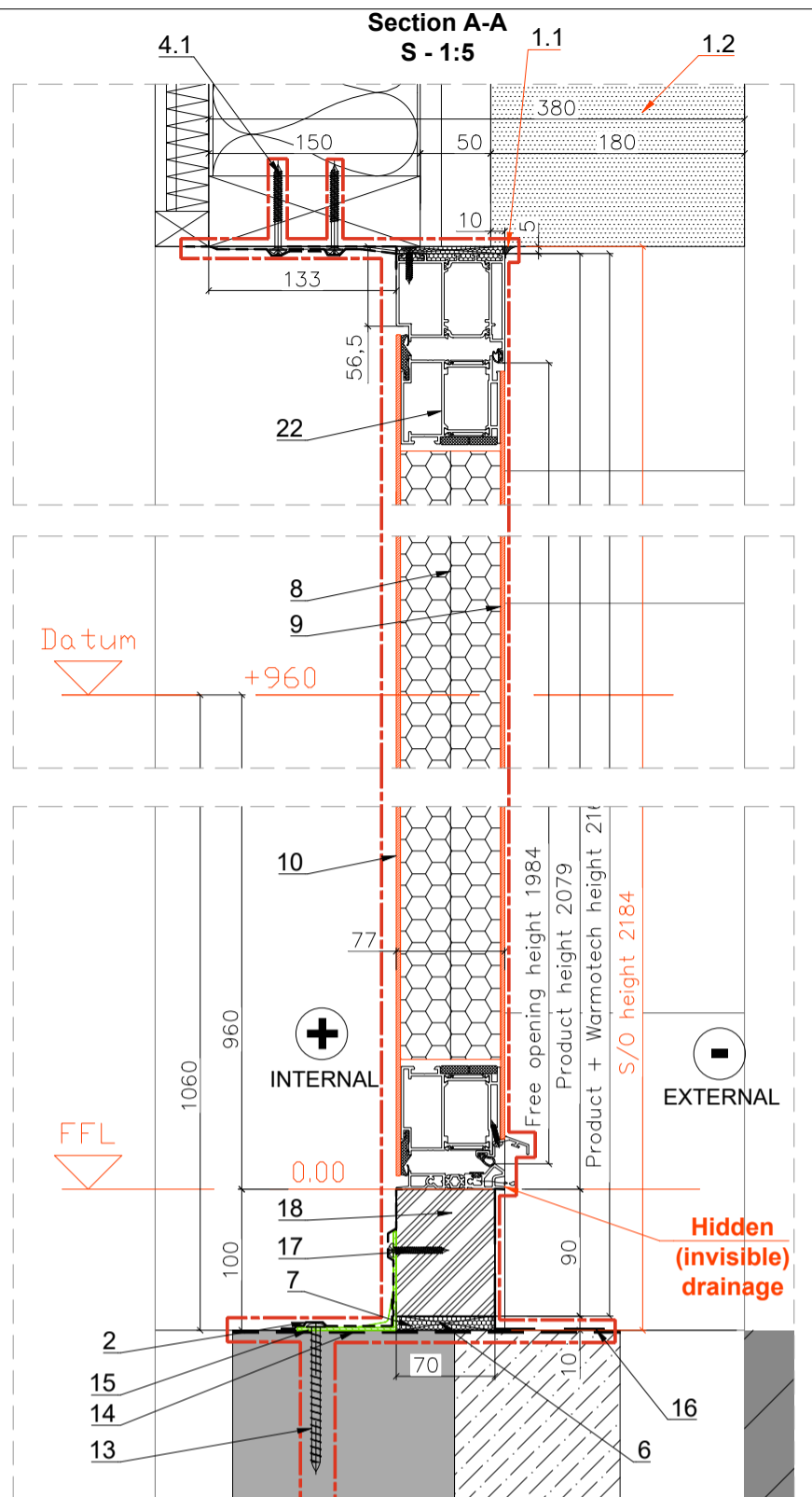
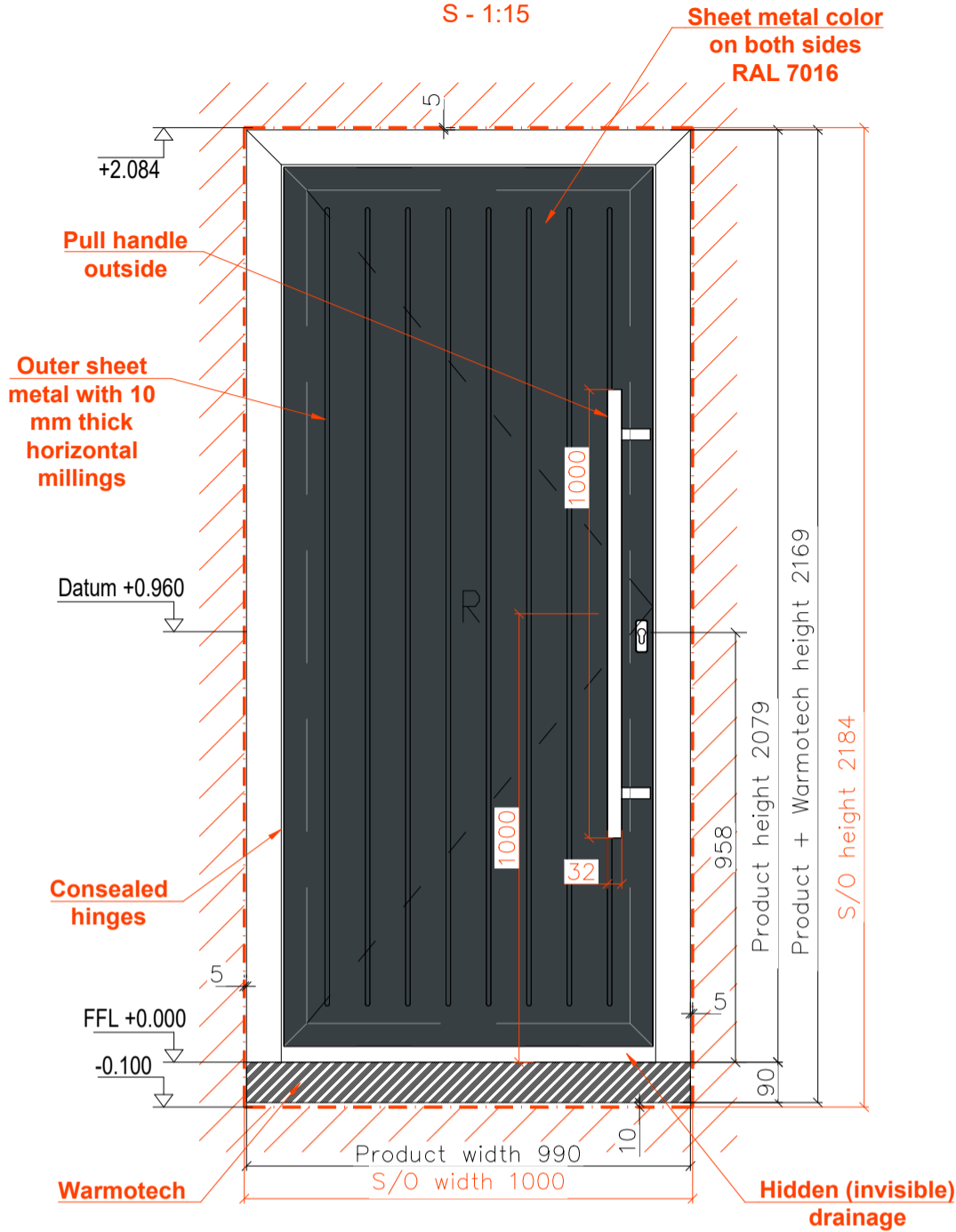
1. The materials presented in the table can be changed to materials corresponding to the current properties of the selected materials or having better properties. **Changes must be coordinated with the Smart Aluminum Constructions (SMART) team.**

Responsible department	Project manager Karolis Rimkevičius	Prepared Rokas Laurišonis	Approved			
UAB „Smart aluminium constructions LT“ Limited liability company Zietelos str. 3, Vilnius, Lithuania LT 03160 e-mail: info@smartalu.lt https://www.smartalu.lt/lt		 Document type Architectural drawing	Document status Document number 25ALU068KR_PL_001_A			
Project title 25ALU068KR		Title Material list	Revision 0	Date 2025/07/23	Scale -	Page 1/1

Building: UNIT-2

GD01

View from outside
S - 1:15

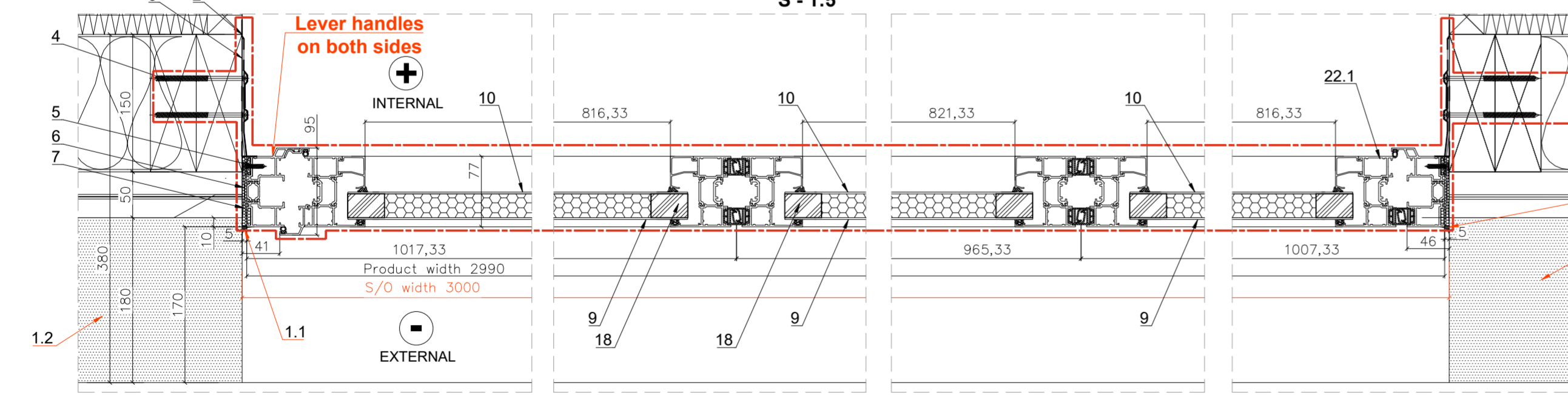
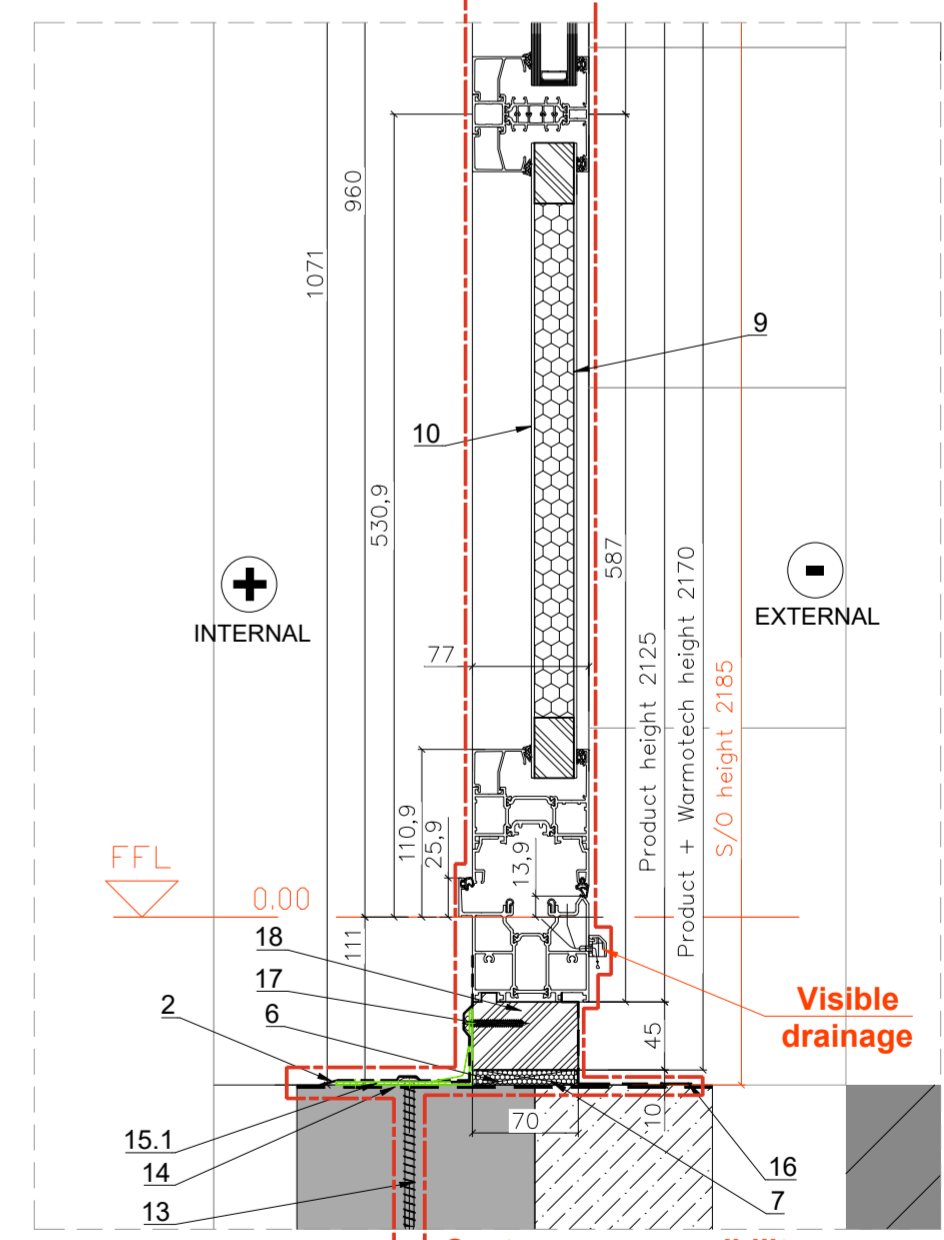
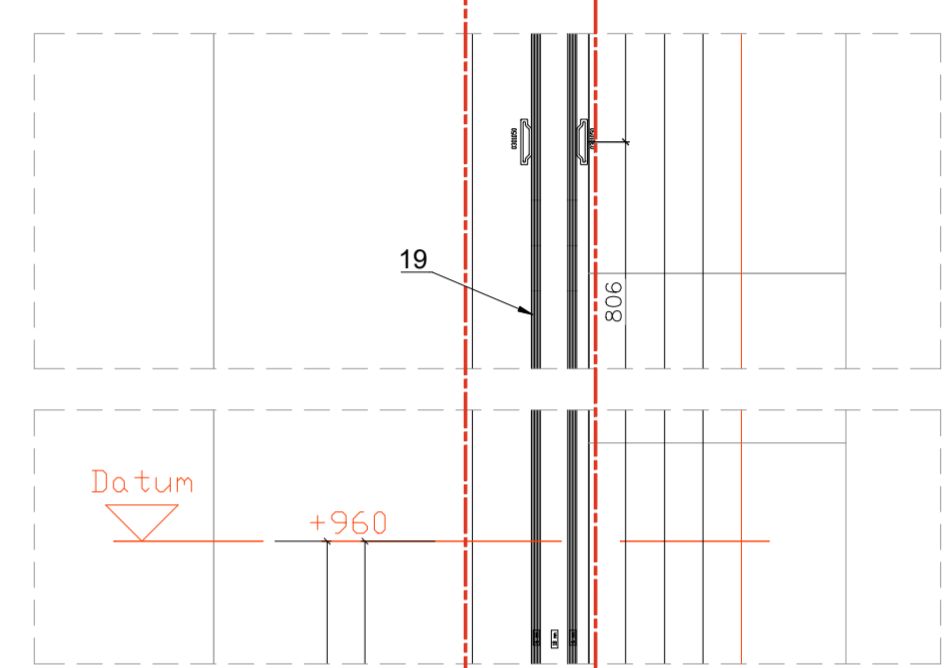
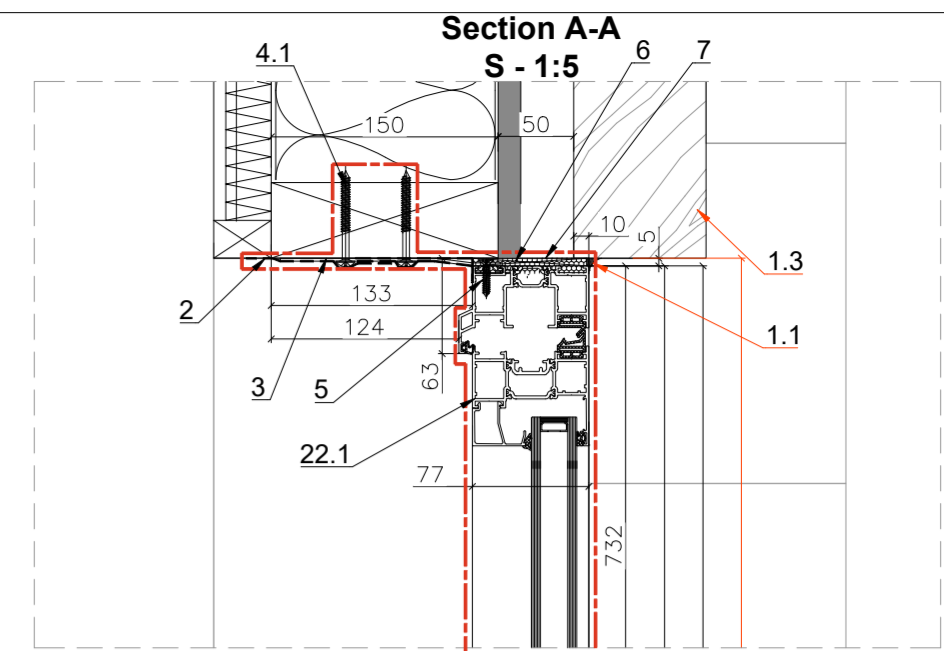
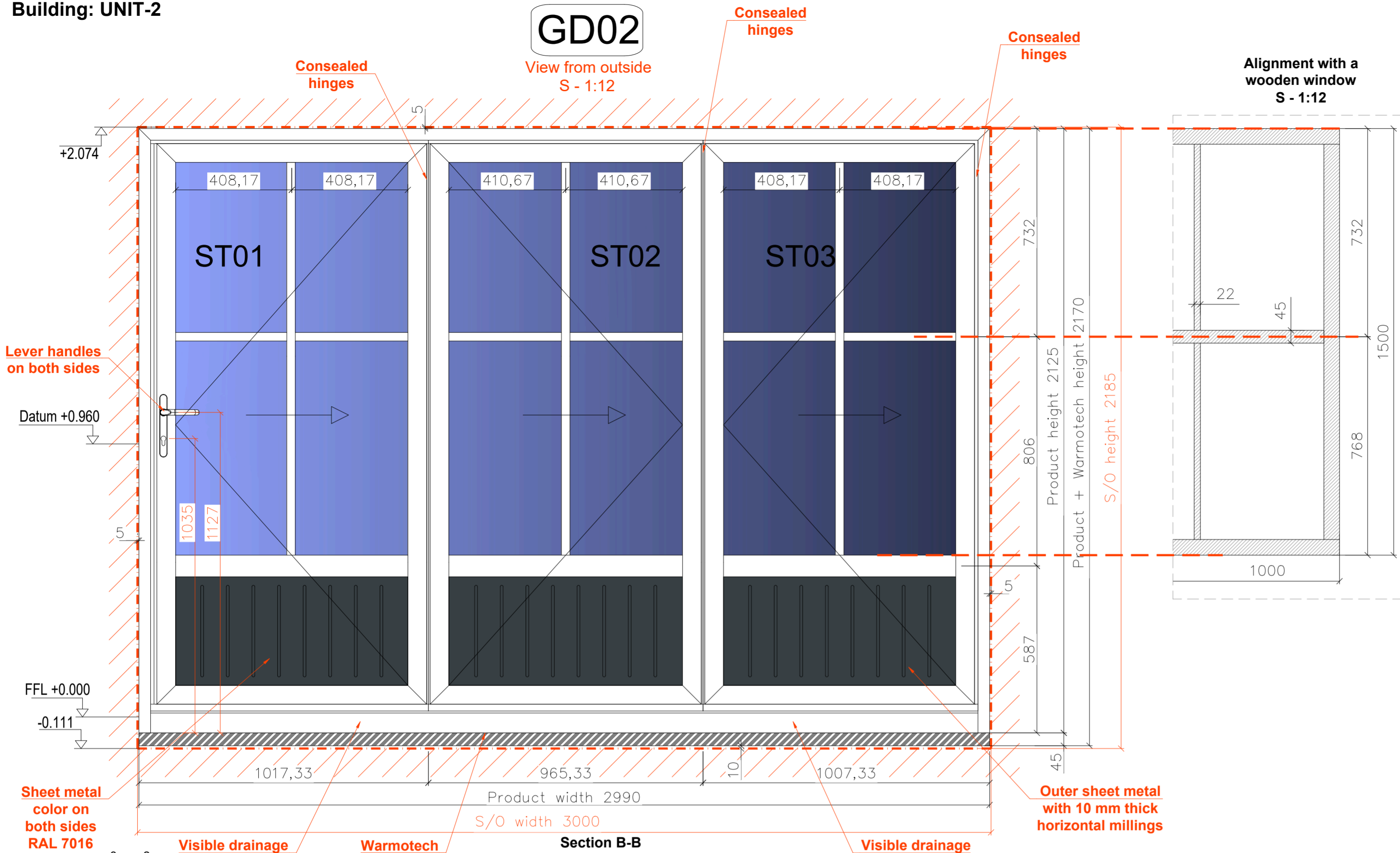


Notes:

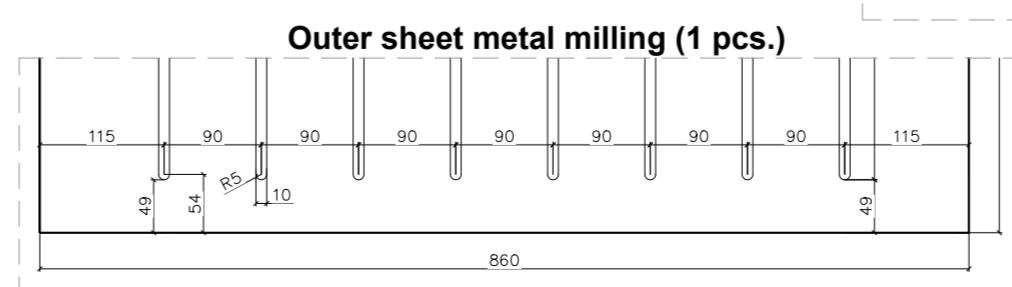
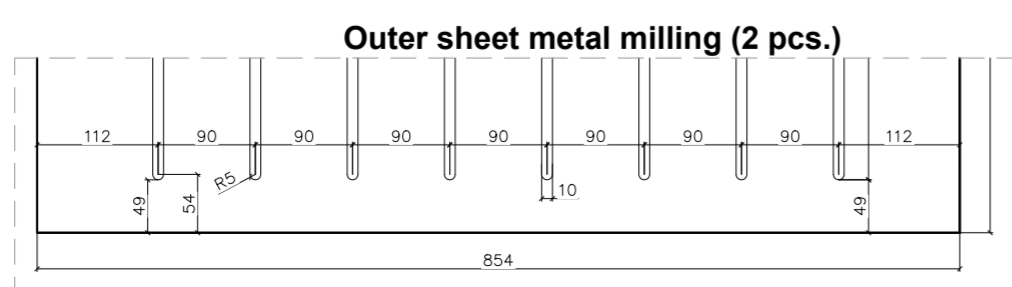
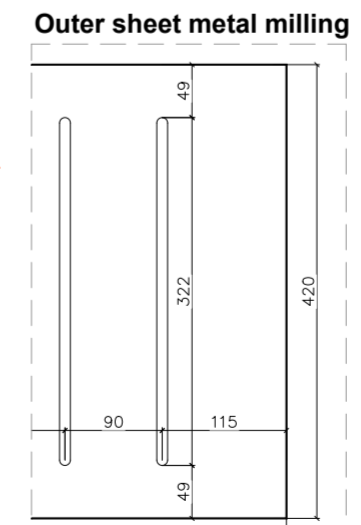
1. SMART - Smart aluminium constructions (responsibility line).
2. The gaps that appear between the installation materials (mounting plates, aluminum plates, aluminum and steel brackets) and the sealing tape should be sealed. After mounting use silicone and sealing tape pieces to seal it.
3. Before gluing the internal vapor insulation, it is necessary to cover the base with a primer.
4. Recommendation: in the wood building structure elements, drill holes for fixing screws before fixing the product.
5. After installing (SMART) products, insulation of foundations, walls and other areas is not SMART's responsibility.
6. Fill color - RAL 7016.

Responsible department	Project manager Karolis Rimkevičius	Prepared Rokas Laurišonis	Approved	
UAB „Smart aluminium constructions LT“ Limited liability company Zietelos str. 3, Vilnius, Lithuania LT 03160 e-mail: info@smartalu.lt https://www.smartalu.lt/lt		Document type Architectural drawing	Document status	
Project title 25ALU068KR		Title Product Pos. GD01	Document number 25ALU068KR_GD01_001_A	
			Revision Date 0 2025/07/23	Scale 1:15 1:5
				Page 1/1

View from outside
S - 1:12



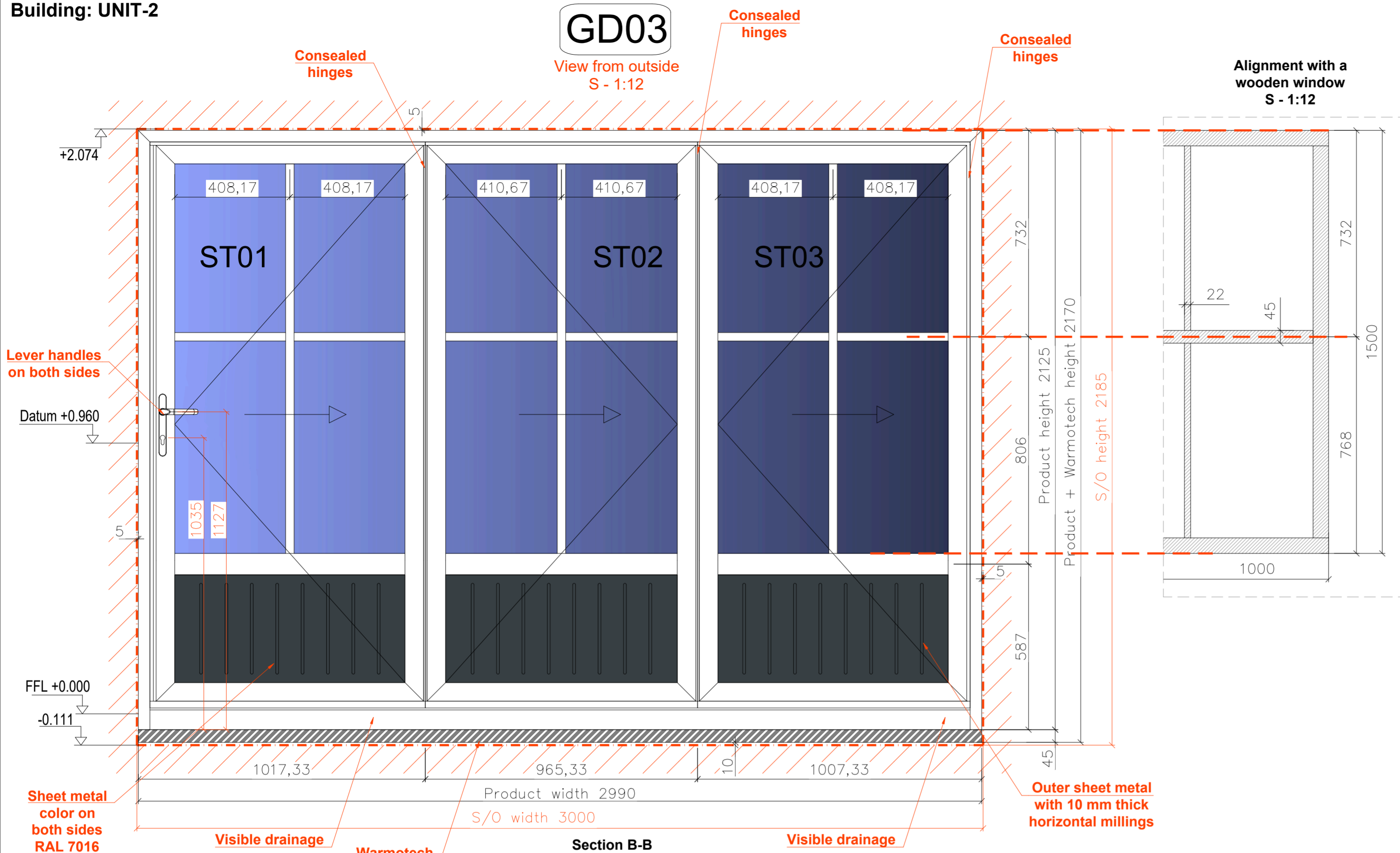
Customer responsibility
SMART responsibility
Customer responsibility



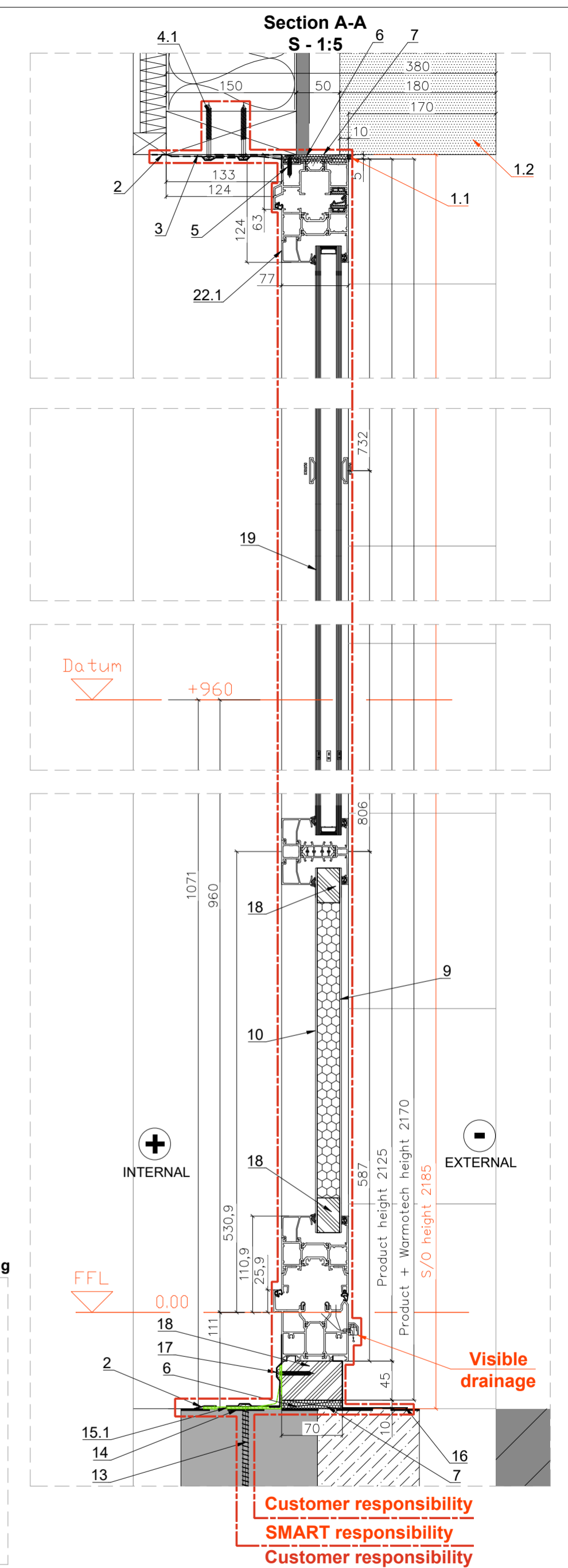
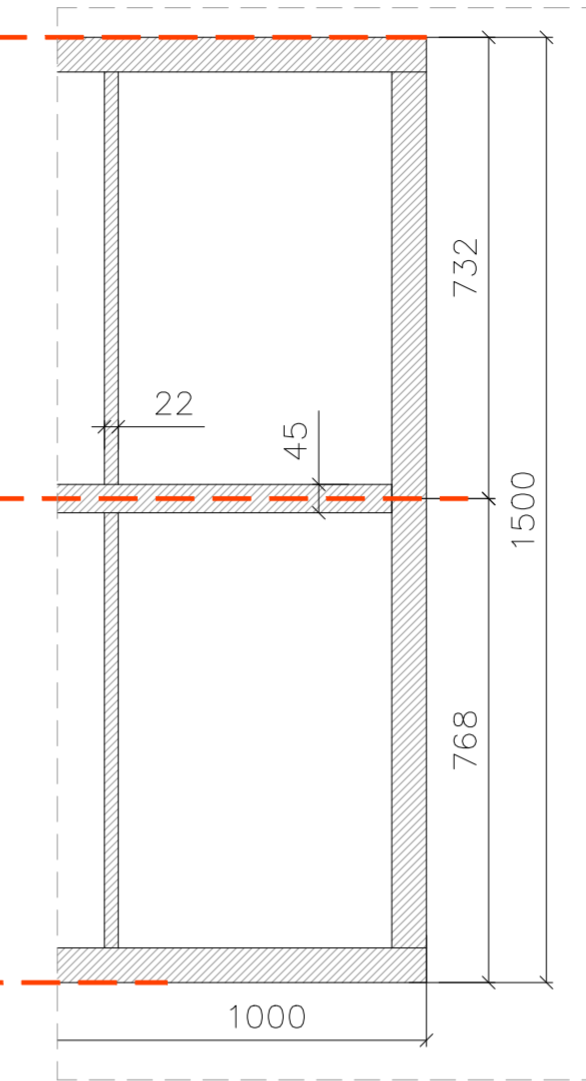
- Notes:
1. SMART - Smart aluminium constructions (responsibility line).
 2. The gaps that appear between the installation materials (mounting plates, aluminum plates, aluminum and steel brackets) and the sealing tape should be sealed. After mounting use silicone and sealing tape pieces to seal it.
 3. Before gluing the internal vapor insulation, it is necessary to cover the base with a primer.
 4. Recommendation: in the wood building structure elements, drill holes for fixing screws before fixing the product.
 5. After installing (SMART) products, insulation of foundations, walls and other areas is not SMART's responsibility.
 6. Fill color - RAL 7016.

Responsible department	Project manager	Prepared	Approved
	Karolis Rimkevičius	Rokas Laurišonis	
UAB „Smart aluminium constructions LT“ Limited liability company Zietelos str. 3, Vilnius, Lithuania LT 03160 e-mail: info@smartalu.lt https://www.smartalu.lt/lt		Document type	Document status
		Architectural drawing	
Project title		Title	Document number
25ALU068KR		Product Pos. GD02	25ALU068KR_GD02_001_A
		Revision/Date	Scale/ Page
		0/2025/07/23	1:12/ 1:5 1/1

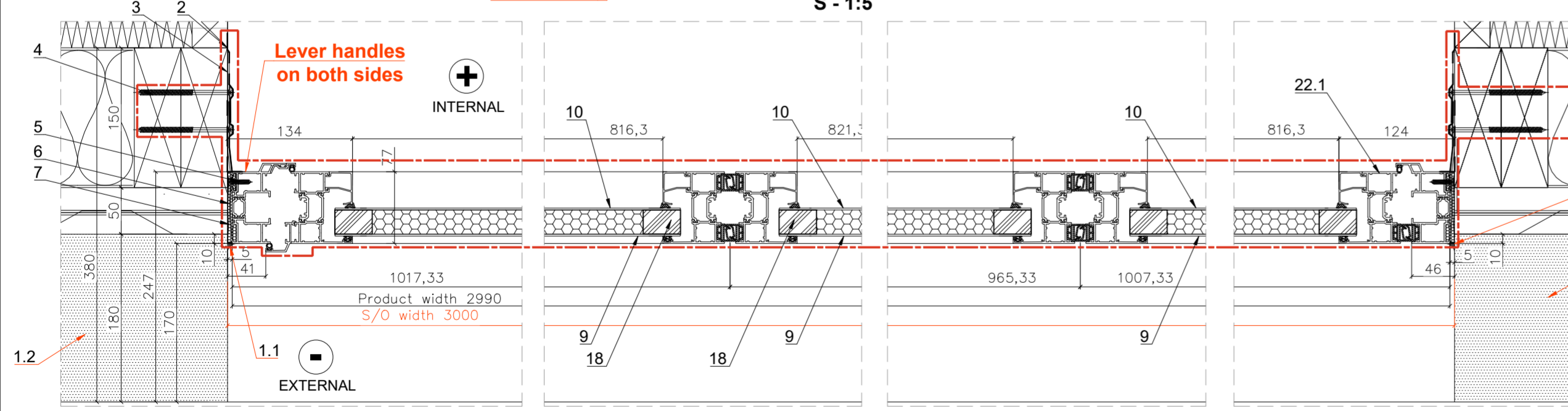
View from outside
S - 1:12



Alignment with a
wooden window
S - 1:12

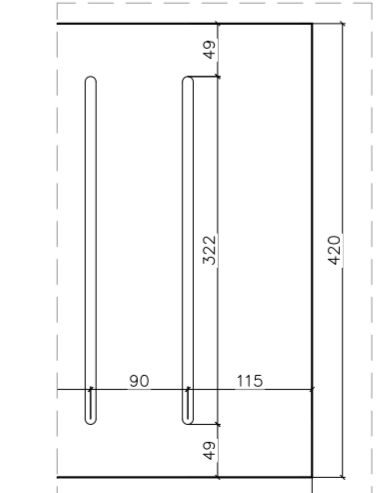


Section B-B
S - 1:5

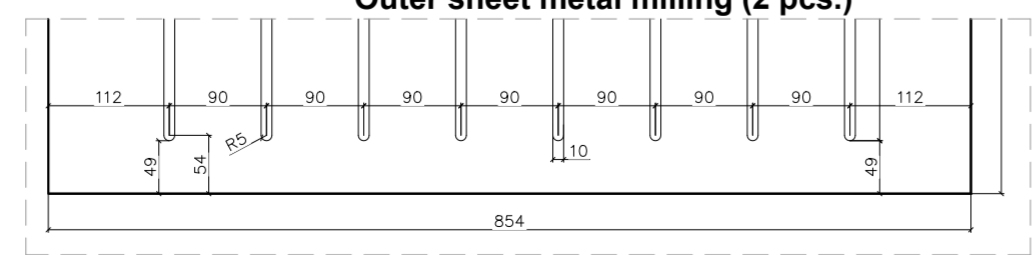


Customer responsibility
SMART responsibility
Customer responsibility

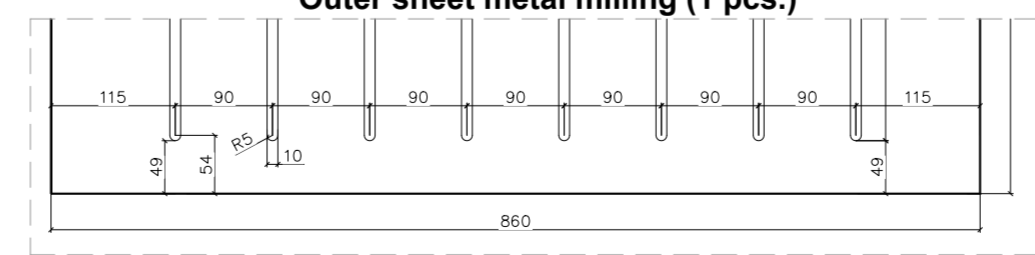
Outer sheet metal milling



Outer sheet metal milling (2 pcs.)



Outer sheet metal milling (1 pcs.)



- Notes:
1. SMART - Smart aluminium constructions (responsibility line).
 2. The gaps that appear between the installation materials (mounting plates, aluminum plates, aluminum and steel brackets) and the sealing tape should be sealed. After mounting use silicone and sealing tape pieces to seal it.
 3. Before gluing the internal vapor insulation, it is necessary to cover the base with a primer.
 4. Recommendation: in the wood building structure elements, drill holes for fixing screws before fixing the product.
 5. After installing (SMART) products, insulation of foundations, walls and other areas is not SMART's responsibility.
 6. Fill color - RAL 7016.

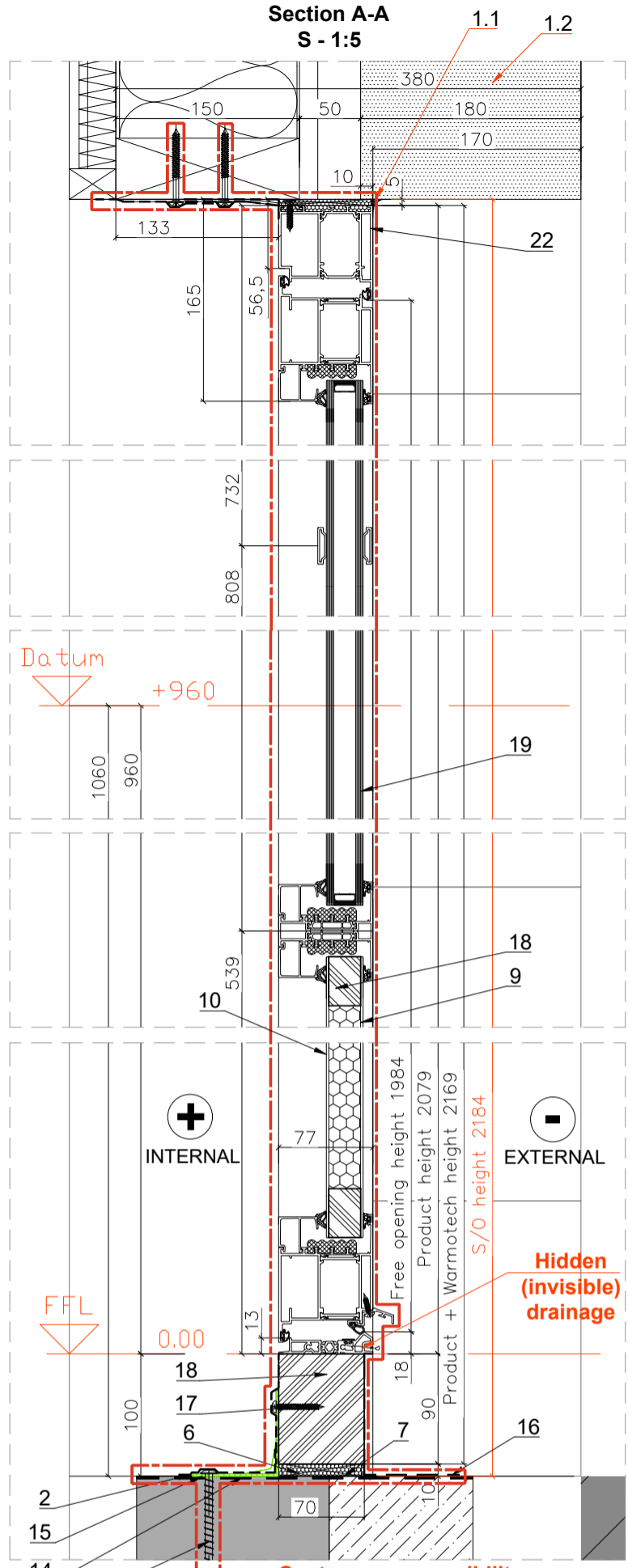
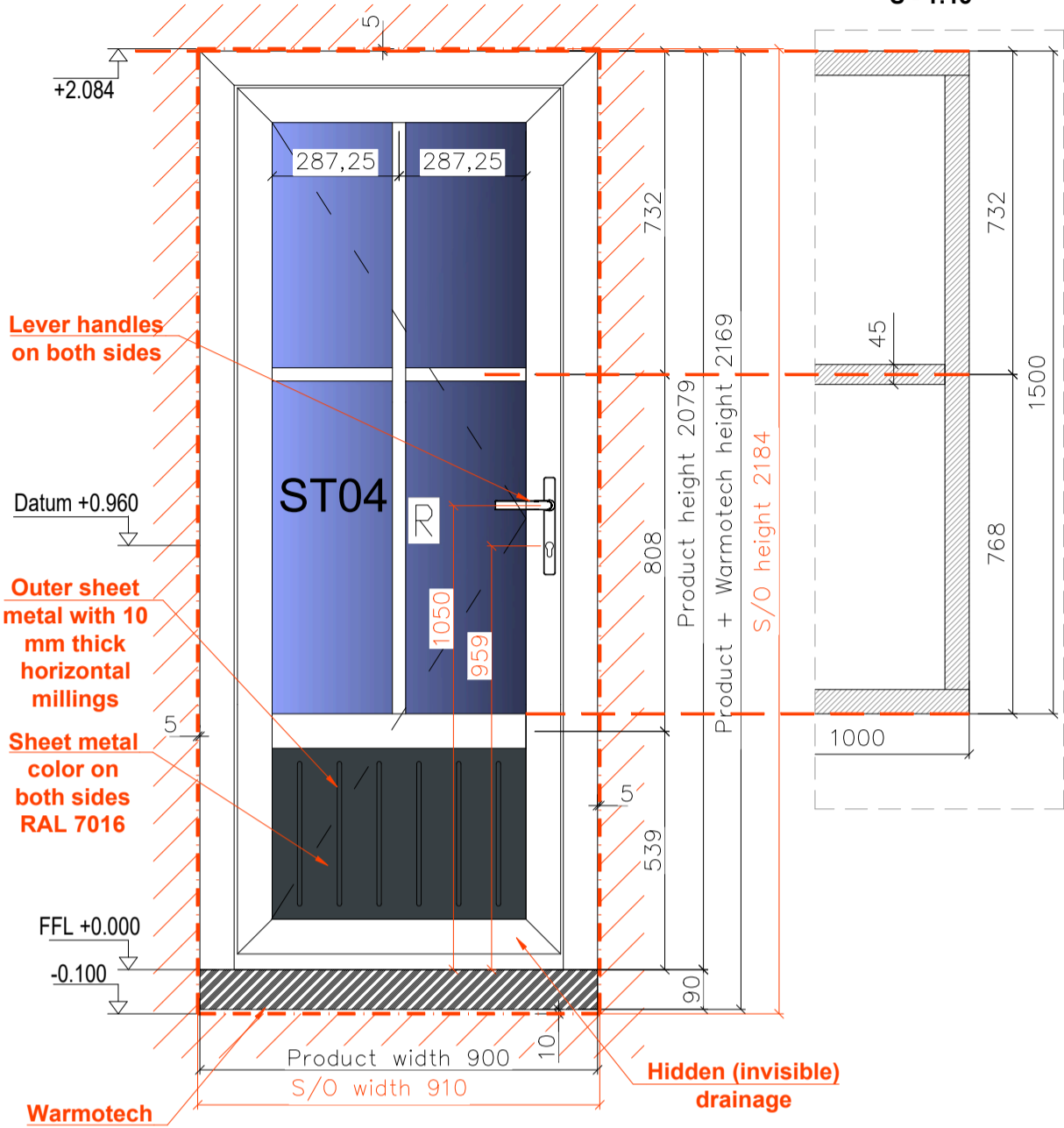
Responsible department	Project manager	Prepared	Approved
	Karolis Rimkevičius	Rokas Laurišonis	
UAB „Smart aluminium constructions LT“ Limited liability company Zietelos str. 3, Vilnius, Lithuania LT 03160 e-mail: info@smartalu.lt https://www.smartalu.lt/lt		Document type	Document status
		Architectural drawing	
Project title		Title	Document number
25ALU068KR		Product Pos. GD03	25ALU068KR_GD03_001_A
		Revision/Date	Scale/ Page
		0/2025/07/23	1:12/ 1:5 1/1

GW04

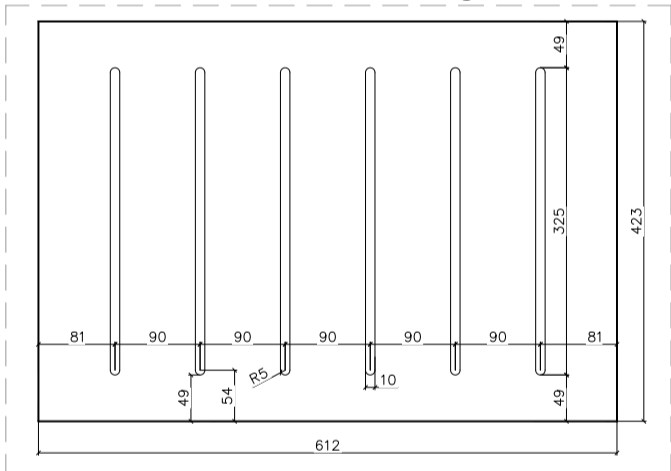
View from outside
S - 1:15

Alignment with a
wooden window
S - 1:15

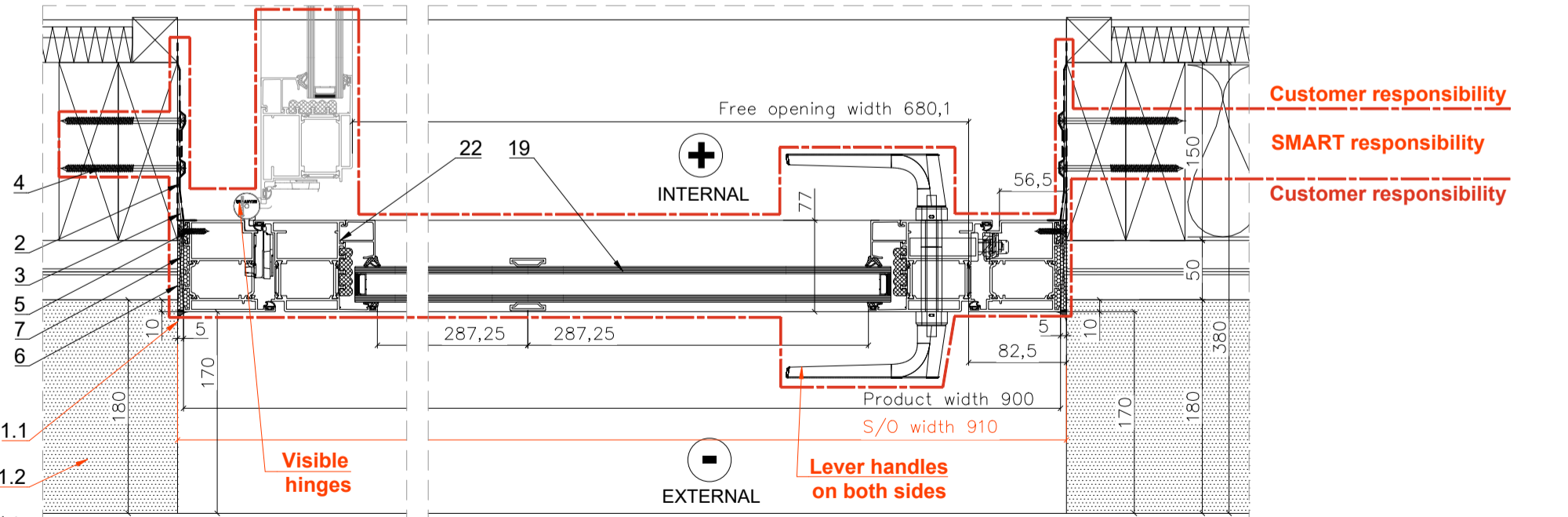
Section A-A S - 1:5



Outer sheet metal milling




Section B-B S - 1:5



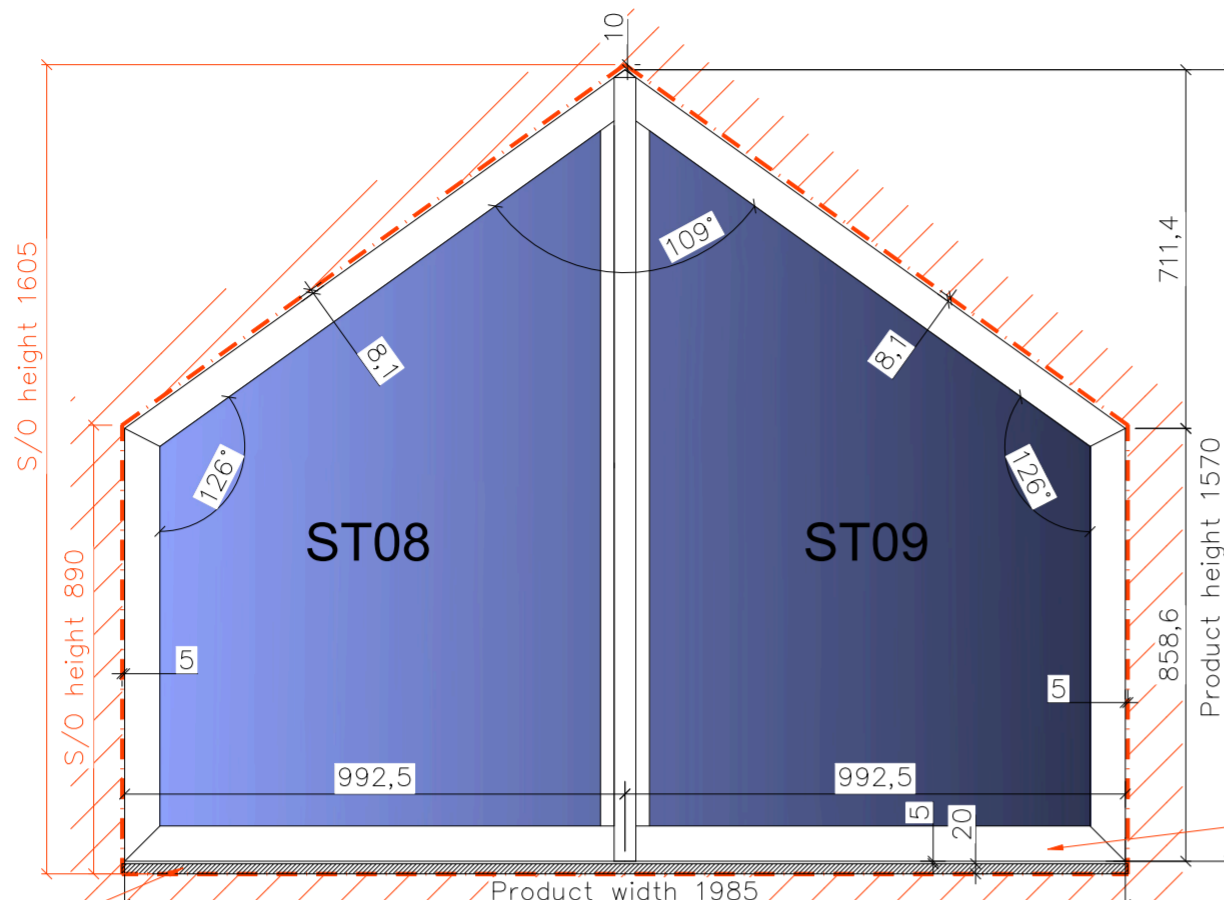
Notes:

1. SMART - Smart aluminium constructions (responsibility line).
2. The gaps that appear between the installation materials (mounting plates, aluminum plates, aluminum and steel brackets) and the sealing tape should be sealed. After mounting use silicone and sealing tape pieces to seal it.
3. Before gluing the internal vapor insulation, it is necessary to cover the base with a primer.
4. Recommendation: in the wood building structure elements, drill holes for fixing screws before fixing the product.
5. After installing (SMART) products, insulation of foundations, walls and other areas is not SMART's responsibility.
6. Fill color - RAL 7016.

Responsible department	Project manager	Prepared	Approved	
	Karolis Rimkevičius	Rokas Laurišonis		
UAB „Smart aluminium constructions LT“ Limited liability company Zietelos str. 3, Vilnius, Lithuania LT 03160 e-mail: info@smartalu.lt https://www.smartalu.lt/lt		Document type	Document status	
		Architectural drawing	Document number	
		Product Pos. GW04	25ALU068KR_GW04_001_A	
Project title	Revision	Date	Scale	Page
25ALU068KR	0	2025/07/23	1:15 1:5	1/1

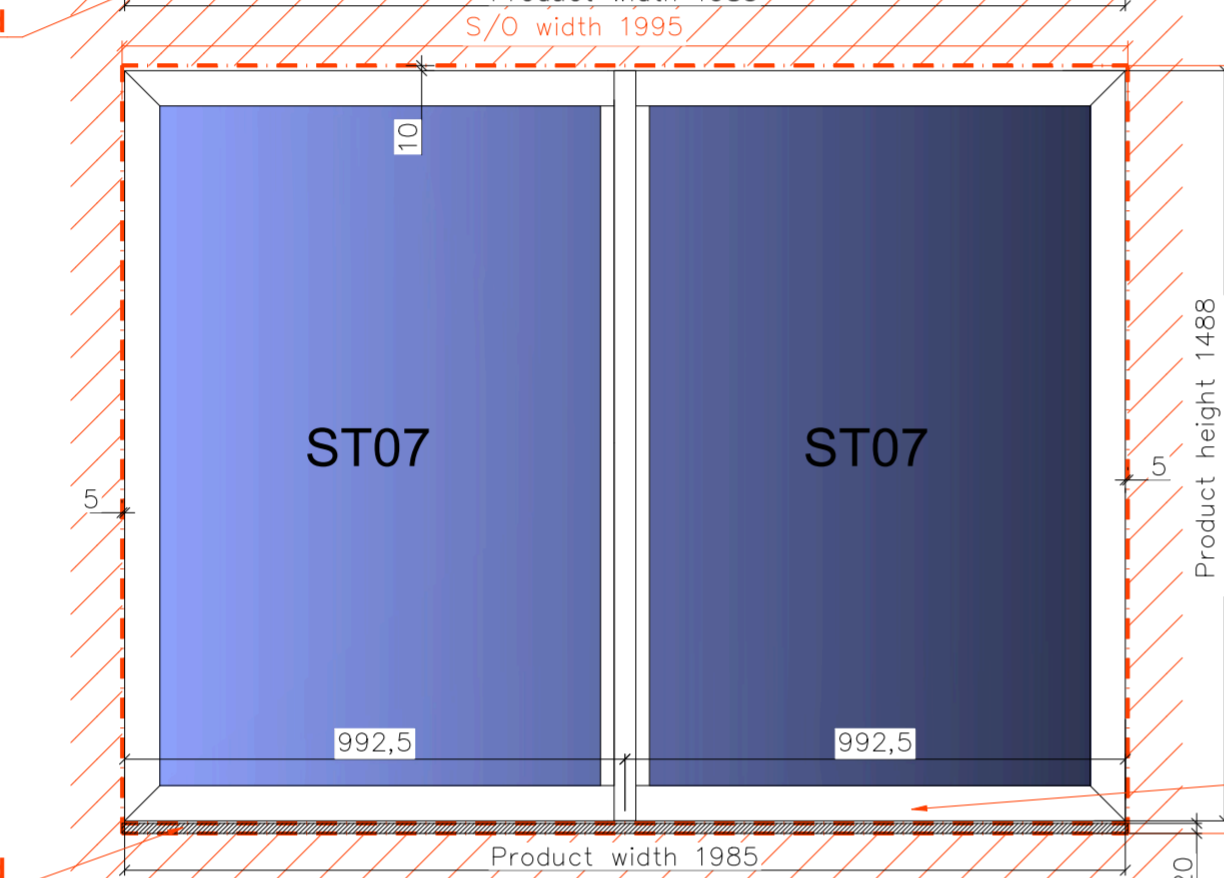
FW10

View from outside
S - 1:15



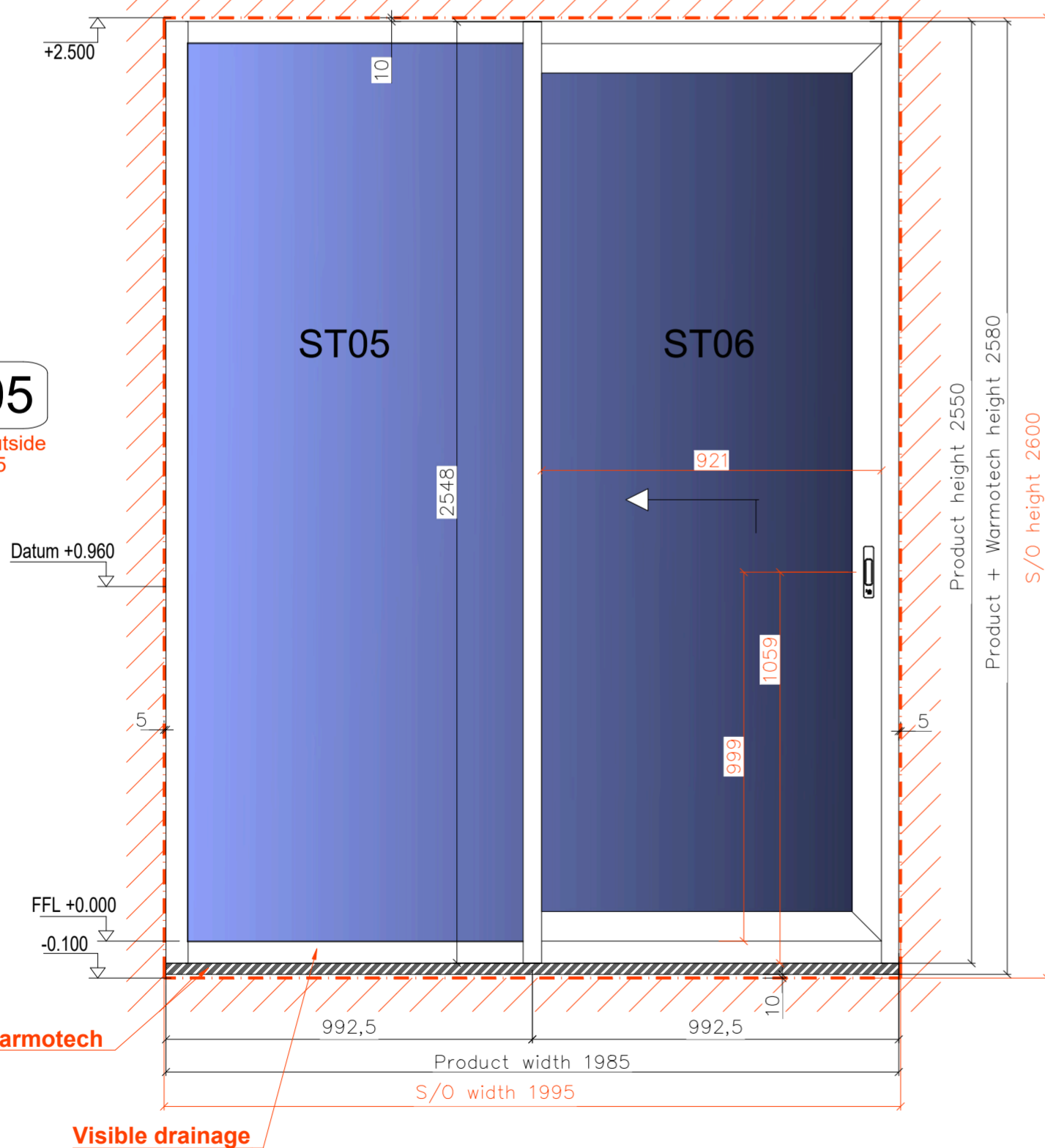
FW09

View from outside
S - 1:15

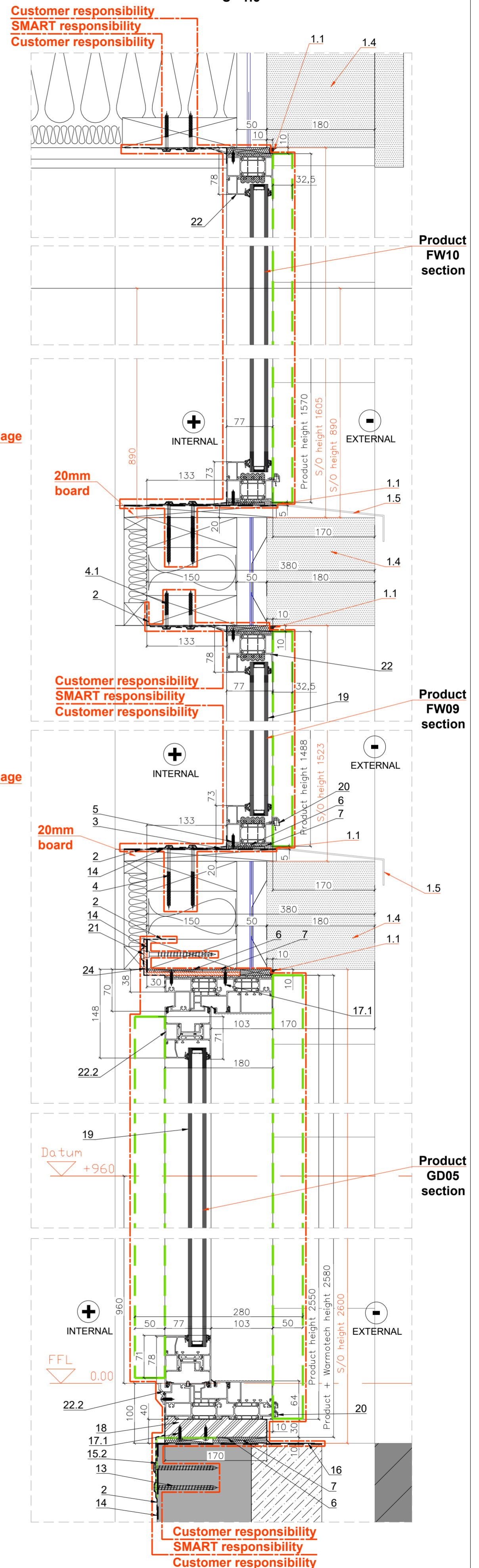


GD05

View from outside
S - 1:15



Section A-A
S - 1:5

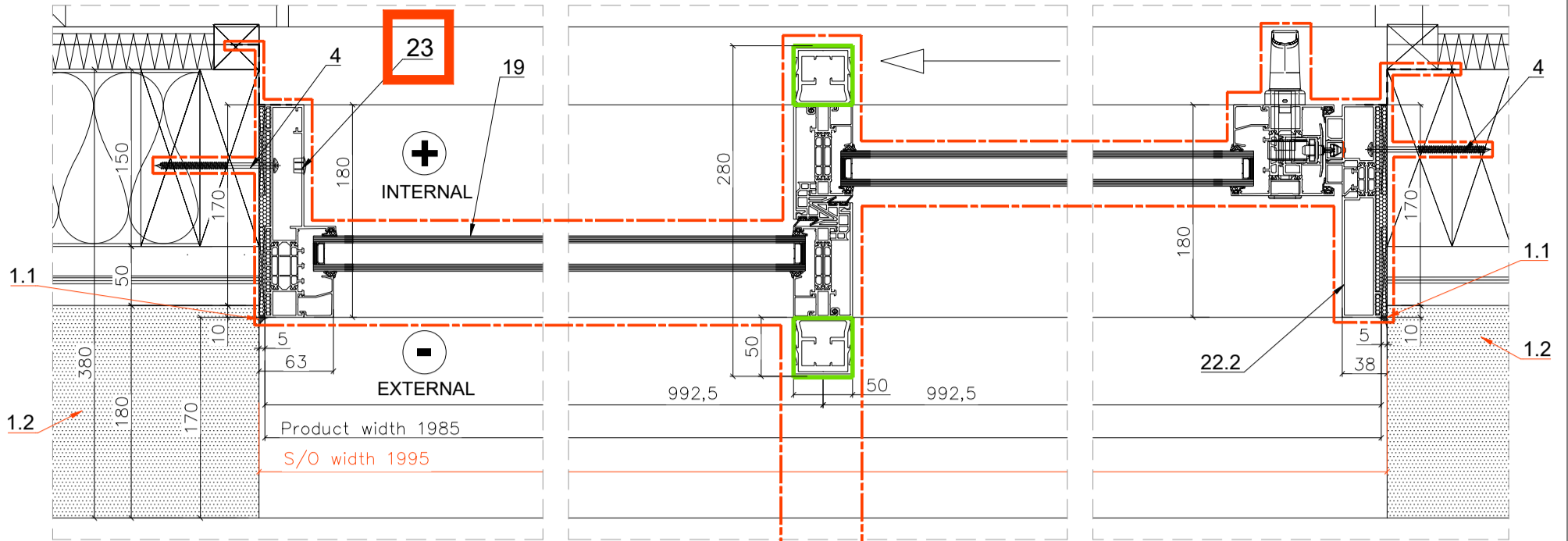


- Notes:
1. SMART - Smart aluminium constructions (responsibility line).
 2. The gaps that appear between the installation materials (mounting plates, aluminum plates, aluminum and steel brackets) and the sealing tape should be sealed. After mounting use silicone and sealing tape pieces to seal it.
 3. Before gluing the internal vapor insulation, it is necessary to cover the base with a primer.
 4. Recommendation: in the wood building structure elements, drill holes for fixing screws before fixing the product.
 5. After installing (SMART) products, insulation of foundations, walls and other areas is not SMART's responsibility.

Responsible department	Project manager	Prepared	Approved	
	Karolis Rimkevičius	Rokas Laurišonis		
UAB „Smart aluminium constructions LT“ Limited liability company Zietelos str. 3, Vilnius, Lithuania LT 03160 e-mail: info@smartalu.lt https://www.smartalu.lt/lt		Document type	Document status	
Project title 25ALU068KR		Architectural drawing	Document number 25ALU068KR GD05-FW09-FW10_001_A	
		Product Pos. GD05; FW09; FW10	Revision/Date 0 2025/07/23	Scale/Date 1:15 1:5
				Page 1/1

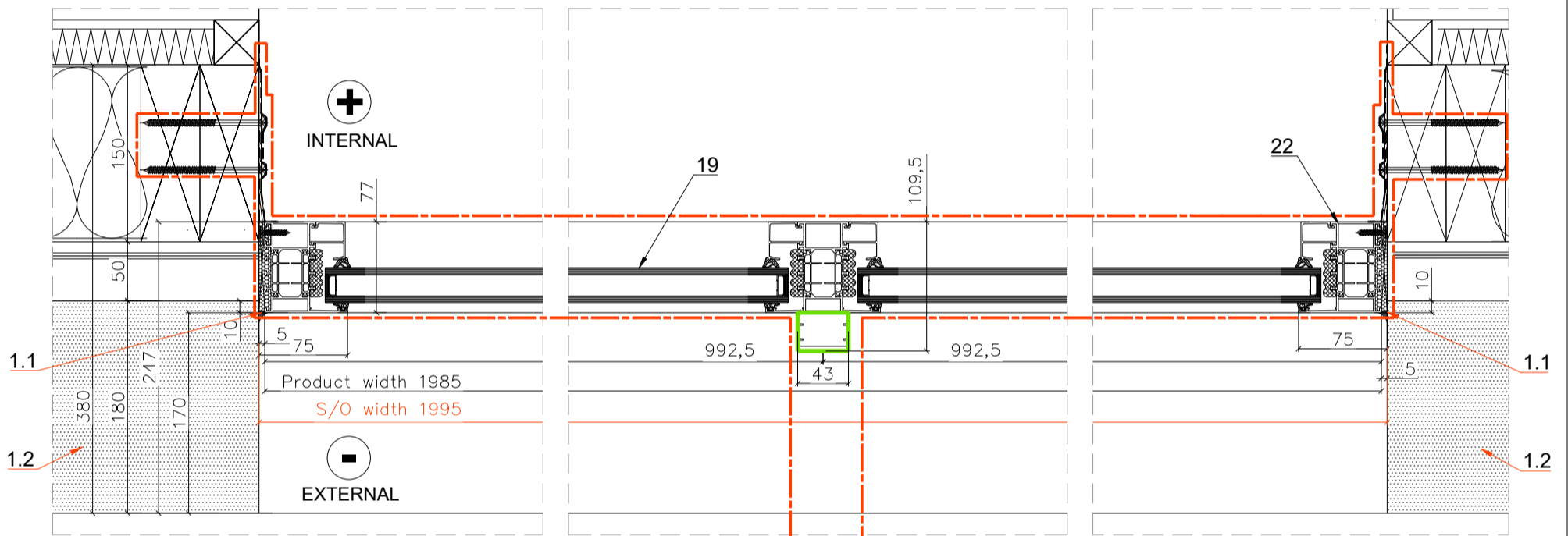
Building: UNIT-2

Product GD05 section B-B S - 1:5



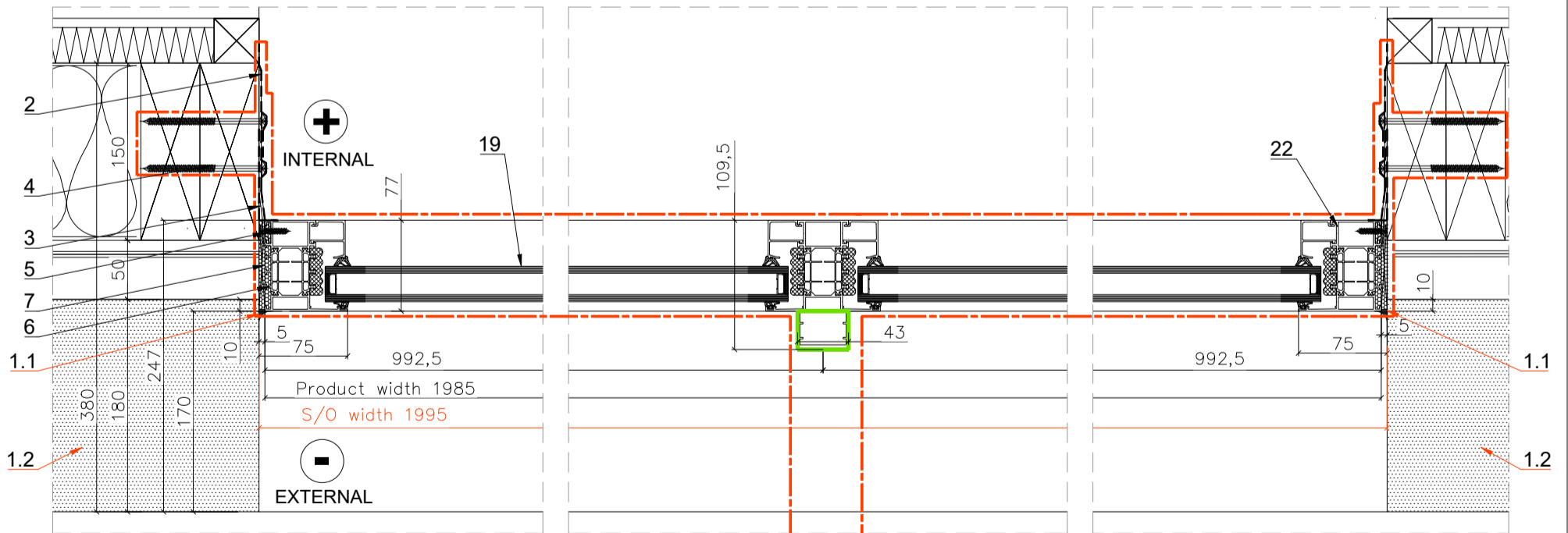
Customer responsibility
SMART responsibility
Customer responsibility

Product FW09 section C-C S - 1:5



Customer responsibility
SMART responsibility
Customer responsibility

Product FW10 section D-D S - 1:5



Customer responsibility
SMART responsibility
Customer responsibility

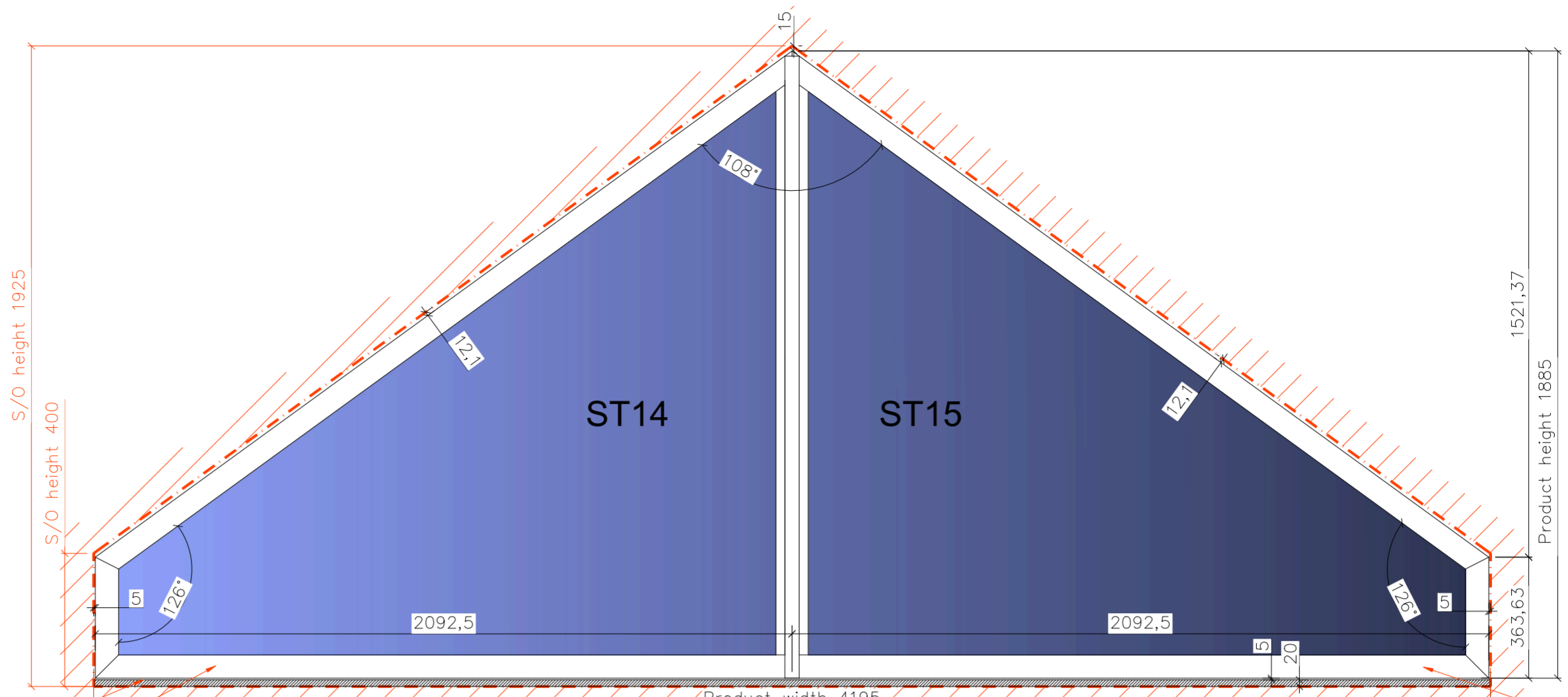
Notes:

1. SMART - Smart aluminium constructions (responsibility line).
2. The gaps that appear between the installation materials (mounting plates, aluminum plates, aluminum and steel brackets) and the sealing tape should be sealed. After mounting use silicone and sealing tape pieces to seal it.
3. Before gluing the internal vapor insulation, it is necessary to cover the base with a primer.
4. Recommendation: in the wood building structure elements, drill holes for fixing screws before fixing the product.
5. After installing (SMART) products, insulation of foundations, walls and other areas is not SMART's responsibility.

Responsible department	Project manager Karolis Rimkevičius	Prepared Rokas Laurišonis	Approved	
UAB „Smart aluminium constructions LT“ Limited liability company Zietelos str. 3, Vilnius, Lithuania LT 03160 e-mail: info@smartalu.lt https://www.smartalu.lt/lt		Document type Architectural drawing	Document status	
Project title 25ALU068KR		Title Product Pos. GD05; FW09; FW10	Document number 25ALU068KR GD05-FW09-FW10_002_A	
		Revision Date 0 2025/07/23	Scale 1:5	Page 1/1

FW08

View from outside
S - 1:15



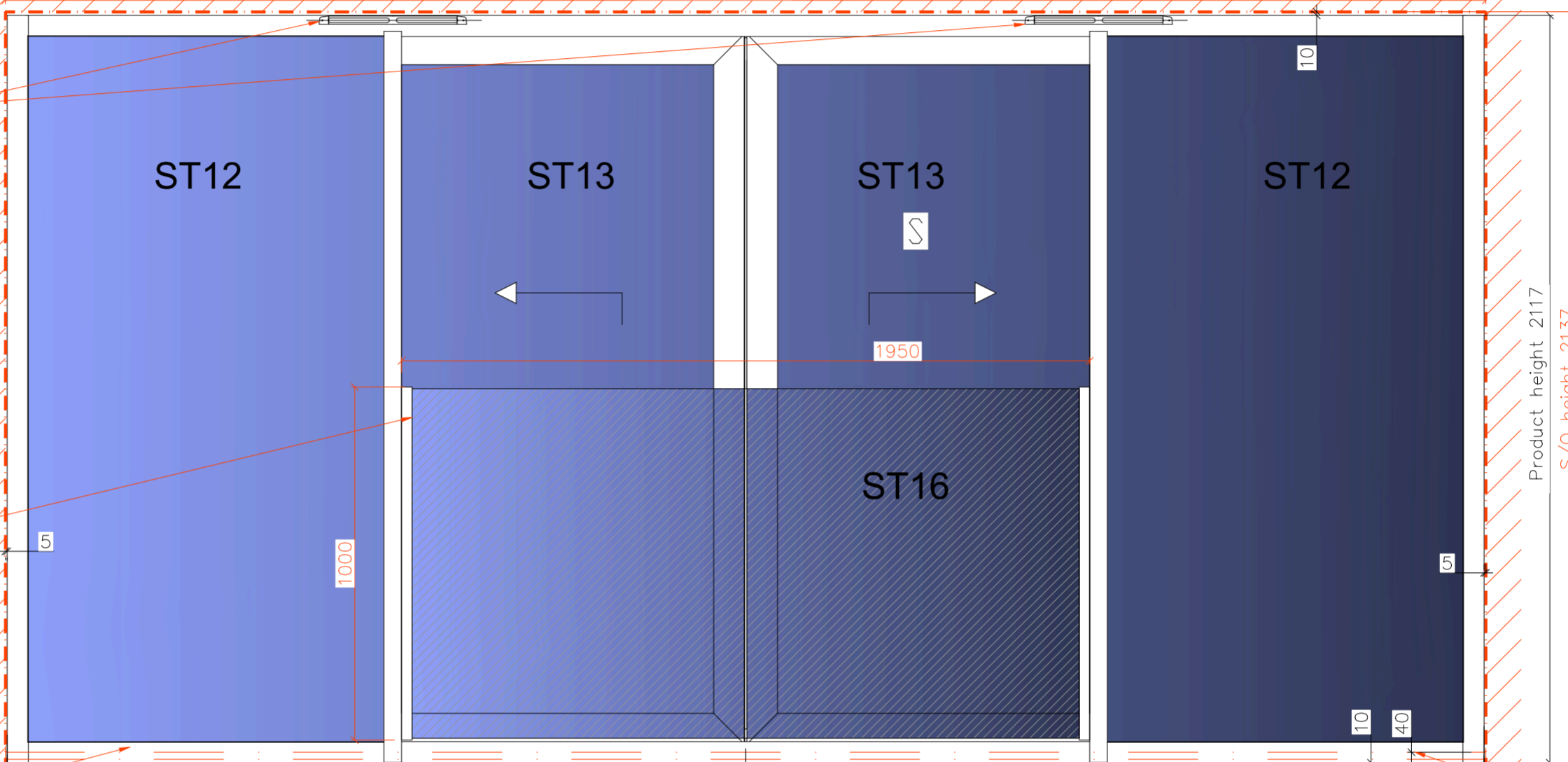
20mm board
Visible drainage

2 x Trickle ventilation (SFX 13 4000EA SF 418 Canopy)

FD01 and belustrade

View from outside
S - 1:15

Belustrade
1000mm height



Visible drainage

Visible drainage

GD04

View from outside
S - 1:15

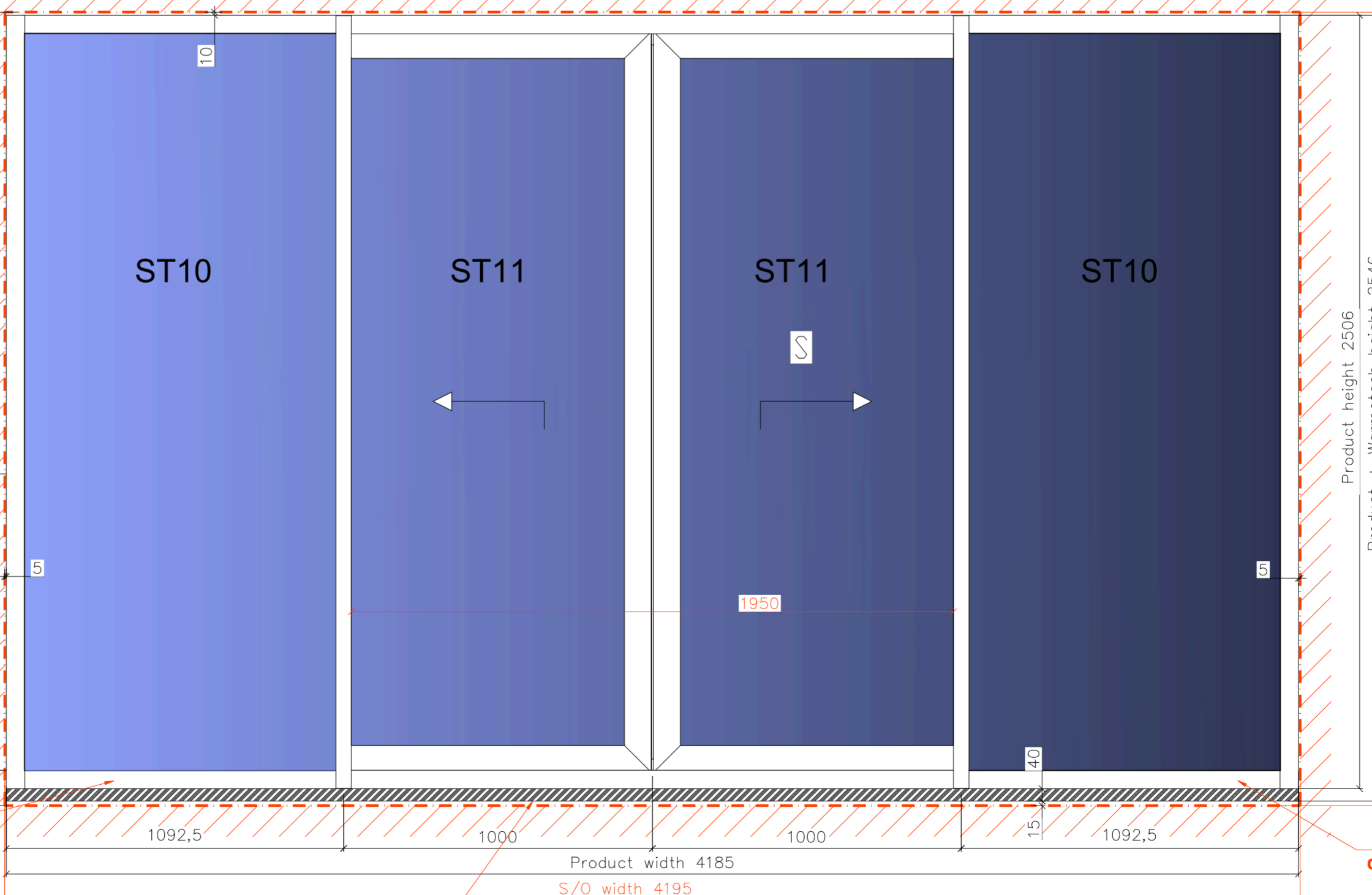
Datum +0.960

FFL +0.000

-0.115

Visible drainage

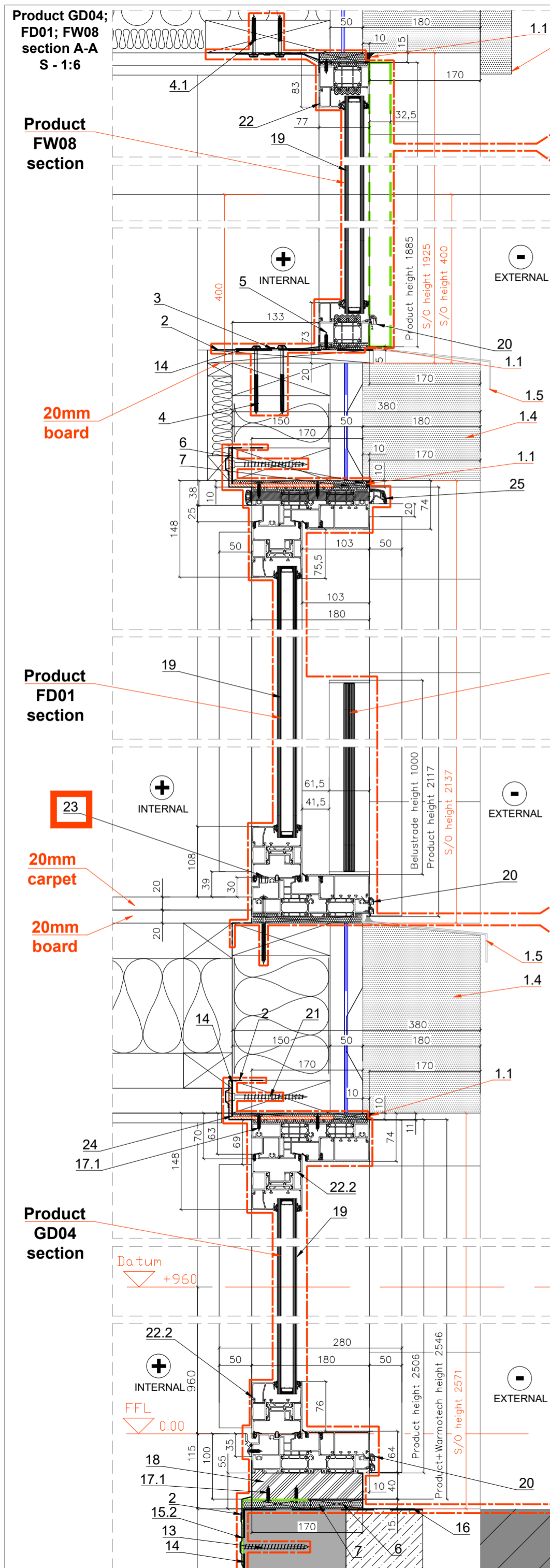
Warmotech



Visible drainage

- Notes:
1. SMART - Smart aluminium constructions (responsibility line).
 2. The gaps that appear between the installation materials (mounting plates, aluminum plates, aluminum and steel brackets) and the sealing tape should be sealed. After mounting use silicone and sealing tape pieces to seal it.
 3. Before gluing the internal vapor insulation, it is necessary to cover the base with a primer.
 4. Recommendation: in the wood building structure elements, drill holes for fixing screws before fixing the product.
 5. After installing (SMART) products, insulation of foundations, walls and other areas is not SMART's responsibility.

Responsible department	Project manager	Prepared	Approved	
	Karolis Rimkevičius	Rokas Laurišonis		
UAB „Smart aluminium constructions LT“ Limited liability company Zietelos str. 3, Vilnius, Lithuania LT 03160 e-mail: info@smartalu.lt https://www.smartalu.lt/lt		Document type	Document status	
		Architectural drawing	Document number	
		Title	25ALU068KR GD04-FD01-FW08_001_A	
Product title	Product Pos.	Revision/Date	Scale	Page
25ALU068KR	GD04; FD01; FW08	0 / 2025/07/23	1:15	1/1



Product GD04; FD01; FW08 section A-A S - 1:6

Product FW08 section

Product FD01 section

Product GD04 section

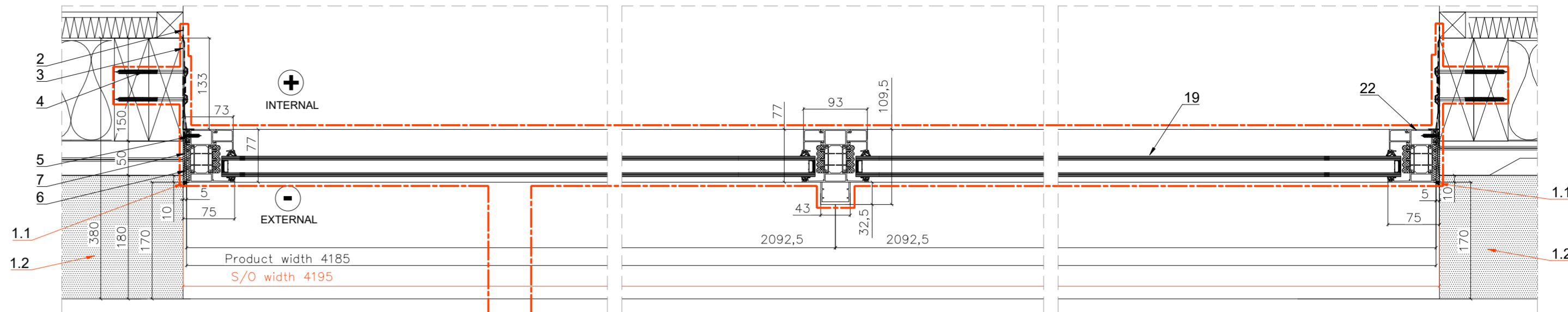
Customer responsibility
SMART responsibility
Customer responsibility

Belustrade 1000mm height and 1950mm width

Customer responsibility
SMART responsibility
Customer responsibility

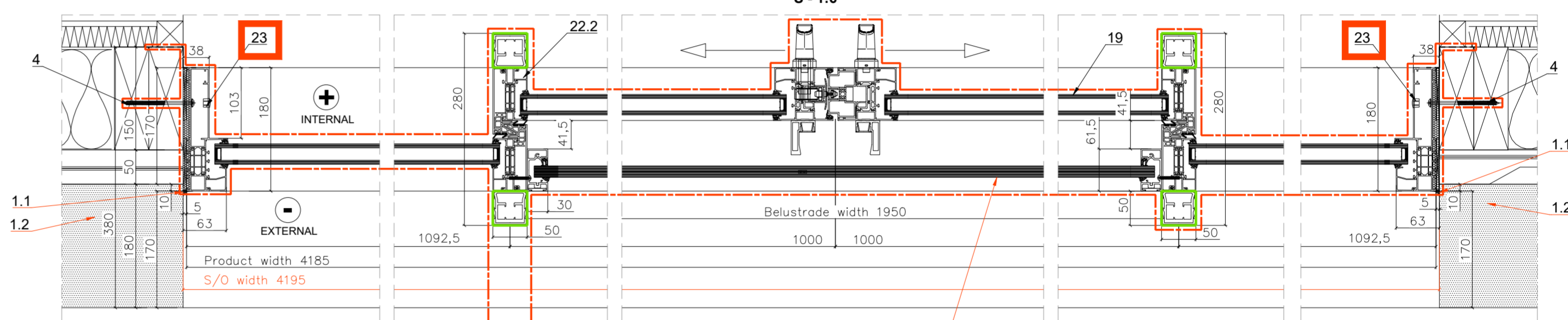
Customer responsibility
SMART responsibility
Customer responsibility

Product FW08 section D-D S - 1:6



Customer responsibility
SMART responsibility
Customer responsibility

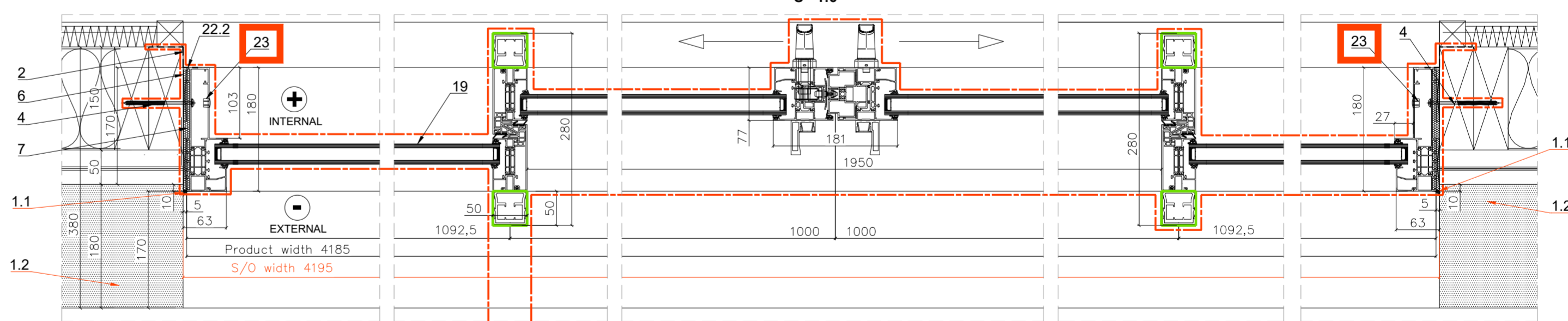
Product FD01 section C-C S - 1:6



Customer responsibility
SMART responsibility
Customer responsibility

Belustrade 1000mm height and 1950mm width

Product GD04 section B-B S - 1:6



Customer responsibility
SMART responsibility
Customer responsibility

- Notes:
1. SMART - Smart aluminium constructions (responsibility line).
 2. The gaps that appear between the installation materials (mounting plates, aluminum plates, aluminum and steel brackets) and the sealing tape should be sealed. After mounting use silicone and sealing tape pieces to seal it.
 3. Before gluing the internal vapor insulation, it is necessary to cover the base with a primer.
 4. Recommendation: in the wood building structure elements, drill holes for fixing screws before fixing the product.
 5. After installing (SMART) products, insulation of foundations, walls and other areas is not SMART's responsibility.

Responsible department	Project manager Karolis Rimkevičius	Prepared Rokas Laurišonis	Approved
UAB „Smart aluminium constructions LT“ Limited liability company Zietelos str. 3, Vilnius, Lithuania LT 03160 e-mail: info@smartalu.lt https://www.smartalu.lt/lt		Document type Architectural drawing	Document status
Project title 25ALU068KR		Title Product Pos. GD04; FD01; FW08	Document number 25ALU068KR GD04-FD01-FW08_002_A
		Revision/Date 0 2025/07/23	Scale/ Page 1:6 1/1