



CP INTERIORS

QUOTE

To: Rob Panelli
Parkview Villa
25 Pierson Road
St Helier
JE2 3PD

Job Number: SO16825 Q1
Customer Reference:
Bedroom Curtains

Quote Date: Friday 11 Jul 2025
Deposit required: £ 1,323.77
Your Contact: Tamara

Our Price Promise to you
We are so confident our pricing is competitive, that we will beat any written quotation for equivalent product by 5%

To supply and fit unless otherwise stated.

Location	Product	Description	Qty	Price
Bedroom	Curtain Making	Hand finished single curtain, with a single pleat header and blackout lining. 10% applied to price.	1	£ 1,300.50
Bedroom	Fabric	8.5m of Edmund Bell Dimout Duo <i>Verus Storm 897</i> in a colour of your choice @£58 per metre. 15% applied to price.	1 ✓	£ 419.05 <i>722</i> <i>613</i>
Bedroom	Curtain Pole / Track	Silent Gliss 30mm Metropole (SG7610) in a Band A colour (Silver, Black, White, Matt White or Ecru), with standard 80mm wave gliders, flush/stud ends and Universal Smart Fix 150mm adjustable face fix brackets (SG11155). 10% discount applied to price.	1	£ 801.90 <i>As per email on 14/07/25</i>

Subject to final measurements

Terms: 50% deposit due with order, 50% on completion

**** To go ahead with this quote please make deposit payment. To pay by card call us on 01534 768141 ****

Direct Deposit - Sort Code: 60-12-03 Account: 66577772

If you have any queries please call us on 01534 768141 or visit our showroom
Rue des Pres Trading Estate St Saviour

** For Our Terms & Conditions of Sale please go to www.cpinteriors.je **

Subtotal	£ 2,521.45
GST	£ 126.08
Total	£ 2,647.53
Paid amount	£ 0.00
Total amount	£ 2,647.53

Please note: This quotation is only valid for acceptance for 7 days. Our estimate does not include any electrical work or additional carpentry work to install the above unless otherwise specified. Please note there is a handling charge on customer own fabric of £7.50 per metre. Due to high costs of labour, pre-arranged missed fitting appointments will be charged on a time-wasted basis. Settlement is due on completion of works and an administration charge of £25 will be added per month if unpaid within 30 days. We reserve the right to charge for design, advice and liaison work carried out should an order not be placed. Goods remain the property of CP Interiors until full settlement is received. Should payment not be received we reserve the right to attend premises during working hours to remove goods and not be required to make good. Our full terms and conditions apply and are available on request.



CP INTERIORS

QUOTE

To:
 Rob Panelli
 Parkview Villa
 25 Pierson Road
 St Helier
 JE2 3PD

Job Number: SO16593 Q2
Customer Reference:
 Music Room

Quote Date: Wednesday 09 Jul 2025
Deposit required: £ 1,619.19
Your Contact: Tamara

Our Price Promise to you
 We are so confident our pricing is competitive, that we will beat any written quotation for equivalent product by 5%

To supply and fit unless otherwise stated.

Location	Product	Description	Qty	Price
		OPTION 2 - Revised quote with single pleat, blackout lining and selected fabric		
Music Room	Curtain Making	Hand finished single curtain, with a single pleat header and blackout lining. 10% discount applied to price.	1	£ 1,300.50
Music Room	Fabric	22m of JAB Lennox in a colour of your choice @£52.50 per metre. 15% discount on fabric applied to price.	1	£ 981.75
Music Room	Curtain Pole / Track	Silent Gliss 30mm Metropole (SG7610) in a Band A colour (Silver, Black, White, Matt White or Ecru), with standard 80mm wave gliders, flush/stud ends and Universal Smart Fix 150mm adjustable face fix brackets (SG11155). 10% discount applied to price.	1	£ 801.90

1-6847-060 ✓
25m

Ecru track
 confirmed by email on
 14/07/25

Subject to final measurements

Terms: 50% deposit due with order, 50% on completion

**** To go ahead with this quote please make deposit payment. To pay by card call us on 01534 768141 ****

Direct Deposit - Sort Code: 60-12-03 Account: 66577772

If you have any queries please call us on 01534 768141 or visit our showroom
 Rue des Pres Trading Estate St Saviour

**** For Our Terms & Conditions of Sale please go to www.cpinteriors.je ****

Subtotal	£ 3,084.15
GST	£ 154.22
Total	£ 3,238.37
Paid amount	£ 0.00
Total amount	£ 3,238.37

Please note: This quotation is only valid for acceptance for 7 days. Our estimate does not include any electrical work or additional carpentry work to install the above unless otherwise specified. Please note there is a handling charge on customer own fabric of £7.50 per metre. Due to high costs of labour, pre-arranged missed fitting appointments will be charged on a time-wasted basis. Settlement is due on completion of works and an administration charge of £25 will be added per month if unpaid within 30 days. We reserve the right to charge for design, advice and liaison work carried out should an order not be placed. Goods remain the property of CP Interiors until full settlement is received. Should payment not be received we reserve the right to attend premises during working hours to remove goods and not be required to make good. Our full terms and conditions apply and are available on request.

CURTAIN ORDER FORM WEBSITE

COMPANY CP Interiors	CUSTOMER: Panelli	ORDER REFERENCE: SO16593Q2	CONTACT NAME: Tamara
--------------------------------	-----------------------------	--------------------------------------	--------------------------------

FABRIC DETAILS: JAB Lennox 1-6847-060	FABRIC WIDTH: 140cm	FABRIC REPEAT: N/A	QUANTITY: 25m	RAILROAD:
---	-------------------------------	------------------------------	-------------------------	------------------

COLOUR OF LINING IVORY OR ALMOND		
---	--	--

DATE : 05/08/25	PC PREMIUM LINING:	PC STANDARD LINING:	PC BLACKOUT LINING: YES	PC INTERLINING:	PC SATIN FLEECE LINING:
---------------------------	---------------------------	----------------------------	-----------------------------------	------------------------	--------------------------------

TRIM/BRAID /BORDER :	BORDER SIZE:	TOP:	BOTTOM:	LEADING EDGE:	RTN EDGE:
-----------------------------	---------------------	-------------	----------------	----------------------	------------------

ALL MEASUREMENTS MUST BE IN METRIC		PAIR 1	PAIR 2	PAIR 3
PAIR				
SINGLE		Music Room LH		
WIDTHS PER CURTAIN				
OVERALL DROP		2810mm		
HOOK HEIGHT EYE DROP				
TRACK SIZE		4740mm		
OVERLAPS & RETURNS				

ADDITIONAL INFORMATION:
25m of JAB Lennox 1-6847-060. Hand finished single curtain (LH), with single pleat header and blackout lining.

INTERLINED - HANDSEWN			
LINED - HANDSEWN	YES		
LINED - MACHINE			
HEADING PENCIL			
HEADING TRIPLE PINCH			
HEADING DOUBLE PINCH			

DEPTH OF BUCKRAM:	
SINGLE PLEAT & CARTRIDGE PLEAT(CIRCUMFERENCE OF PLEAT IN CM)	
CARTRIDGE FILLED OR UNFILLED	
HEADING WAVE	
INVISIBLE WAVE	

THIS ORDER INCLUDES ON A SEPARATE SHEET (PLEASE TICK APPROPRIATE BOX)	
--	--

CURTAIN ORDER FORM WEBSITE

COMPANY CP Interiors	CUSTOMER: Panelli	ORDER REFERENCE: S016825Q1	CONTACT NAME: Tamara
--------------------------------	-----------------------------	--------------------------------------	--------------------------------

FABRIC DETAILS: Edmund Bell Dimout Venus Storm 897	FABRIC WIDTH: 300cm	FABRIC REPEAT: N/A	QUANTITY: 8.5m	RAILROAD:
--	-------------------------------	------------------------------	--------------------------	------------------

COLOUR OF LINING IVORY OR ALMOND		
---	--	--

DATE : 06/08/25	PC PREMIUM LINING:	PC STANDARD LINING:	PC BLACKOUT LINING: YES	PC INTERLINING:	PC SATIN FLEECE LINING:
---------------------------	---------------------------	----------------------------	-----------------------------------	------------------------	--------------------------------

TRIM/BRAID /BORDER :	BORDER SIZE:	TOP:	BOTTOM:	LEADING EDGE:	RTN EDGE:
-----------------------------	---------------------	-------------	----------------	----------------------	------------------

ALL MEASUREMENTS MUST BE IN METRIC		PAIR 1	PAIR 2	PAIR 3
PAIR				
SINGLE		Bedroom RH		
WIDTHS PER CURTAIN				
OVERALL DROP		2580mm		
HOOK HEIGHT EYE DROP				
TRACK SIZE		4270mm		
OVERLAPS & RETURNS				

ADDITIONAL INFORMATION:
8.5m of Edmund Bell Dimout Venus Storm 897. Hand finished single curtain (RH), with single pleat header and blackout lining.

INTERLINED - HANDSEWN			
LINED - HANDSEWN	YES		
LINED - MACHINE			
HEADING PENCIL			
HEADING TRIPLE PINCH			
HEADING DOUBLE PINCH			
DEPTH OF BUCKRAM:			
SINGLE PLEAT & CARTRIDGE PLEAT(CIRCUMFERENCE OF PLEAT IN CM)			
CARTRIDGE FILLED OR UNFILLED			
HEADING WAVE			
INVISIBLE WAVE			

THIS ORDER INCLUDES ON A SEPARATE SHEET (PLEASE TICK APPROPRIATE BOX)	
--	--

PREMIERCHOICE

MANUFACTURERS OF QUALITY CUSTOM MADE CURTAINS, PELMETS AND BLINDS

CP INTERIORS JERSEY
RUE DES PRES TRADING ESTATE
ST SAVIOUR
JERSEY
JE2 7QN

28 July 2025

Re: 10526 / 4 - SO16593 PANELLI

Dear Customer,

THIS IS AN ESTIMATE ONLY. SHOULD YOU WISH TO PLACE AN ORDER KINDLY SEND A DETAILED WORKSHEET WHERE POSSIBLE USING THE PREMIER CHOICE ORDER FORM TO orders@premierchoice.co.uk

We thank you for your enquiry and we have the pleasure in estimating you as follows:

MUSIC ROOM

1 Curtain Single Pinch Pleat, Hand Finished Lined	£	1,038.30
Rail size of 474cm, Drop of 281cm, Overall rail size: 474cm, 8 Widths in each		
Making:	8	Widths
Fabric: 00cm pattern repeat	24.9	mts
Lining: Blackout Lining	24.9	mts

BEDROOM

1 Curtain Single Pinch Pleat, Hand Finished Lined	£	980.20
Rail size of 427cm, Drop of 258cm, Overall rail size: 427cm, 7 Widths in each		
Making:	8	Widths
Fabric: 00cm pattern repeat	20.2	mts
Lining: Blackout Lining	23.1	mts

8.5 MTRS OF FABRIC BASED ON 300CM WIDE RAILROADED WITH NO PATTERN REPEAT

Others Subtotal:	£	2,018.50
<hr/>		
Total:	£	2,018.50

Any additional work/material, not mentioned in the above estimate, will be invoiced for. Please note all Velvet fabrics are subject to 10% surcharge as per price list.

THIS IS AN ESTIMATE ONLY.

SHOULD YOU WISH TO PLACE AN ORDER KINDLY SEND A DETAILED WORKSHEET WHERE POSSIBLE USING THE PREMIERCHOICE ORDER FORM.

ALL EMAILED ORDERS PLEASE EMAIL TO ORDERS@PREMIERCHOICE.CO.UK
PLEASE QUOTE ESTIMATE NUMBER SUPPLIED.

Lead Times are subject to availability.

Assuring you of our best attention at all times.

E.& O.E

Yours Faithfully
Sally Waddilove
Premierchoice Ltd

Order Confirmation



Silent Gliss Limited
 Pyramid Business Park, Poorhole Lane
 Broadstairs, Kent, CT10 2PT, England
 01843 863571.
 info@silentgliss.co.uk
 www.silentgliss.co.uk

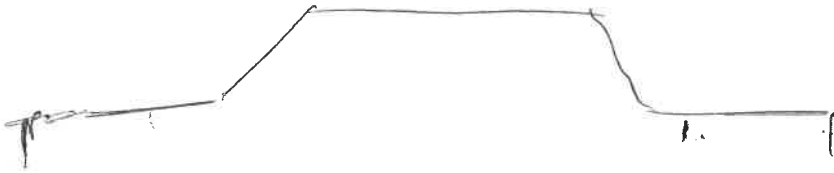


Silent Gliss Order No: 0983421/1
Customer Reference: SO16825/6593
Account No: 0028823
Order Date: 12/08/2025
Anticipated Despatch Date: 19/08/2025
Carrier Shipping Goods: COLLECT
Carrier Service: COLLECTED
Internal Contact: Sally Brown

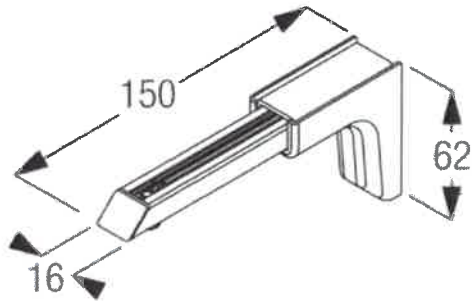
Invoice address:
 C P Interiors
 Rue des Pres Trading Estate
 Longueville
 St Saviour, Jersey
 EORI: GB013519254000
 JE2 7QN

Delivery address:
 C P Interiors
 Rue des Pres Trading Estate
 Longueville
 St Saviour
 Jersey INCOTERMS DAP
 JE2 7QN

Order Details	Qty	Net Value (GBP)
<u>Order Comments</u>		
SO16825Q1 & SO16593Q2 PANELLI		
7610 A S Length : 4270.000M 30MM SILVER HAND DRAWN ASSEMBLED SYSTEM * with STUD END CAP SO16725 - BEDROOM Value in GBP	1.00	575.28
Discount @ 50.000% & .000%	1.00	287.64-
Net in GBP 287.64		
7610 A EC Length : 4740.000M 30MM ECRU HAND DRAWN ASSEMBLED SYSTEM * with STUD END CAP SO16593 - MUSIC ROOM Value in GBP	1.00	640.01
Discount @ 50.000% & .000%	1.00	320.01-
Net in GBP 320.00		
<i>Sally confirmed roller gliders added (email 15/08/25)</i>		
Total (Ex. VAT):		£607.64



SG11155



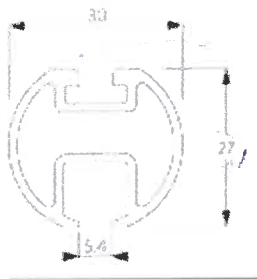
*Difference in looks
lowes*



The SG 11155 (150mm) and SG 11156 (200mm) Universal Smart Fix Brackets are also a versatile solution for double systems to accommodate layered curtains. These brackets can accommodate two metropoles, or a metropole combined with a standard Silent Gliss curtain track.

As pictured above, Metropole systems attach using the standard ceiling fix plate SG 6151. Standard curtain tracks attach using a twist clamp. Double systems are fitted with the extension arm channel facing downwards to accommodate the 2nd fixing track. Our technical documents are in the process of being updated. in the meantime for more information contact Silent Gliss.

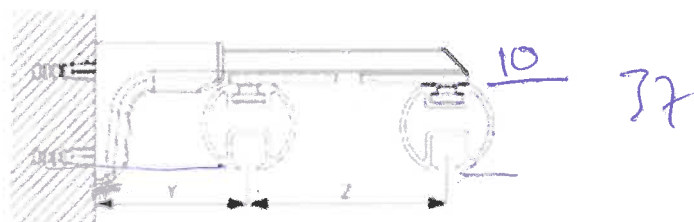
Prices for this bracket option are in the 2024 Price List. Images are available to on our online image bank, password required - for access email samshervill@silentgliss.co.uk.



SG 6103p

Profile

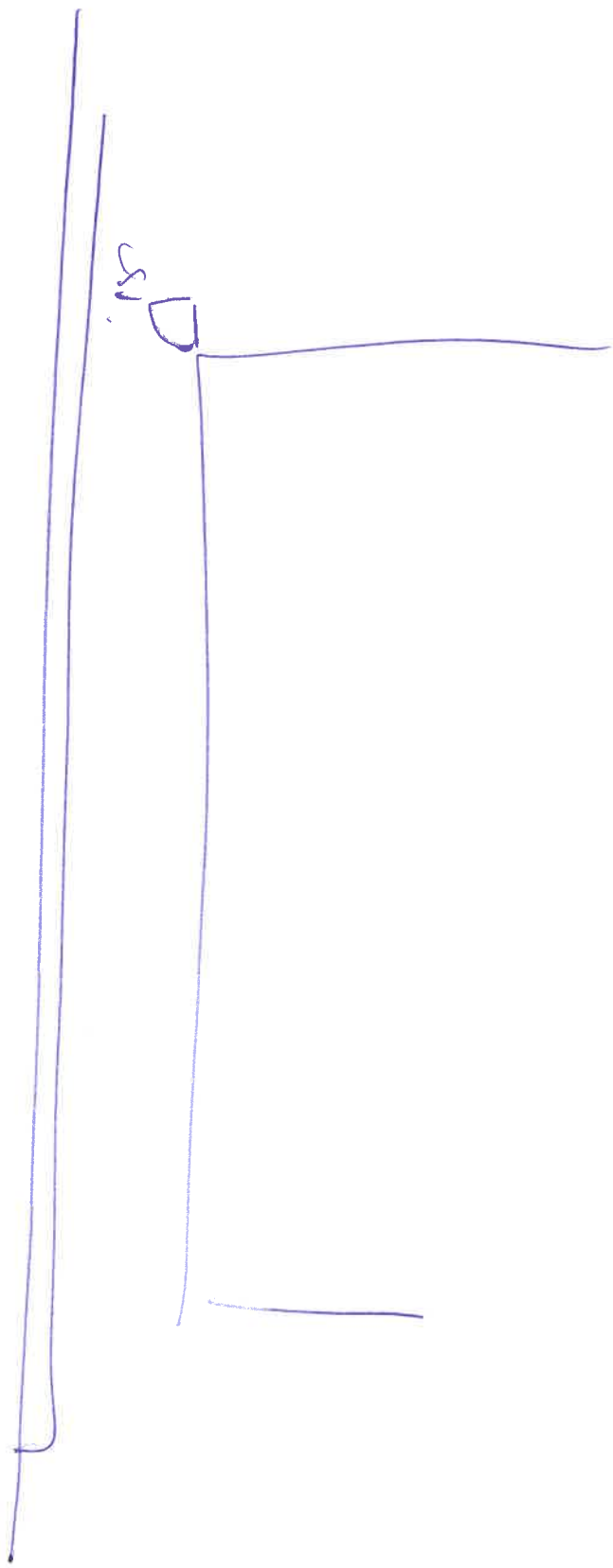
Radius: >25 cm



Double System:

Universal Smart Fix SG 11155 - SG 11156 and SG 6151:

Screw SG 11127 (M4x10) and nut SG 11148 needed





**Edmund
Bell**

Order Confirmation

CP INTERIORS
RUE DES PRES TRADING ESTATE
RUE DES PRES TRADING ESTATE
ST SAVIOUR
JERSEY
JE2 7QN

Deliver To:

PREMIER CHOICE
3-5 ALGOES WAY
WISBECH
PE13 2TQ

Customer Account		Order Date		Order No		Currency		
C01412		29/07/25		1157805		Sterling		
Your Order Reference			Contact Name			Delivery Terms		
SO16825 PANELLI			Jasmine					
Product	Description	Quantity	Unit	Price	Value	Desp		
6905/897	VENUS 300CM STORM FR DIMOUT Customer Ref : ORDER	8.50	Mts	13.03	110.76	29/07		
<p>Terms 30 DAYS DATE OF INVOICE</p> <p>CONDITIONS:</p> <ol style="list-style-type: none"> 1. Unless otherwise stated, prices are valid for 90 days or until the end of the current year if this is sooner. 2. Prices quoted are valid for the quantities listed: any smaller requirements may not qualify for the same pricing. 3. Quotes are valid for a single shipment unless otherwise noted. Additional fees may apply for multiple shipments. 4. All prices in the currency as noted. Edmund Bell & Co Ltd reserves the right to alter quotations in the event of significant exchange rate changes. 5. Unless otherwise explicitly agreed, Edmund Bell & Co Ltd retains the right not to release for shipment any order including goods quoted for herein if other invoices on your trading account with us are in contravention of their associated credit terms. 6. Carriage terms: EXW Rochdale, UK - Incoterms 2010, unless otherwise noted. Carriage transit times are approximate and not within Edmund Bell & Co Ltd's control. Carriage transit times are in addition to any lead times before dispatch disclosed in other correspondence. 7. Any special request (e.g. test reports, customs certification, first article inspections, special packaging) that were not noted on the quote request may incur an additional fee. 8. If goods are described as "special" or "custom" and produced to order, the final quantity and value invoiced may vary by a tolerance of 10% more or less. 9. Edmund Bell will make every effort to accommodate any delays to the customer's ability to accept delivery of goods. However, we reserve the right to begin charging storage fees from 2 calendar weeks after the originally confirmed dispatch date or the actual availability of goods where this is later. Storage fees will be charged at a rate of £0.05 per linear metre per calendar week. Edmund Bell further reserves the right to invoice for full payment and dispose of the goods in any way it sees fit unless delivery is taken immediately if goods allocated to a confirmed customer sales order remain uninvoiced 3 calendar months after the originally confirmed dispatch date or the actual availability of goods where this is later. 								

Edmund Bell & Co Ltd. Unit E1(a) Kingsway Business Park, John Boyd Dunlop Drive, Rochdale, OL16 4NG United Kingdom
Sales: +44 (0) 1706 717070 Fax: +44 (0) 1706 717071 Admin: +44 (0) 1706 717072 Fax: +44 (0) 1706 717073
Email: sales@edmundbell.com Web: www.edmundbell.com
Registered in England No. 06582047 VAT: GB 927 3012 44 EORI: GB927301244000

Edmund Bell's terms and conditions which can be found here: <https://www.edmundbell.com/terms-conditions> are hereby incorporated into and shall apply to this Order and shall apply in place of and prevail over any other terms or conditions contained or referred to in any documentation submitted by the customer in correspondence or elsewhere, or implied by trade custom, practice or course of dealing.



**Edmund
Bell**

BARCLAYS S/C: 20-80-90 ACC NO: 33471616
IBAN GB70 BARC 208090 33471616

Totals	8.50		110.76
		Carriage	8.50
		VAT	0.00
		Total Value	119.26

Signed on behalf of Company: _____ Date: _____

Edmund Bell & Co Ltd. Unit E1(a) Kingsway Business Park, John Boyd Dunlop Drive, Rochdale, OL16 4NG United Kingdom
Sales: +44 (0) 1706 717070 Fax: +44 (0) 1706 717071 Admin: +44 (0) 1706 717072 Fax: +44 (0) 1706 717073
Email: sales@edmundbell.com Web: www.edmundbell.com
Registered in England No. 06582047 VAT: GB 927 3012 44 EORI: GB927301244000

Edmund Bell's terms and conditions which can be found here: <https://www.edmundbell.com/terms-conditions> are hereby incorporated into and shall apply to this Order and shall apply in place of and prevail over any other terms or conditions contained or referred to in any documentation submitted by the customer in correspondence or elsewhere, or implied by trade custom, practice or course of dealing.

PREMIERCHOICE

MANUFACTURERS OF QUALITY CUSTOM MADE CURTAINS, PELMETS AND BLINDS

CP INTERIORS JERSEY
RUE DES PRES TRADING ESTATE
ST SAVIOUR
JERSEY
JE2 7QN

28 May 2025

Re: 10526 / 2 - PANELLI SO16593 REVISED QUOTE

Dear Customer,

THIS IS AN ESTIMATE ONLY. SHOULD YOU WISH TO PLACE AN ORDER KINDLY SEND A DETAILED WORKSHEET WHERE POSSIBLE USING THE PREMIER CHOICE ORDER FORM TO orders@premierchoice.co.uk

We thank you for your enquiry and we have the pleasure in estimating you as follows:

MUSIC ROOM

1 Curtain Single Pinch Pleat, Hand Finished Lined

Rail size of 400cm, Drop of 280cm, Overall rail size: 400cm, 7 Widths in each

Making:	7	Widths	@	£62.87	=	£440.09
Fabric: ROMO BLACK EDITION LOMBARDO VERMILLION 109	22.9	mts	@	£0.00	=	£0.00
Lining: Blackout Lining	21.7	mts	@	£4.33	=	£93.96
Velvet surcharge (Bottom)						£44.01

£ 578.06

MUSIC ROOM

1 Curtain Single Pinch Pleat, Hand Finished Lined

Rail size of 400cm, Drop of 260cm, Overall rail size: 400cm, 7 Widths in each

Making:	7	Widths	@	£62.87	=	£440.09
Fabric: ROMO BLACK EDITION LOMBARDO VERMILLION 109	22.9	mts	@	£0.00	=	£0.00
Lining: Blackout Lining	20.3	mts	@	£4.33	=	£87.90
Velvet surcharge (Bottom)						£44.01

£ 572.00

Others Subtotal: £ 1,150.06

Net: £ 1,150.06

VAT@ 20% : £ 230.01

Total: £ 1,380.07

*15% off fabric
10% off rest*

£1445.15

£1430

PREMIERCHOICE

MANUFACTURERS OF QUALITY CUSTOM MADE CURTAINS, PELMETS AND BLINDS

CP INTERIORS JERSEY
RUE DES PRES TRADING ESTATE
ST SAVIOUR
JERSEY
JE2 7QN

08 July 2025

Re: 10526 / 3 - SO16593 PANELLI

Dear Customer,

THIS IS AN ESTIMATE ONLY. SHOULD YOU WISH TO PLACE AN ORDER KINDLY SEND A DETAILED WORKSHEET WHERE POSSIBLE USING THE PREMIER CHOICE ORDER FORM TO orders@premierchoice.co.uk

We thank you for your enquiry and we have the pleasure in estimating you as follows:

MUSIC ROOM

1 Curtain Single Pinch Pleat, Hand Finished Lined

Rail size of 400cm, Drop of 280cm, Overall rail size: 400cm, 7 Widths in each

Making:	7	Widths	@	£62.87	=	£440.09
Fabric: 00cm pattern repeat	21.7	mts	@	£0.00	=	£0.00
Lining: Blackout Lining	21.7	mts	@	£4.33	=	£93.96
Velvet surcharge (Bottom)						£44.01
7-9 Width Surcharge (Top)						£330.07
						£ 908.13

BEDROOM

1 Curtain Single Pinch Pleat, Hand Finished Lined

Rail size of 400cm, Drop of 260cm, Overall rail size: 400cm, 7 Widths in each

Making:	8	Widths	@	£62.87	=	£502.96
Fabric: 00cm pattern repeat	20.3	mts	@	£0.00	=	£0.00
Lining: Blackout Lining	23.2	mts	@	£4.33	=	£100.46
						£ 603.42

~~8.5 MTRS OF FABRIC BASED ON 300CM WIDE RAILROADED WITH NO PATTERN REPEAT~~

~~Others Subtotal: £ 1,511.55~~

~~Net: £ 1,511.55~~

~~VAT@ 20%: £ 302.31~~

~~Total: £ 1,813.86~~

They will honour price given previously as quoted wrong.

Please refer to 10526/2 for prices.

Any additional work/material, not mentioned in the above estimate, will be invoiced for. Please note all Velvet fabrics are subject to 10% surcharge as per price list.

THIS IS AN ESTIMATE ONLY.

SHOULD YOU WISH TO PLACE AN ORDER KINDLY SEND A DETAILED WORKSHEET WHERE POSSIBLE USING THE PREMIERCHOICE ORDER FORM.

ALL EMAILED ORDERS PLEASE EMAIL TO ORDERS@PREMIERCHOICE.CO.UK
PLEASE QUOTE ESTIMATE NUMBER SUPPLIED.

Lead Times are subject to availability.

Assuring you of our best attention at all times.

E. & O.E

Yours Faithfully
Sally Waddilove
Premierchoice Ltd



CP INTERIORS

- Single pleat } Requested quote
- B/O lining } from PC

QUOTE

To: Rob Panelli
Parkview Villa
25 Pierson Road
St Helier
JE2 3PD

Job Number: SO16593 Q1
Customer Reference:

Quote Date: Tuesday 18 Mar 2025
Deposit required: £ 2,622.90
Your Contact: Tamara

Black Edition Lombardo Vermillion 9039/01 @£193.50 p/m
134cm 109↓ 134↔

Our Price Promise to you
We are so confident our pricing is competitive, that we will beat any written quotation for equivalent product by 5%

To supply and fit unless otherwise stated.

Location	Product	Description	Qty	Price
Music Room	Curtain Making	Hand finished single curtain, with an 80mm wave header. Unlined.	1	£ 1,178.00
	Fabric	10m of a plain double width blackout fabric. Price guide based on Edmund Bell Quantum @£44 per metre.	1	£ 440.00
	Curtain Pole / Track	Silent Gliss 30mm Metropole (SG7610) in a Band A colour (Silver, Black, White, Matt White or Ecru), with standard 80mm wave gliders, flush/stud ends and Universal Smart Fix 150mm adjustable face fix brackets (SG11155).	1	£ 891.00
Bedroom	Curtain Making	Hand finished single curtain, with an 80mm wave header. Unlined.	1	£ 1,178.00
	Fabric	9.5m of a plain double width blackout fabric. Price guide based on Edmund Bell Quantum @£44 per metre.	1	£ 418.00
	Curtain Pole / Track	Silent Gliss 30mm Metropole (SG7610) in a Band A colour (Silver, Black, White, Matt White or Ecru), with standard 80mm wave gliders, flush/stud ends and Universal Smart Fix 150mm adjustable face fix brackets (SG11155).	1	£ 891.00

Requested from PC on 05/03/25
JAB Lenna.
@ 52.50 x velvet x
shimere Dimat w/w
1359/191.
Blackat lined -
B/O lined

Terms: 50% deposit due with order, 50% on completion

** To go ahead with this quote please make deposit payment. To pay by card call us on 01534 768141 **

Direct Deposit - Sort Code: 60-12-03 Account: 66577772

If you have any queries please call us on 01534 768141 or visit our showroom Rue des Pres Trading Estate St Saviour

** For Our Terms & Conditions of Sale please go to www.cpinteriors.je **

Subtotal	£ 4,996.00
GST	£ 249.80
Total	£ 5,245.80
Paid amount	£ 0.00
Total amount	£ 5,245.80

Please note: This quotation is only valid for acceptance for 7 days. Our estimate does not include any electrical work or additional carpentry work to install the above unless otherwise specified. Please note there is a handling charge on customer own fabric of £7.50 per metre. Due to high costs of labour, pre-arranged missed fitting appointments will be charged on a time-wasted basis. Settlement is due on completion of works and an administration charge of £25 will be added per month if unpaid within 30 days. We reserve the right to charge for design, advice and liaison work carried out should an order not be placed. Goods remain the property of CP Interiors until full settlement is received. Should payment not be received we reserve the right to attend premises during working hours to remove goods and not be required to make good. Our full terms and conditions apply and are available on request.

RB



CP INTERIORS

QUOTE

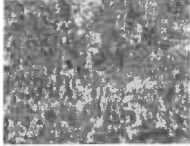
To:
 Rob Panelli
 Parkview Villa
 25 Pierson Road
 St Helier
 JE2 3PD

Job Number: SO16593 Q2
Customer Reference:
 Music Room

Quote Date: Wednesday 28 May 2025
Deposit required: £ 3,089.81
Your Contact: Tamara

Our Price Promise to you
 We are so confident our pricing is competitive, that we will beat any written quotation for equivalent product by 5%

To supply and fit unless otherwise stated.

Location	Product	Description	Qty	Price
		OPTION 2 - Revised quote with single pleat, blackout lining and selected fabric		
Music Room	Curtain Making	Hand finished single curtain, with a single pleat header and blackout lining.	1	£ 1,300.50
		10% discount applied to price.		
		23m of Romo Black Edition Lombardo Vermillion 9039/01 @£193.50 per metre.	1	£ 3,782.93 1050
		15% discount on fabric applied to price.		
	Curtain Pole / Track	Silent Gliss 30mm Metropole (SG7610) in a Band A colour (Silver, Black, White, Matt White or Ecru), with standard 80mm wave gliders, flush/stud ends and Universal Smart Fix 150mm adjustable face fix brackets (SG11155).	1	£ 801.90
		10% discount applied to price.		
		Subject to final measurements		

Terms: 50% deposit due with order, 50% on completion

**** To go ahead with this quote please make deposit payment. To pay by card call us on 01534 768141 ****

Direct Deposit - Sort Code: 60-12-03 Account: 66577772

If you have any queries please call us on 01534 768141 or visit our showroom Rue des Pres Trading Estate St Saviour

**** For Our Terms & Conditions of Sale please go to www.cpinteriors.je ****

Subtotal	£ 5,885.33
GST	£ 294.28
Total	£ 6,179.61
Paid amount	£ 0.00
Total amount	£ 6,179.61

Please note: This quotation is only valid for acceptance for 7 days. Our estimate does not include any electrical work or additional carpentry work to install the above unless otherwise specified. Please note there is a handling charge on customer own fabric of £7.50 per metre. Due to high costs of labour, pre-arranged missed fitting appointments will be charged on a time-wasted basis. Settlement is due on completion of works and an administration charge of £25 will be added per month if unpaid within 30 days. We reserve the right to charge for design, advice and liaison work carried out should an order not be placed. Goods remain the property of CP Interiors until full settlement is received. Should payment not be received we reserve the right to attend premises during working hours to remove goods and not be required to make good. Our full terms and conditions apply and are available on request.



PREMIERCHOICE

MANUFACTURERS OF QUALITY CUSTOM MADE CURTAINS, PELMETS AND BLINDS

CP INTERIORS JERSEY
RUE DES PRES TRADING ESTATE
ST SAVIOUR
JERSEY
JE2 7QN

18 March 2025

Re: 9621 / 1 - SO16593 PANELLI

Dear Customer,

THIS IS AN ESTIMATE ONLY. SHOULD YOU WISH TO PLACE AN ORDER KINDLY SEND A DETAILED WORKSHEET WHERE POSSIBLE USING THE PREMIER CHOICE ORDER FORM TO orders@premierchoice.co.uk

We thank you for your enquiry and we have the pleasure in estimating you as follows:

MUSIC ROOM

1 Curtain Wave, Hand Finished Unlined	£	471.14
Rail size of 400cm, Drop of 280cm, Overall rail size: 400cm, 3 Widths in each		
Making:	7	Widths
Fabric: Wide fabric - 300cm wide, no repeat	9.6	mts

£1178

DUE TO DROP WE ARE UNABLE TO RAILROAD

Bed MUSIC ROOM

1 Curtain Wave, Hand Finished Unlined	£	471.14
Rail size of 400cm, Drop of 260cm, Overall rail size: 400cm, 9.3 Mts in each		
Making:	7	Widths
Fabric: Wide fabric - 300cm wide, no repeat	9.3	mts

£1178

Others Subtotal: £ 942.28

Total: £ 942.28

Any additional work/material, not mentioned in the above estimate, will be invoiced for. Please note all Velvet fabrics are subject to 10% surcharge as per price list.

THIS IS AN ESTIMATE ONLY.

SHOULD YOU WISH TO PLACE AN ORDER KINDLY SEND A DETAILED WORKSHEET WHERE POSSIBLE USING THE PREMIERCHOICE ORDER FORM.

ALL EMAILED ORDERS PLEASE EMAIL TO ORDERS@PREMIERCHOICE.CO.UK
PLEASE QUOTE ESTIMATE NUMBER SUPPLIED.

Lead Times are subject to availability.

Assuring you of our best attention at all times.

E.& O.E

Yours Faithfully
SallyWaddilove
Premierchoice Ltd



CP INTERIORS

QUOTE

To:
Rob Panelli
Parkview Villa
25 Pierson Road
St Helier
JE2 3PD

Job Number: SO16825 Q1
Customer Reference:
Bedroom Curtains

Quote Date: Wednesday 09 Jul 2025
Deposit required: £ 1,600.16
Your Contact: Tamara

Our Price Promise to you
We are so confident our pricing is competitive, that we will beat any written quotation for equivalent product by 5%

To supply and fit unless otherwise stated.

Location	Product	Description	Qty	Price
Bedroom	Curtain Making	Hand finished single curtain, with a single pleat header and blackout lining. 10% applied to price.	1	£ 1,300.50
Bedroom	Fabric	8.5m of ADO Lumiere Dimout 1359/191 @£130.90 per metre. 15% applied to price.	1	£ 945.50
Bedroom	Curtain Pole / Track	Silent Gliss 30mm Metropole (SG7610) in a Band A colour (Silver, Black, White, Matt White or Ecru), with standard 80mm wave gliders, flush/stud ends and Universal Smart Fix 150mm adjustable face fix brackets (SG11155). 10% discount applied to price. *Subject to final measurements*	1	£ 801.90

Terms: 50% deposit due with order, 50% on completion

**** To go ahead with this quote please make deposit payment. To pay by card call us on 01534 768141 ****

Direct Deposit - Sort Code: 60-12-03 Account: 66577772

If you have any queries please call us on 01534 768141 or visit our showroom
Rue des Pres Trading Estate St Saviour

**** For Our Terms & Conditions of Sale please go to www.cpinteriors.je ****

Subtotal	£ 3,047.90
GST	£ 152.41
Total	£ 3,200.31
Paid amount	£ 0.00
Total amount	£ 3,200.31

Please note: This quotation is only valid for acceptance for 7 days. Our estimate does not include any electrical work or additional carpentry work to install the above unless otherwise specified. Please note there is a handling charge on customer own fabric of £7.50 per metre. Due to high costs of labour, pre-arranged missed fitting appointments will be charged on a time-wasted basis. Settlement is due on completion of works and an administration charge of £25 will be added per month if unpaid within 30 days. We reserve the right to charge for design, advice and liaison work carried out should an order not be placed. Goods remain the property of CP Interiors until full settlement is received. Should payment not be received we reserve the right to attend premises during working hours to remove goods and not be required to make good. Our full terms and conditions apply and are available on request.

SO16593 PANELLI

METROPOLE 30mm SAND A 80mm wave

FLUSH/STUD ENDS

Music Room 4000mm

$$£344.93 - 40\% \times 2.5 = £517.40$$

Standard Wave 80mm ~~£64.66~~ - 40% x 2.5 = £96.99

SG11155 Universal Smart Fix 150mm

$$£184.80 - 40\% \times 2.5 = £277 \text{ (7x brackets as per SG pricelist)}$$

TOTAL :: £891

BEDROOM As above

