



CP INTERIORS

QUOTE

To: Alexander Mcmillan
97 Miladi Farm
St Saviour
JE2 7QH

Job Number: SO16707 Q1

Quote Date: Friday 18 Jul 2025

Customer Reference:

Deposit required: £ 4,823.18

Quote Emailed To Mrs Barry On Client's Behalf. Also Posted On 29/04/25 TL

Your Contact: Tamara

TOTAL
DEPOSIT
REQUIRED

Our Price Promise to you

We are so confident our pricing is competitive, that we will beat any written quotation for equivalent product by 5%

As £ 3,566 have already been paid, an additional deposit of £ 1,257 is required.

To supply and fit unless otherwise stated.

Location	Product	Description	Qty	Price
		OPTION 2 - Two awnings together at 3.5m x 2.9m and 3m x 2.4m		
	Awning / Canopy	Weinor Topas II without hood and electrically operated awning, with vibration sensor, powder coated in WT029/50704 Approx. RAL 6009, in WE3-533. Right-hand side motor. Size 3.5m wide x 2.9m projection. Includes remote to operate both awnings.	1	£ 3,281.00
	Awning / Canopy	Weinor Topas II without hood and electrically operated awning, with vibration sensor, powder coated in WT029/50704 Approx. RAL 6009, in WE3-533. Left-hand side motor. Size 3m wide x 2.4m projection. Includes remote to operate both awnings.	1	£ 2,954.00
	Accessories	Goal post including installation	1	£ 2,952.00
		Electrical works not included		

Terms: 50% deposit due with order, 50% on completion

** To go ahead with this quote please make deposit payment. To pay by card call us on 01534 768141 **

Direct Deposit - Sort Code: 60-12-03 Account: 66577772

If you have any queries please call us on 01534 768141 or visit our showroom Rue des Pres Trading Estate St Saviour

** For Our Terms & Conditions of Sale please go to www.cpinteriors.je **

Subtotal £ 9,187.00

GST £ 459.35

Total £ 9,646.35

Paid amount £ 3,566.00

Total amount £ 6,080.35

TOTAL
COST

Please note: This quotation is only valid for acceptance for 7 days. Our estimate does not include any electrical work or additional carpentry work to install the above unless otherwise specified. Please note there is a handling charge on customer own fabric of £7.50 per metre. Due to high costs of labour, pre-arranged missed fitting appointments will be charged on a time-wasted basis. Settlement is due on completion of works and an administration charge of £25 will be added per month if unpaid within 30 days. We reserve the right to charge for design, advice and liaison work carried out should an order not be placed. Goods remain the property of CP Interiors until full settlement is received. Should payment not be received we reserve the right to attend premises during working hours to remove goods and not be required to make good. Our full terms and conditions apply and are available on request.

weinor Ltd 73 Cornhill EC3V 3QQ London

C P Interiors

**Rue Des Pres Trading Estate
GB-JE2 7QN St Saviour Jersey**

delivery address

DSV Road Ltd
(NO UPS)
10 Brunel Way, Segensworth Industrial Estate
GB-PO15 5TX Hampshire, Fareham
NO UPS

ORDER CONFIRMATION (release 1)

sales order no.: 202922216 of 25.07.2025
customer: 165708
reference: McMillan
Your order no.: SO16707
contact person: William Abbott
E-Mail: WAbbott@weinor.de
phone number: +49-221-59709-472
representat. 654 Chris Spickett
tel (representat.): 0044 (0) 7894443907

pos	quantity	article code
-----	----------	--------------

2	1,00	1431	Topas II without hood
---	------	------	-----------------------

expected delivery date	: 22.09.2025		
Product use	: private house		
width [mm]	: 3500	mm	
Projection [mm]	: 2900	mm	1.701,00
Base colour	: WT029/50704 Approx. RAL 6009 Metallic		
type of arm	: Arm with LongLife technology and high-tech belt		
no. of arms	: 2	Piece	
insulation [mm]	: 0	mm	
bracket type 1	: wall bracket 85 mm compl.		
number of brackets 1	: 2	Piece	50,00

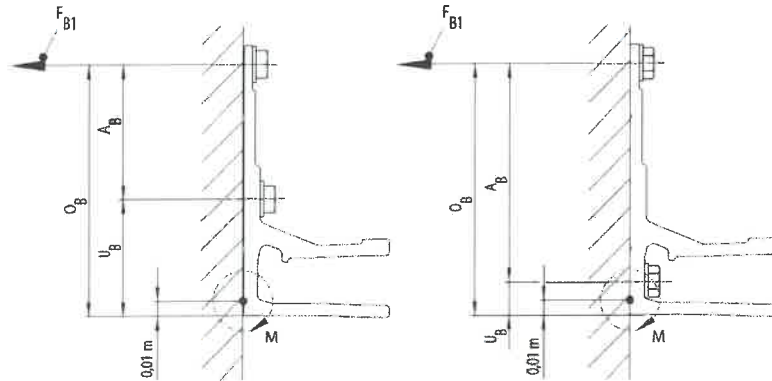
weinor Ltd
73 Cornhill
GB-EC3V 3QQ London
weinor.com

Managing Director:
Tim Földner
General partner:
Weinor Beteiligungs-GmbH
Köln

VAT no.: 335 2381 16
Company no.: 12193066
UTR no.: 33431 24084
EORI no.: GB335238116000

Domestic transfers:
Commerzbank London
Sort Code: 406201
Account Number: 307 537 10


International transfers:
Commerzbank London
IBAN: GB51 COBA 4062 0130 7537 10
Swift: MIDLGB22 a/c COBAGB2X



Force 1 means the pull-out force per upper fastener F(B).

FB1 Force 1 per fixing point	: 2560	N
Torque per folding arm [Nm]	: 405	Nm

Please note that your selected awning configuration results in the following forces per upper fixing point (pull-out, lateral and/or shear forces). These must be accounted for by using suitable fixings.

bracket position KS 2 left [mm]	: 345	mm	
bracket position KS 2 right [mm]	: 345	mm	
arm position A1 left	: 225	mm	
arm position A1 right	: 225	mm	
type of control	: Remote-controlled motor IO Homecontrol		139,00
Side of control (seen from the front)	: right		
control	: hand transmitter Situo 5 io II by weinor		96,00
type of motor	: Motor Sfy Sunea50 io 40/17 ohne Zubehör		
Somfy radio wind sensor io	: with Somfy Eolis 3D WireFree io; black housing		201,00
real-design	: WE3-533	olive-white- block	
			
colour of thread Saba	: white		
Glue fabric?	: no, sewn fabric		
Cardboard packaging	: edges reinforcement		
weight	: 55	kg	

weinor Ltd 73 Cornhill EC3V 3QQ London

customer: 165708 sales order 202922216

Page 3 of 5

pos quantity article code

value of goods	discount amount / %	net
2.187,00	874,80 / 40,00	1.312,20

weinor Ltd
73 Cornhill
GB-EC3V 3QQ London
weinor.com

Managing Director:
Tim Földner
General partner:
Weinor Beteiligungs-GmbH
Köln

VAT no.: 335 2381 16
Company no.: 12193066
UTR no.: 33431 24084
EORI no.: GB335238116000

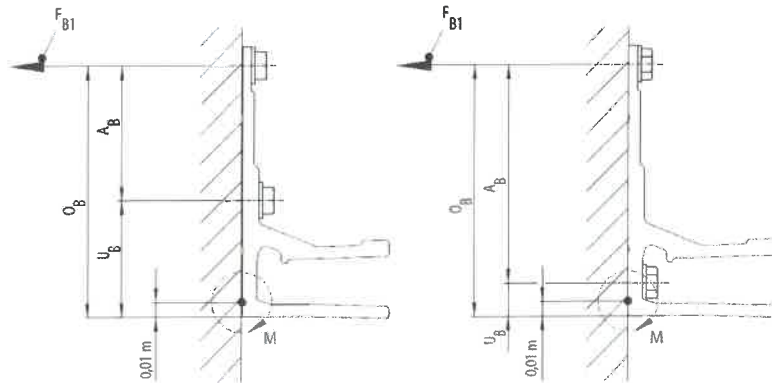
Domestic transfers:
Commerzbank London
Sort Code: 406201
Account Number: 307 537 10

International transfers:
Commerzbank London
IBAN: GB51 COBA 4062 0130 7537 10
Swift: MIDLGB22 a/c COBAGB2X

pos	quantity	article code
-----	----------	--------------

3	1,00	1431	Topas II without hood
---	------	------	-----------------------

expected delivery date	:	22.09.2025	
Product use	:	private house	
width [mm]	:	3000	mm
Projection [mm]	:	2400	mm 1.628,00
Base colour	:	WT029/50704 Approx. RAL 6009 Metallic	
type of arm	:	Arm with LongLife technology and high-tech belt	
no. of arms	:	2	Piece
insulation [mm]	:	0	mm
bracket type 1	:	wall bracket 85 mm compl.	
number of brackets 1	:	2	Piece 50,00



Force 1 means the pull-out force per upper fastener F(B).

FB1 Force 1 per fixing point	:	1654	N
Torque per folding arm [Nm]	:	261	Nm

Please note that your selected awning configuration results in the following forces per upper fixing point (pull-out, lateral and/or shear forces). These must be accounted for by using suitable fixings.


bracket position KS 2 left [mm]	:	345	mm
bracket position KS 2 right [mm]	:	345	mm
arm position A1 left	:	225	mm

weinor Ltd 73 Cornhill EC3V 3QQ London

customer: 165708 sales order 202922216

Page 5 of 5

pos	quantity	article code
-----	----------	--------------

arm position A1 right	: 225	mm	
type of control	: Remote-controlled motor IO Homecontrol		139,00
Side of control (seen from the front)	: left		
control	: hand transmitter Situo 1 io II by weinor		73,00
type of motor	: Motor Sfy Sunea50 io 40/17 ohne Zubehör		
Somfy radio wind sensor io	: with Somfy Eolis 3D WireFree io; black housing		201,00
real-design	: WE3-533	olive-white- block	
			
colour of thread Saba	: white		
Glue fabric?	: no, sewn fabric		
Cardboard packaging	: edges reinforcement		
weight	: 49	kg	

value of goods	discount amount / %	net
2.091,00	836,40 / 40,00	1.254,60

value of goods	discount amount	net	VAT (0 %)	Total GBP
4.278,00	1.711,20	2.566,80	0,00	2.566,80

In addition, our General Terms of Delivery and Payment as per 01/2024, published under the link provided below are valid and we are happy to provide you with them free of charge upon request.

<https://www.weinor.com/terms-and-conditions/>

delivery exw Cologne
 payment: With direct debit 5% discount payment
 mode of dispatch UK export

weinor Ltd
 73 Cornhill
 GB-EC3V 3QQ London
 weinor.com

Managing Director:
 Tim Földner
 General partner:
 Weinor Beteiligungs-GmbH
 Köln

VAT no.: 335 2381 16
 Company no.: 12193066
 UTR no.: 33431 24084
 EORI no.: GB335238116000

Domestic transfers:
 Commerzbank London
 Sort Code: 406201
 Account Number: 307 537 10

International transfers:
 Commerzbank London
 IBAN: GB51 COBA 4062 0130 7537 10
 Swift: MIDLGB22 a/c COBAGB2X

Configuration details

3.5 x 2.9 R ✓
3 x 2.4 ✓

weinor Ltd 73 Cornhill EC3V 3QQ London

C P Interiors

Rue Des Pres Trading Estate
GB-JE2 7QN St Saviour Jerseyreference: McMillan
Your order no.: SO16707
weinor customernumber: 165708
creation Date: 23.07.2025
weinor pers. in charge: William Abbott
phone / fax number: +49-221-59709-472
representat.: Chris Spickett
tel (representat.): 0044 (0) 7894443907

pos	quantity	article	price
2	1	weinor Topas II without hood	2.187,00

Product use	: private house	
width [mm]	: 3500 mm ✓	
Projection [mm]	: 2900 mm ✓	1.701,00
Base colour	: WT029/50704 Approx. RAL 6009 Metallic ✓	
type of arm	: Arm with LongLife technology and high-tech belt	
no. of arms	: 2 Piece	
insulation [mm]	: 0 mm	
bracket type 1	: wall bracket 85 mm compl. ← is standard brackets	
number of brackets 1	: 2 Piece	50,00
FB1 Force 1 per fixing point	: 2560 N	
Torque per folding arm [Nm]	: 405 Nm	
bracket position KS 2 left [mm]	: 345 mm	
bracket position KS 2 right [mm]	: 345 mm	
arm position A1 left	: 225 mm	
arm position A1 right	: 225 mm	
type of control	: Remote-controlled motor IO Homecontrol	139,00
Side of control (seen from the front)	: right ✓	
control	: hand transmitter Situo 5 io II by weinor * if 5 channel, remove from second	96,00
type of motor	: Motor Sfy Sunea50 io 40/17 ohne Zubehör	
Somfy radio wind sensor io	: with Somfy Eolis 3D WireFree io; black housing	201,00
real-design	: WE3-533 olive-white- block	
colour of thread Saba	: white	
Glue fabric?	: no, sewn fabric	
Cardboard packaging	: edges reinforcement	
weight	: 55 kg	

RB checked ✓

weinor Ltd
73 Cornhill
GB-EC3V 3QQ London
weinor.comManaging Director:
Tim Fuldner
General partner:
Weinor Beteiligungs-GmbH
KölnVAT no.: 335 2381 16
Company no.: 12193066
UTR no.: 33431 24084
EORI no.: GB335238116000Domestic transfers:
Commerzbank London
Sort Code: 406201
Account Number: 307 537 10International transfers:
Commerzbank London
IBAN: GB51 COBA 4062 0130 7537 10
Swift: MIDLGB22 a/c COBAGB2X

Configuration details

weinor Ltd 73 Cornhill EC3V 3QQ London

customer:	165708	reference:	McMillan	Page 2 of 3
pos	quantity	article		price
			value of goods	discount amount / %
			2.187,00	874,80 / 40,00
				net
				1.312,20

weinor Ltd
73 Cornhill
GB-EC3V 3QQ London
weinor.com

Managing Director:
Tim Földner
General partner:
Weinor Beteiligungs-GmbH
Köln

VAT no.: 335 2381 16
Company no.: 12193066
UTR no.: 33431 24084
EORI no.: GB335238116000

Domestic transfers:
Commerzbank London
Sort Code: 406201
Account Number: 307 537 10

International transfers:
Commerzbank London
IBAN: GB51 COBA 4062 0130 7537 10
Swift: MIDLGB22 a/c COBAGB2X

Configuration details

weinor Ltd 73 Cornhill EC3V 3QQ London

customer: 165708 reference: McMillan Page 3 of 3

pos quantity article price

3 1 weinor Topas II without hood 2.091,00

Product use	: private house	
width [mm]	: 3000 mm ✓	
Projection [mm]	: 2400 mm ✓	1.628,00
Base colour	: WT029/50704 Approx. RAL 6009 Metallic ✓	
type of arm	: Arm with LongLife technology and high-tech belt	
no. of arms	: 2 Piece	
insulation [mm]	: 0 mm	
bracket type 1	: wall bracket 85 mm compl. ← same? Same as other	
number of brackets 1	: 2 Piece	50,00
FB1 Force 1 per fixing point	: 1654 N	
Torque per folding arm [Nm]	: 261 Nm	
bracket position KS 2 left [mm]	: 345 mm	
bracket position KS 2 right [mm]	: 345 mm	
arm position A1 left	: 225 mm	
arm position A1 right	: 225 mm	
type of control	: Remote-controlled motor IO Homecontrol	139,00
Side of control (seen from the front)	: left ✓	
control	: hand transmitter Situo 1 io II by weinor * remove?	73,00
type of motor	: Motor Sfy Sunea50 io 40/17 ohne Zubehör	
Somfy radio wind sensor io	: with Somfy Eolis 3D WireFree io; black housing	201,00
real-design	: WE3-533 olive-white- block ✓	
colour of thread Saba	: white	
Glue fabric?	: no, sewn fabric	
Cardboard packaging	: edges reinforcement	
weight	: 49 kg	

	value of goods	discount amount / %	net
	2.091,00	836,40 / 40,00	1.254,60

value of goods GBP	discount amount	net GBP	VAT (0 %)	Total GBP
4.278,00	1.711,20	2.566,80	0,00	2.566,80

RB checked?

weinor Ltd
73 Cornhill
GB-EC3V 3QQ London
weinor.com

Managing Director:
Tim Földner
General partner:
Weinor Beteiligungs-GmbH
Köln

VAT no.: 335 2381 16
Company no.: 12193066
UTR no.: 33431 24084
EORI no.: GB335238116000

Domestic transfers:
Commerzbank London
Sort Code: 406201
Account Number: 307 537 10

International transfers:
Commerzbank London
IBAN: GB51 COBA 4062 0130 7537 10
Swift: MIDLGB22 a/c COBAGB2X

Option 1 - 1 awning

Product	Size	Price
Topas II awning (without hood). Includes vibration sensor	6.5m x 3m	£ 4,017.00
Goal post (includes post and labour)		£ 2,952.00

**TOTAL inclusive of
GST £ 7,317.45**

Option 2 - 2 awnings (no vibration sensor)

Product	Size	Price
Topas II awning (without hood).	3.5m x 3m	£ 2,979.00
Topas II awning (without hood).	3m x 2.5m	£ 2,653.00
Goal post (includes post and labour)		£ 2,952.00

**TOTAL inclusive of
GST £ 9,013.20**

Option 3 - 2 awnings (with vibration sensor)

Product	Size	Price
Topas II awning (without hood).	3.5m x 2.9m	£ 3,281.00
Topas II awning (without hood).	3m x 2.4m	£ 2,954.00
Goal post (includes post and labour)		£ 2,952.00

**TOTAL inclusive of
GST £ 9,646.35**



Work Diary.

Staff Name Adrian
Order No SO16707
Surveyor Measurer

Contact Address
 Mr. Alexander, Mcmillan97 Miladi Farm, St Saviour, JE2 7QH, 01534 733389,
 beezer1948@icloud.com

Customer Ref Email To Mrs A Barry On Behalf
Date 15-04-2025
Time 15:00 PM

Notes : Mr Mcmillan would like advice to see if he can have an awning fitted - if possible on his existing external area / structure (old Mercedes in drive/ outside is where house is)

Location	Supplier	Blind Type /Description	Colour	Qty	Width	Drop	Fitting Height	B or R	Controls	Brackets	Surface	Unit Price
		Awning		1	6500	3000	TBC					
		TGLAS		1	5000	3000	over		ordered			R4M
				1	5000	2500			NOTES			R4M
				1	5000	2500			side			R4M
									plus			£1,500
		electr. up							soft fast			
		R25							P.E. Sub			

Comments:

Surface Fixing
 C=Concrete
 W=Wood
 M=Metal
 B=Brick
 P=Plastic
 T=Tile

Order

Quote

Customer Signature
 X
 I have checked and agree with the above choices

Target Fitting Date



CP INTERIORS

QUOTE

Q2 accepted
but had to move to
Q1 as payment
entered on there
have
changed

To:
Alexander Mcmillan
97 Miladi Farm
St Saviour
JE2 7QH

Job Number: SO16707 Q2
Customer Reference:
OPTION 2

Quote Date: Saturday 26 Apr 2025
Deposit required: £ 3,744.30
Your Contact: Tamara

Our Price Promise to you
We are so confident our pricing is competitive, that we will beat any written quotation for equivalent product by 5%

To supply and fit unless otherwise stated.

Location	Product	Description	Qty	Price
----------	---------	-------------	-----	-------

OPTION 2 - Two awnings together at 3.5m x 3m and 3m x 2.5m

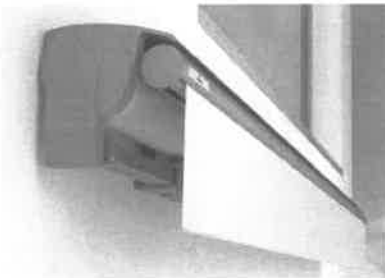
Awning / Canopy	Weinor Topas II without hood and electrically operated awning, powder coated in one of the standard colours, in one of the My Collections fabrics available. Motor side TBC. Size 3.5m wide x 3m projection. Includes remote to operate both awnings.	1	£ 2,979.00
-----------------	---	---	------------

Please note that the vibration sensor is not available due to the size of the awning. The width of the awning doesn't allow enough space for the sensor and the arms.

Awning / Canopy	Weinor Topas II without hood and electrically operated awning, powder coated in one of the standard colours, in one of the My Collections fabrics available. Motor side TBC. Size 3m wide x 2.5m projection. Includes remote to operate both awnings.	1	£ 2,653.00
-----------------	---	---	------------

Please note that the vibration sensor is not available due to the size of the awning. The width of the awning doesn't allow enough space for the sensor and the arms.

A 3533
Bottle green
+ white cream
stripe
(last fabric in
book)



Frame
- Green
(envelope
with colours
in sample
book)

Accessories	Goal post. P.C. Sum	1	£ 1,500.00
-------------	---------------------	---	------------

Awning hood for additional protection available at additional cost

Electrical works not included

Photo only for reference. This quote doesn't include the valance option

Terms: 50% deposit due with order, 50% on completion

**** To go ahead with this quote please make deposit payment. To pay by card call us on 01534 768141 ****

Direct Deposit - Sort Code: 60-12-03 Account: 66577772

If you have any queries please call us on 01534 768141 or visit our showroom Rue des Pres Trading Estate St Saviour

**** For Our Terms & Conditions of Sale please go to www.cpinteriors.je ****

Subtotal	£ 7,132.00
GST	£ 356.60
Total	£ 7,488.60
Paid amount	£ 0.00
Total amount	£ 7,488.60

Please note: This quotation is only valid for acceptance for 7 days. Our estimate does not include any electrical work or additional carpentry work to install the above unless otherwise specified. Please note there is a handling charge on customer own fabric of £7.50 per metre. Due to high costs of labour, pre-arranged missed fitting appointments will be charged on a time-wasted basis. Settlement is due on completion of works and an administration charge of £25 will be added per month if unpaid within 30 days. We reserve the right to charge for design, advice and liaison work carried out should an order not be placed. Goods remain the property of CP Interiors until full settlement is received. Should payment not be received we reserve the right to attend premises during working hours to remove goods and not be required to make good. Our full terms and conditions apply and are available on request.



CP INTERIORS

QUOTE

To:
Alexander Mcmillan
97 Miladi Farm
St Saviour
JE2 7QH

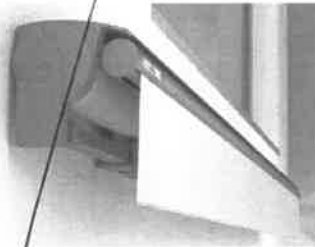
Job Number: SO16707 Q1
Customer Reference:
OPTION 1

Quote Date: Saturday 26 Apr 2025
Deposit required: £ 2,896.43
Your Contact: Tamara

Our Price Promise to you
We are so confident our pricing is competitive, that we will beat any written quotation for equivalent product by 5%

To supply and fit unless otherwise stated.

Location	Product	Description	Qty	Price
		OPTION 1 - 6.5m x 3m awning		
	Awning / Canopy	Weinor Topas II without hood and electrically operated awning, with vibration sensor, powder coated in one of the standard colours, in one of the My Collections fabrics available. Motor side TBC. Size 6.5m wide x 3m projection. Includes remote.	1	£ 4,017.00
	Accessories	Goal post. P.C. Sun	1	£ 1,500.00
		Awning hood for additional protection available at additional cost		
		Electrical works not included		
		Photo only for reference. This quote doesn't include the valance option		



Terms: 50% deposit due with order, 50% on completion

**** To go ahead with this quote please make deposit payment. To pay by card call us on 01534 768141 ****

Direct Deposit - Sort Code: 60-12-03 Account: 66577772

If you have any queries please call us on 01534 768141 or visit our showroom Rue des Pres Trading Estate St Saviour

**** For Our Terms & Conditions of Sale please go to www.cpinteriors.je ****

Subtotal	£ 5,517.00
GST	£ 275.85
Total	£ 5,792.85
Paid amount	£ 0.00
Total amount	£ 5,792.85

Please note: This quotation is only valid for acceptance for 7 days. Our estimate does not include any electrical work or additional carpentry work to install the above unless otherwise specified. Please note there is a handling charge on customer own fabric of £7.50 per metre. Due to high costs of labour, pre-arranged missed fitting appointments will be charged on a time-wasted basis. Settlement is due on completion of works and an administration charge of £25 will be added per month if unpaid within 30 days. We reserve the right to charge for design, advice and liaison work carried out should an order not be placed. Goods remain the property of CP Interiors until full settlement is received. Should payment not be received we reserve the right to attend premises during working hours to remove goods and not be required to make good. Our full terms and conditions apply and are available on request.



Configuration details

weinor Ltd 73 Cornhill EC3V 3QQ London

C P Interiors

**Rue Des Pres Trading Estate
GB-JE2 7QN St Saviour Jersey**

reference: McMillan
Your order no.: SO16707
weinor customernumber: 165708
creation Date: 16.05.2025
weinor pers. in charge: William Abbott
phone / fax number: +49-221-59709-472
representat.: Chris Spickett
tel (representat.): 0044 (0) 7894443907

pos	quantity	article	price
2	1	weinor Topas II without hood	2.187,00
		Product use : private house	
		width (mm) : 3500 mm	
		Projection [mm] : 2900 mm	1.701,00
		Basic colour : WT029/50704 Approx. RAL 6009 Metallic	
		Arm type : Arm with LongLife technology and high-tech belt	
		no. of arms : 2 Piece	
		insulation [mm] : 0 mm	
		bracket type 1 : wall bracket 85 mm compl.	
		number of brackets 1 : 2 Piece	50,00
		FB1 Force 1 per fixing point : 2560 N	
		M = Torque per folding arm : 405 Nm	
		bracket position KS 2 left [mm] : 345 mm	
		bracket position KS 2 right [mm] : 345 mm	
		arm position A1 left : 225 mm	
		arm position A1 right : 225 mm	
		type of control : Remote-controlled motor IO Homecontrol	139,00
		Side of control (seen from the front) : left <i>Right</i>	
		control : hand transmitter Situo 5 io II by weinor	96,00
		Type of engine : Motor Sfy Sunea50 io 40/17 ohne Zubehör	
		Somfy radio wind sensor io : with Somfy Eolis 3D WireFree io; black housing	201,00
		real-design : WE3-533 olive-white- block	
		colour of thread Saba : white	
		Glue fabric? : no, sewn fabric	
		Cardboard container : edges reinforcement	
		weight : 55 kg	

weinor Ltd
73 Cornhill
GB-EC3V 3QQ London
weinor.com

Managing Director:
Tim Fuldner
General partner:
Weinor Beteiligungs-GmbH
Köln

VAT no.: 335 2381 16
Company no.: 12193066
UTR no.: 33431 24084
EORI no.: GB335238116000

Domestic transfers:
Commerzbank London
Sort Code: 406201
Account Number: 307 537 10

International transfers:
Commerzbank London
IBAN: GB51 COBA 4062 0130 7537 10
Swift: MIDLGB22 a/c COBAGB2X

Configuration details

weinor Ltd 73 Cornhill EC3V 3QQ London

customer:	165708	reference:	McMillan	Page 2 of 3
pos	quantity	article		price
			value of goods	discount amount / %
			2.187,00	874,80 / 40,00
				net
				1.312,20

£ 3281

Configuration details

weinor Ltd 73 Cornhill EC3V 3QQ London

customer: 165708 reference: McMillan Page 3 of 3
 pos quantity article price

3 1 weinor Topas II without hood 2.091,00

Product use : private house
 width (mm) : 3000 mm
 Projection [mm] : 2400 mm 1.628,00
 Basic colour : WT029/50704 Approx. RAL 6009 Metallic
 Arm type : Arm with LongLife technology and high-tech belt
 no. of arms : 2 Piece
 insulation [mm] : 0 mm
 bracket type 1 : wall bracket 85 mm compl.
 number of brackets 1 : 2 Piece 50,00
 FB1 Force 1 per fixing point : 1654 N
 M = Torque per folding arm : 261 Nm
 bracket position KS 2 left [mm] : 345 mm
 bracket position KS 2 right [mm] : 345 mm
 arm position A1 left : 225 mm
 arm position A1 right : 225 mm
 type of control : Remote-controlled motor IO Homecontrol 139,00
 Side of control (seen from the front) : right *LHU*
 control : hand transmitter Situo 1 io II by weinor 73,00
 Type of engine : Motor Sfy Sunea50 io 40/17 ohne Zubehör
 Somfy radio wind sensor io : with Somfy Eolis 3D WireFree io; black housing 201,00
 real-design : WE3-533 olive-white- block
 colour of thread Saba : white
 Glue fabric? : no, sewn fabric
 Cardboard container : edges reinforcement
 weight : 49 kg

value of goods	discount amount / %	net
2.091,00	836,40 / 40,00	1.254,60

value of goods GBP	discount amount	net GBP	VAT (0 %)	Total GBP
4.278,00	1.711,20	2.566,80	0,00	2.566,80

12954

Configuration details

weinor Ltd 73 Cornhill EC3V 3QQ London

C P Interiors

**Rue Des Pres Trading Estate
GB-JE2 7QN St Saviour Jersey**

reference: McMillan
Your order no.: SO16707
weinor customernumber: 165708
creation Date: 13.05.2025
weinor pers. in charge: William Abbott
phone / fax number: +49-221-59709-472
representat.: Chris Spickett
tel (representat.): 0044 (0) 7894443907

pos	quantity	article	price
1	1	weinor Topas II without hood	2.678,00
		Product use : private house	
		width [mm] : 6500 mm	
		Projection [mm] : 3000 mm	2.140,00
		Base colour : RAL 4006 Traffic purple	
		type of arm : Arm with LongLife technology and high-tech belt	
		no. of arms : 2 Piece	
		insulation [mm] : 0 mm	
		bracket type 1 : wall bracket 85 mm compl.	
		number of brackets 1 : 5 Piece	125,00
		FB1 Force 1 per fixing point : 2639 N	
		Torque per folding arm [Nm] : 834 Nm	
		Bracket position KS 1 left [mm] : 560 mm	
		bracket position KS 1 right [mm] : 560 mm	
		bracket position KS 2 left [mm] : 770 mm	
		bracket position KS 2 right [mm] : 770 mm	
		bracket position KS 3 [mm] : 3105 mm	
		arm position A1 left : 650 mm	
		arm position A1 right : 650 mm	
		type of control : Remote-controlled motor IO Homecontrol	139,00
		Side of control (seen from the front) : left	
		control : hand transmitter Situo 1 io II by weinor	73,00
		type of motor	
		Somfy radio wind sensor io : with Somfy Eolis 3D WireFree io; black housing	201,00
		real-design : WE3-501	
		colour of thread Saba : light beige	

weinor Ltd
73 Cornhill
GB-EC3V 3QQ London
weinor.com

Managing Director:
Tim Fuldner
General partner:
Weinor Beteiligungs-GmbH
Köln

VAT no.: 335 2381 16
Company no.: 12193066
UTR no.: 33431 24084
EORI no.: GB335238116000

Domestic transfers:
Commerzbank London
Sort Code: 406201
Account Number: 307 537 10

International transfers:
Commerzbank London
IBAN: GB51 COBA 4062 0130 7537 10
Swift: MIDLGB22 a/c COBAGB2X

Configuration details

weinor Ltd 73 Cornhill EC3V3QQ London

customer:	165708	reference:	McMillan	Page 2 of 4	
pos	quantity	article			price
Glue fabric?		: no, sewn fabric			
Cardboard packaging		: edges reinforcement			
weight		: 84 kg			
			value of goods	discount amount / %	net
			2.678,00	1.071,20 / 40,00	1.606,80

Configuration details

weinor Ltd 73 Cornhill EC3V3QQ London

REDUCED PROTECTION + VIBRATION SENSOR

customer: 165708 reference: McMillan Page 4 of 4

pos	quantity	article	price
3	1	weinor Topas II without hood	2.091,00

Product use	: private house		
width [mm]	: 3000 mm		
Projection [mm]	: 2400 mm		1.628,00
Base colour	: RAL 4006 Traffic purple		
type of arm	: Arm with LongLife technology and high-tech belt		
no. of arms	: 2 Piece		
insulation [mm]	: 0 mm		
bracket type 1	: wall bracket 85 mm compl.		
number of brackets 1	: 2 Piece		50,00
FB1 Force 1 per fixing point	: 1654 N		
Torque per folding arm [Nm]	: 261 Nm		
bracket position KS 2 left [mm]	: 345 mm		
bracket position KS 2 right [mm]	: 345 mm		
arm position A1 left	: 225 mm		
arm position A1 right	: 225 mm		
type of control	: Remote-controlled motor IO Homecontrol		139,00
Side of control (seen from the front)	: right		
control	: hand transmitter Situo 1 io II by weinor		73,00
type of motor	: Motor Sfy Sunea50 io 40/17 ohne Zubehör		
Somfy radio wind sensor io	: with Somfy Eolis 3D WireFree io; black housing		201,00
real-design	: WE3-501		
colour of thread Saba	: light beige		
Glue fabric?	: no, sewn fabric		
Cardboard packaging	: edges reinforcement		
weight	: 49 kg		

	value of goods	discount amount / %	net
	2.091,00	836,40 / 40,00	1.254,60

~~£3157~~ £2954

value of goods GBP	discount amount	net GBP	VAT (0 %)	Total GBP
6.956,00	2.782,40	4.173,60	0,00	4.173,60

Configuration details

weinor Ltd 73 Cornhill EC3V 3QQ London

customer: 165708 reference: McMillan Page 3 of 4
 pos quantity article price

2 1 weinor Topas II without hood 2.187,00

Product use : private house
 width [mm] : 3500 mm
 Projection [mm] : 2900 mm 1.701,00
 Base colour : RAL 4006 Traffic purple
 type of arm : Arm with LongLife technology and high-tech belt
 no. of arms : 2 Piece
 insulation [mm] : 0 mm
 bracket type 1 : wall bracket 85 mm compl.
 number of brackets 1 : 2 Piece 50,00
 FB1 Force 1 per fixing point : 2560 N
 Torque per folding arm [Nm] : 405 Nm
 bracket position KS 2 left [mm] : 345 mm
 bracket position KS 2 right [mm] : 345 mm
 arm position A1 left : 225 mm
 arm position A1 right : 225 mm
 type of control : Remote-controlled motor IO Homecontrol 139,00
 Side of control (seen from the front) : left
 control : hand transmitter Situo 5 io II by weinor 96,00
 type of motor : Motor Sfy Sunea50 io 40/17 ohne Zubehör
 Somfy radio wind sensor io : with Somfy Eolis 3D WireFree io; black housing 201,00
 real-design : WE3-501
 colour of thread Saba : light beige
 Glue fabric? : no, sewn fabric
 Cardboard packaging : edges reinforcement
 weight : 55 kg

value of goods	discount amount / %	net
2.187,00	874,80 / 40,00	1.312,20

£3281

Configuration details

weinor Ltd 73 Cornhill EC3V 3QQ London

Page 4 of 4

customer: 165708 reference: McMillan

pos	quantity	article	price
3	1	weinor Topas II without hood	1.890,00

Product use	: private house	
width (mm)	: 3000 mm	
Projection [mm]	: 2500 mm	1.628,00
Basic colour	: RAL 4006 Traffic purple	
Arm type	: Arm with LongLife technology and high-tech belt	
no. of arms	: 2 Piece	
insulation [mm]	: 0 mm	
bracket type 1	: wall bracket 85 mm compl.	
number of brackets 1	: 2 Piece	50,00
FB1 Force 1 per fixing point	: 1768 N	
M = Torque per folding arm	: 279 Nm	
bracket position KS 2 left [mm]	: 295 mm	
bracket position KS 2 right [mm]	: 295 mm	
arm position A1 left	: 175 mm	
arm position A1 right	: 175 mm	
type of control	: Remote-controlled motor IO Homecontrol	139,00
Side of control (seen from the front)	: right	
control	: hand transmitter Situo 1 io II by weinor	
Type of engine	: Motor Sfy Sunea50 io 40/17 ohne Zubehör	
real-design	: WE3-501	
colour of thread Saba	: light beige	
Glue fabric?	: no, sewn fabric	
Cardboard container	: edges reinforcement	
weight	: 49 kg	

Situo 5
from other unit ~~73,00~~

value of goods	discount amount / %	net
1.890,00	756,00 / 40,00	1.134,00

$£1001 \times 2.5 = 2.653$

value of goods GBP	discount amount	net GBP	VAT (0 %)	Total GBP
6.554,00	2.621,60	3.932,40	0,00	3.932,40

weinor Ltd
73 Cornhill
GB-EC3V 3QQ London
weinor.com

Managing Director:
Tim Földner
General partner:
Weinor Beteiligungs-GmbH
Köln

VAT no.: 335 2381 16
Company no.: 12193066
UTR no.: 33431 24084
EORI no.: GB335238116000

Domestic transfers:
Commerzbank London
Sort Code: 406201
Account Number: 307 537 10

International transfers:
Commerzbank London
IBAN: GB51 COBA 4062 0130 7537 10
Swift: MIDLGB22 a/c COBAGB2X

Configuration details

weinor Ltd 73 Cornhill EC3V 3QQ London

customer: 165708 reference: McMillan Page 3 of 4

pos	quantity	article	price
2	1	weinor Topas II without hood	1.986,00

Product use	: private house	
width (mm)	: 3500 mm	
Projection [mm]	: 3000 mm	1.701,00
Basic colour	: RAL 4006 Traffic purple	
Arm type	: Arm with LongLife technology and high-tech belt	
no. of arms	: 2 Piece	
insulation [mm]	: 0 mm	
bracket type 1	: wall bracket 85 mm compl.	
number of brackets 1	: 2 Piece	50,00
FB1 Force 1 per fixing point	: 2782 N	
M = Torque per folding arm	: 440 Nm	
bracket position KS 2 left [mm]	: 295 mm	
bracket position KS 2 right [mm]	: 295 mm	
arm position A1 left	: 175 mm	
arm position A1 right	: 175 mm	
type of control	: Remote-controlled motor IO Homecontrol	139,00
Side of control (seen from the front)	: left	
control	: hand transmitter Situo 5 io II by weinor	96,00
Type of engine	: Motor Sfy Sunea50 io 40/17 ohne Zubehör	
real-design	: WE3-501	
colour of thread Saba	: light beige	
Glue fabric?	: no, sewn fabric	
Cardboard container	: edges reinforcement	
weight	: 57 kg	

value of goods	discount amount / %	net
1.986,00	794,40 / 40,00	1.191,60

£2979

2 + 3 TOGETHER = £5632

~~COLIS VIBRATION SENSOR NOT AVAILABLE DUE TO SIZE :~~

Configuration details

weinor Ltd 73 Cornhill EC3V 3QQ London

customer: 165708 reference: McMillan Page 2 of 4

pos quantity article price

Glue fabric? : no, sewn fabric
 Cardboard container : edges reinforcement
 weight : 84 kg

	value of goods	discount amount / %	net
	2.678,00	1.071,20 / 40,00	1.606,80

£4,017

Configuration details

weinor Ltd 73 Cornhill EC3V3QQ London

C P Interiors

**Rue Des Pres Trading Estate
GB-JE2 7QN St Saviour Jersey**

reference: McMillan
Your order no.: SO16707
weinor customernumber: 165708
creation Date: 26.04.2025
weinor pers. in charge: William Abbott
phone / fax number: +49-221-59709-472
representat.: Chris Spickett
tel (representat.): 0044 (0) 7894443907

pos	quantity	article	price
1	1	weinor Topas II without hood	2.678,00
		Product use : private house	
		width (mm) : 6500 mm	
		Projection [mm] : 3000 mm	2.140,00
		Basic colour : RAL 4006 Traffic purple	
		Arm type : Arm with LongLife technology and high-tech belt	
		no. of arms : 2 Piece	
		insulation [mm] : 0 mm	
		bracket type 1 : wall bracket 85 mm compl.	
		number of brackets 1 : 5 Piece	125,00
		FB1 Force 1 per fixing point : 2639 N	
		M = Torque per folding arm : 834 Nm	
		Bracket position KS 1 left [mm] : 560 mm	
		bracket position KS 1 right [mm] : 560 mm	
		bracket position KS 2 left [mm] : 770 mm	
		bracket position KS 2 right [mm] : 770 mm	
		bracket position KS 3 [mm] : 3105 mm	
		arm position A1 left : 650 mm	
		arm position A1 right : 650 mm	
		type of control : Remote-controlled motor IO Homecontrol	139,00
		Side of control (seen from the front) : left	
		control : hand transmitter Situo 1 io II by weinor	73,00
		Type of engine :	
		Somfy radio wind sensor io : with Somfy Eolis 3D WireFree io; black housing	201,00
		real-design : WE3-501	
		colour of thread Saba : light beige	

weinor Ltd
73 Cornhill
GB-EC3V3QQ London
weinor.com

Managing Director:
Tim Fuldner
General partner:
Weinor Beteiligungs-GmbH
Köln

VAT no.: 335 2381 16
Company no.: 12193066
UTR no.: 33431 24084
EORI no.: GB335238116000

Domestic transfers:
Commerzbank London
Sort Code: 406201
Account Number: 307 537 10

International transfers:
Commerzbank London
IBAN: GB51 COBA 4062 0130 7537 10
Swift: MIDLGB22 a/c COBAGB2X