

weinor Ltd 73 Cornhill EC3V 3QQ London

## C P Interiors

**Rue Des Pres Trading Estate  
GB-JE2 7QN St Saviour Jersey**

### delivery address

DSV Road Ltd  
(NO UPS)  
10 Brunel Way, Segensworth Industrial Estate  
GB-PO15 5TX Hampshire, Fareham  
NO UPS

## ORDER CONFIRMATION (release 1)

sales order no.: 202922216 of 25.07.2025  
customer: 165708  
reference: McMillan  
Your order no.: SO16707  
contact person: William Abbott  
E-Mail: WAbbott@weinor.de  
phone number: +49-221-59709-472  
representat.: 654 Chris Spickett  
tel (representat.): 0044 ( 0) 7894443907

pos	quantity	article code
-----	----------	--------------

2	1,00	1431 Topas II without hood
---	------	----------------------------

expected delivery date	: 22.09.2025		
Product use	: private house		
width [mm]	: 3500	mm	
Projection [mm]	: 2900	mm	1.701,00
Base colour	: WT029/50704 Approx. RAL 6009 Metallic		
type of arm	: Arm with LongLife technology and high-tech belt		
no. of arms	: 2	Piece	
insulation [mm]	: 0	mm	
bracket type 1	: wall bracket 85 mm compl.		
number of brackets 1	: 2	Piece	50,00

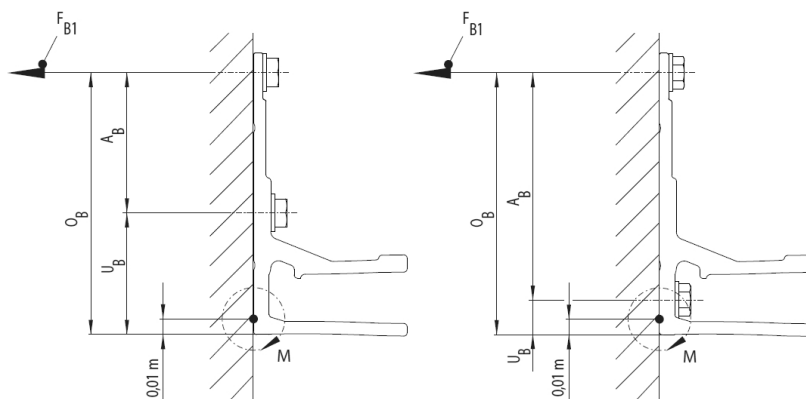
weinor Ltd  
73 Cornhill  
GB-EC3V 3QQ London  
weinor.com

Managing Director:  
Tim Fuldner  
General partner:  
Weinor Beteiligungs-GmbH  
Köln

VAT no.: 335 2381 16  
Company no.: 12193066  
UTR no.: 33431 24084  
EORI no.: GB335238116000

**Domestic transfers:**  
Commerzbank London  
Sort Code: 406201  
Account Number: 307 537 10


**International transfers:**  
Commerzbank London  
IBAN: GB51 COBA 4062 0130 7537 10  
Swift: MIDLGB22 a/c COBAGB2X



**Force 1 means the pull-out force per upper fastener F(B).**

FB1 Force 1 per fixing point	: 2560	N
Torque per folding arm [Nm]	: 405	Nm

**Please note that your selected awning configuration results in the following forces per upper fixing point (pull-out, lateral and/or shear forces). These must be accounted for by using suitable fixings.**

bracket position KS 2 left [mm]	: 345	mm
bracket position KS 2 right [mm]	: 345	mm
arm position A1 left	: 225	mm
arm position A1 right	: 225	mm
type of control	: Remote-controlled motor IO Homecontrol	139,00
Side of control (seen from the front)	: right	
control	: hand transmitter Situo 5 io II by weinor	96,00
type of motor	: Motor Sfy Sunea50 io 40/17 ohne Zubehör	
Somfy radio wind sensor io	: with Somfy Eolis 3D WireFree io; black housing	201,00
real-design	: WE3-533	olive-white- block
		
colour of thread Saba	: white	
Glue fabric?	: no, sewn fabric	
Cardboard packaging	: edges reinforcement	
weight	: 55	kg

weinor Ltd 73 Cornhill EC3V 3QQ London

customer: 165708 sales order 202922216

Page 3 of 5

**pos quantity article code**

value of goods	discount amount / %	net
2.187,00	874,80 / 40,00	1.312,20

weinor Ltd  
73 Cornhill  
GB-EC3V 3QQ London  
weinor.com

Managing Director:  
Tim Földner  
General partner:  
Weinor Beteiligungs-GmbH  
Köln

VAT no.: 335 2381 16  
Company no.: 12193066  
UTR no.: 33431 24084  
EORI no.: GB335238116000

**Domestic transfers:**  
Commerzbank London  
Sort Code: 406201  
Account Number: 307 537 10

**International transfers:**  
Commerzbank London  
IBAN: GB51 COBA 4062 0130 7537 10  
Swift: MIDLGB22 a/c COBAGB2X



weinor Ltd 73 Cornhill EC3V 3QQ London

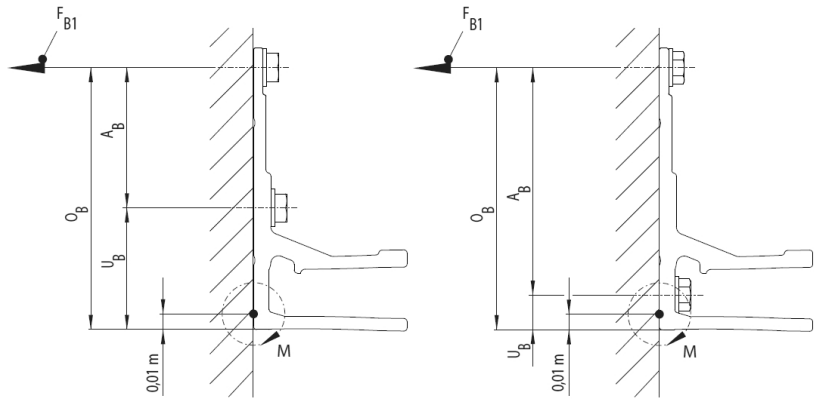
customer: 165708 sales order 202922216

Page 4 of 5

**pos quantity article code**

3 1,00 1431 Topas II without hood

- expected delivery date : 22.09.2025
- Product use : private house
- width [mm] : 3000 mm
- Projection [mm] : 2400 mm 1.628,00
- Base colour : WT029/50704 Approx. RAL 6009 Metallic
- type of arm : Arm with LongLife technology and high-tech belt
- no. of arms : 2 Piece
- insulation [mm] : 0 mm
- bracket type 1 : wall bracket 85 mm compl.
- number of brackets 1 : 2 Piece 50,00



**Force 1 means the pull-out force per upper fastener F(B).**

- FB1 Force 1 per fixing point : 1654 N
- Torque per folding arm [Nm] : 261 Nm

**Please note that your selected awning configuration results in the following forces per upper fixing point (pull-out, lateral and/or shear forces). These must be accounted for by using suitable fixings.**

- bracket position KS 2 left [mm] : 345 mm
- bracket position KS 2 right [mm] : 345 mm
- arm position A1 left : 225 mm

weinor Ltd  
73 Cornhill  
GB-EC3V 3QQ London  
weinor.com

Managing Director:  
Tim Fuldner  
General partner:  
Weinor Beteiligungs-GmbH  
Köln

VAT no.: 335 2381 16  
Company no.: 12193066  
UTR no.: 33431 24084  
EORI no.: GB335238116000

**Domestic transfers:**  
Commerzbank London  
Sort Code: 406201  
Account Number: 307 537 10


**International transfers:**  
Commerzbank London  
IBAN: GB51 COBA 4062 0130 7537 10  
Swift: MIDLGB22 a/c COBAGB2X

weinor Ltd 73 Cornhill EC3V 3QQ London

customer: 165708 sales order 202922216

Page 5 of 5

**pos quantity article code**

arm position A1 right	: 225	mm		
type of control	: Remote-controlled motor IO Homecontrol		139,00	
Side of control (seen from the front)	: left			
control	: hand transmitter Situo 1 io II by weinor		73,00	
type of motor	: Motor Sfy Sunea50 io 40/17 ohne Zubehör			
Somfy radio wind sensor io	: with Somfy Eolis 3D WireFree io; black housing		201,00	
real-design	: WE3-533	olive-white- block		
				
colour of thread Saba	: white			
Glue fabric?	: no, sewn fabric			
Cardboard packaging	: edges reinforcement			
weight	: 49	kg		

value of goods	discount amount / %	net
2.091,00	836,40 / 40,00	1.254,60

<b>value of goods</b>	<b>discount amount</b>	<b>net</b>	<b>VAT (0 %)</b>	<b>Total GBP</b>
<b>4.278,00</b>	<b>1.711,20</b>	<b>2.566,80</b>	<b>0,00</b>	<b>2.566,80</b>

In addition, our General Terms of Delivery and Payment as per 01/2024, published under the link provided below are valid and we are happy to provide you with them free of charge upon request.

<https://www.weinor.com/terms-and-conditions/>

delivery exw Cologne  
 payment: With direct debit 5% discount payment  
 mode of dispatch UK export

weinor Ltd  
 73 Cornhill  
 GB-EC3V 3QQ London  
 weinor.com

Managing Director:  
 Tim Fuldner  
 General partner:  
 Weinor Beteiligungs-GmbH  
 Köln

VAT no.: 335 2381 16  
 Company no.: 12193066  
 UTR no.: 33431 24084  
 EORI no.: GB335238116000

**Domestic transfers:**  
 Commerzbank London  
 Sort Code: 406201  
 Account Number: 307 537 10

**International transfers:**  
 Commerzbank London  
 IBAN: GB51 COBA 4062 0130 7537 10  
 Swift: MIDLGB22 a/c COBAGB2X