



CP INTERIORS

QUOTE

To:
David Myles
Grenville House
Plat Douet Road
St Saviour
JE2 7PN

Job Number: SO16850 Q1
Customer Reference:
Awning

Quote Date: Wednesday 25 Jun 2025
Deposit required: £ 4,775.29
Your Contact: Tamara

Our Price Promise to you
We are so confident our pricing is competitive, that we will beat any written quotation for equivalent product by 5%

To supply and fit unless otherwise stated.

Location	Product	Description	Qty	Price
	Awning / Canopy	Weinor Opal Design II LED electrically operated awning with full cassette and vibration sensor, powder coated in WT029/80077, in A 4-208 fabric. Right hand side motor. Face fix. Size 6.5m wide x 4m projection. Includes remote to operate awning and lights.	1	£ 9,329.00
		Electrical works not included		
		Photo of awning only for reference as it is not the colour selected by the client		
		Finance option available		
			Discount	£ 233.22
			Subtotal	£ 9,095.78
			GST	£ 454.79
			Total	£ 9,550.57
			Paid amount	£ 0.00
			Total amount	£ 9,550.57

Terms: 50% deposit due with order, 50% on completion

**** To go ahead with this quote please make deposit payment. To pay by card call us on 01534 768141 ****

Direct Deposit - Sort Code: 60-12-03 Account: 66577772

If you have any queries please call us on 01534 768141 or visit our showroom
Rue des Pres Trading Estate St Saviour

**** For Our Terms & Conditions of Sale please go to www.cpinteriors.je ****

Please note: This quotation is only valid for acceptance for 7 days. Our estimate does not include any electrical work or additional carpentry work to install the above unless otherwise specified. Please note there is a handling charge on customer own fabric of £7.50 per metre. Due to high costs of labour, pre-arranged missed fitting appointments will be charged on a time-wasted basis. Settlement is due on completion of works and an administration charge of £25 will be added per month if unpaid within 30 days. We reserve the right to charge for design, advice and liaison work carried out should an order not be placed. Goods remain the property of CP Interiors until full settlement is received. Should payment not be received we reserve the right to attend premises during working hours to remove goods and not be required to make good. Our full terms and conditions apply and are available on request.

2.5% discount agreed for by Adrian for paying up-front



CP INTERIORS



QUOTE

To:
 David Myles
 Grenville House
 Plat Douet Road
 St Saviour
 JE2 7PN

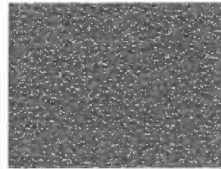
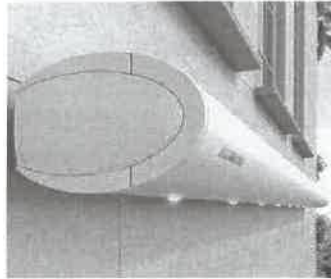
Job Number: SO16850 Q1
Customer Reference:
 Awning

Quote Date: Friday 20 Jun 2025
Deposit required: £ 4,897.73
Your Contact: Tamara

Our Price Promise to you
 We are so confident our pricing is competitive, that we will beat any written quotation for equivalent product by 5%

To supply and fit unless otherwise stated.

Location	Product	Description	Qty	Price
	Awning / Canopy	Weinor Opal Design II LED electrically operated awning with full cassette and vibration sensor, powder coated in WT029/80077, in A 4-208 fabric. Right hand side motor. Face fix. Size 6.5m wide x 4m projection. Includes remote to operate awning and lights.	1	£ 9,329.00



Electrical works not included

Photo of awning only for reference as it is not the colour selected by the client

*** Finance option available ***

Terms: 50% deposit due with order, 50% on completion

**** To go ahead with this quote please make deposit payment. To pay by card call us on 01534 768141 ****

Direct Deposit - Sort Code: 60-12-03 Account: 66577772

If you have any queries please call us on 01534 768141 or visit our showroom Rue des Pres Trading Estate St Saviour

** For Our Terms & Conditions of Sale please go to www.cpinteriors.je **

Subtotal	£ 9,329.00
GST	£ 466.45
Total	£ 9,795.45
Paid amount	£ 0.00
Total amount	£ 9,795.45

Please note: This quotation is only valid for acceptance for 7 days. Our estimate does not include any electrical work or additional carpentry work to install the above unless otherwise specified. Please note there is a handling charge on customer own fabric of £7.50 per metre. Due to high costs of labour, pre-arranged missed fitting appointments will be charged on a time-wasted basis. Settlement is due on completion of works and an administration charge of £25 will be added per month if unpaid within 30 days. We reserve the right to charge for design, advice and liaison work carried out should an order not be placed. Goods remain the property of CP Interiors until full settlement is received. Should payment not be received we reserve the right to attend premises during working hours to remove goods and not be required to make good. Our full terms and conditions apply and are available on request.

weinor Ltd 73 Cornhill EC3V 3QQ London

C P Interiors

**Rue Des Pres Trading Estate
GB-JE2 7QN St Saviour Jersey**

delivery address

DSV Road Ltd
(NO UPS)
10 Brunel Way, Segensworth Industrial Estate
GB-PO15 5TX Hampshire, Fareham
NO UPS

ORDER CONFIRMATION (release 1)

sales order no.: 202916114 of 01.07.2025
customer: 165708
reference: Myles Opal Option
Your order no.: SO16850
contact person: William Abbott
E-Mail: WAbbott@weinor.de
phone number: +49-221-59709-472
representat. 654 Chris Spickett
tel (representat.): 0044 (0) 7894443907

pos	quantity	article code
-----	----------	--------------

1	1,00	1894	Opal Design II LED
---	------	------	--------------------

Anticipated delivery	: 04.08.2025		
Product use	: private house		
width [cm]	: 650	cm	
Projection [cm]	: 400	cm	5.031,00
Basic colour	: WT029/80077 Approx. DB 703 Metallic		
Folding arm design	: Arm with LongLife technology and high-tech belt		
Number of lamps (total)	: 11	Piece	
Anzahl Arme	: 2	arms	
insulation [mm]	: 0	mm	
bracket type 1	: wall bracket compl. 300 mm Opal Design II		
number of brackets 1	: 2	Piece	114,00
Bracket type 2	: wall fixing 150 mm Opal Design II		
number of brackets 2	: 1	Piece	41,00

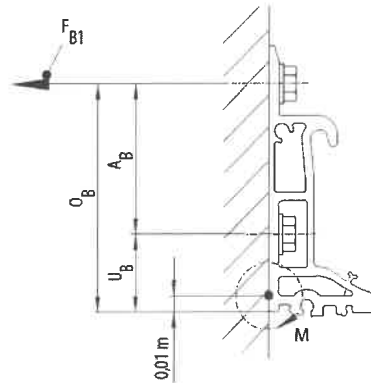
weinor Ltd
73 Cornhill
GB-EC3V 3QQ London
weinor.com

Managing Director:
Tim Fuldner
General partner:
Weinor Beteiligungs-GmbH
Köln

VAT no.: 335 2381 16
Company no.: 12193066
UTR no.: 33431 24084
EORI no.: GB335238116000

Domestic transfers:
Commerzbank London
Sort Code: 406201
Account Number: 307 537 10

International transfers:
Commerzbank London
IBAN: GB51 COBA 4062 0130 7537 10
Swift: MIDLGB22 a/c COBAGB2X



Force 1 means the pull-out force per upper fastener F(B).

FB1 Force 1 per fixing point : 2945 N
 M = Torque per folding arm : 1496 Nm

Please note that your selected awning configuration results in the following forces per upper fixing point (pull-out, lateral and/or shear forces). These must be accounted for by using suitable fixings.

bracket position left 1st array	: 59	cm	
bracket position center 1st array	: 325	cm	
bracket position right 1st array	: 59	cm	
type of control	: Remote-controlled motor IO Homecontrol		139,00
Side of control (seen from the front)	: right		
light receiver	: with remote-controlled receiver for lighting		474,00
Lighting receiver type	: Lighting Receiver Variation io dimmable		
control	: hand transmitter Situo 5 io II by weinor		96,00
Hirschmann plug?	: without Hirschmann plug		
Type of engine	: Motor Sfy Sunea60 io 55/17- 78We-		
Somfy radio wind sensor io	: with Somfy Eolis 3D WireFree io; black housing		201,00
Wall connection seal	: with wall connection		123,50
real-design	: WE4-208	grey/lemon, my collections 2	
colour of thread Saba	: light beige		

weinor Ltd 73 Cornhill EC3V 3QQ London

customer: 165708 sales order 202916114

Page 3 of 3

pos	quantity	article code
-----	----------	--------------

Glue fabric?	: no, sewn fabric
Cardboard container	: edges reinforcement
weight	: 115 kg

value of goods	discount amount / %	net		
6.219,50	2.487,80 / 40,00	3.731,70		
value of goods	discount amount	net	VAT (0 %)	Total GBP
6.219,50	2.487,80	3.731,70	0,00	3.731,70

Our spoken and written advice focuses on an explanation of the best possible use of our products and services. It does not liberate you from the obligation to check fitness of our products and services for your particular purpose. That includes the inspection of the general condition and especially maximum capacity load of fixing base as well as forwarding all respective information in addition to your order to weinor. That way delivery of the correct type and number of brackets is guaranteed. If our product can not be used as upon agreement due to false or lacking information we or any auxiliary person do accept contractual or non-contractual liabilities only in case of malicious intent or gross negligence.

In order to mount all brackets corresponding their fixing base you will need suitable mounting systems. For mounting on concrete C20/25 we recommend heavy duty anchor-systems from fischer (e.g. FAZ II M12/10 GS or FAZ II M12/30 GS). In case of mounting on any other base referred to in our pricelist or on frontal concrete ceiling we recommend the use of injection systems from fischer (e.g. FIS V 360 S). You can order them directly from us.

If you use a different mounting system or your own brackets, you will need a table of pull-out resistance of screw anchors in order to determine the working load.

In addition, our General Terms of Delivery and Payment as per 01/2024, published under the link provided below are valid and we are happy to provide you with them free of charge upon request.

<https://www.weinor.com/terms-and-conditions/>

delivery exw Cologne
 payment: With direct debit 5% discount payment
 mode of dispatch UK export

weinor Ltd
 73 Cornhill
 GB-EC3V 3QQ London
 weinor.com

Managing Director:
 Tim Földner
 General partner:
 Weinor Beteiligungs-GmbH
 Köln

VAT no.: 335 2381 16
 Company no.: 12193066
 UTR no.: 33431 24084
 EORI no.: GB335238116000

Domestic transfers:
 Commerzbank London
 Sort Code: 406201
 Account Number: 307 537 10

International transfers:
 Commerzbank London
 IBAN: GB51 COBA 4062 0130 7537 10
 Swift: MIDLGB22 a/c COBAGB2X

Configuration details

weinor Ltd 73 Cornhill EC3V 3QQ London

C P Interiors

Rue Des Pres Trading Estate
GB-JE2 7QN St Saviour Jersey

reference: Myles Opal Option
Your order no.: SO16850
weinor customernumber: 165708
creation Date: 20.06.2025
weinor pers. in charge: William Abbott
phone / fax number: +49-221-59709-472
representat.: Chris Spickett
tel (representat.): 0044 (0) 7894443907

pos	quantity	article	price
1	1	weinor Opal Design II LED	6.219,50

Product use	: private house	
width (cm)	: 650 cm	
Projection [cm]	: 400 cm	5.031,00
Base colour	: WT029/80077 Approx. DB 703 Metallic	
Folding arm design	: Arm with LongLife technology and high-tech belt	
Number of lamps (total)	: 11 Piece	
no. of arms	: 2 arms	
insulation [mm]	: 0 mm	
bracket type 1	: wall bracket compl. 300 mm Opal Design II	
number of brackets 1	: 2 Piece	114,00
Bracket type 2	: wall fixing 150 mm Opal Design II	
No. of brackets 2	: 1 Piece	41,00
FB1 Force 1 per fixing point	: 2945 N	
Torque per folding arm [Nm]	: 1496 Nm	
bracket position left 1st array	: 59 cm	
bracket position centre 1st array	: 325 cm	
bracket position right 1st array	: 59 cm	
type of control	: Remote-controlled motor IO Homecontrol	139,00
Side of control (seen from the front)	: right	
light receiver	: with remote-controlled receiver for lighting	474,00
Lighting receiver type	: Lighting Receiver Variation io dimmable	
control	: hand transmitter Situo 5 io II by weinor	96,00
Hirschmann plug?	: without Hirschmann plug	
type of motor	: Motor Sfy Sunea60 io 55/17- 78We-	
Somfy radio wind sensor io	: with Somfy Eolis 3D WireFree io; black housing	201,00

weinor Ltd
73 Cornhill
GB-EC3V 3QQ London
weinor.com

Managing Director:
Tim Fuldner
General partner:
Weinor Beteiligungs-GmbH
Köln

VAT no.: 335 238116
Company no.: 12193066
UTR no.: 33431 24084
EORI no.: GB335238116000

Domestic transfers:
Commerzbank London
Sort Code: 406201
Account Number: 307 537 10

International transfers:
Commerzbank London
IBAN: GB51 COBA 4062 0130 7537 10
Swift: MIDLGB22 a/c COBAGB2X

RB checked

Configuration details

weinor Ltd 73 Cornhill EC3V 3QQ London

customer: 165708 reference: Myles Opal Option Page 2 of 2
pos quantity article price

Wall connection seal : with wall connection 123,50
 real-design : WE4-208
 colour of thread Saba : light beige
 Glue fabric? : no, sewn fabric
 Cardboard packaging : edges reinforcement
 weight : 115 kg

	value of goods	discount amount / %	net
	6.219,50	2.487,80 / 40,00	3.731,70

value of goods GBP	discount amount	net GBP	VAT (0 %)	Total GBP
6.219,50	2.487,80	3.731,70	0,00	3.731,70

£9,329

