

weinor Ltd 73 Cornhill EC3V 3QQ London

C P Interiors

**Rue Des Pres Trading Estate
GB-JE2 7QN St Saviour Jersey**

delivery address

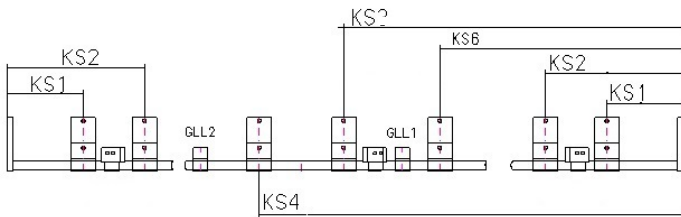
DSV Road Ltd
(NO UPS)
10 Brunel Way, Segensworth Industrial Estate
GB-PO15 5TX Hampshire, Fareham
NO UPS

ORDER CONFIRMATION (release 1)

sales order no.: 202913395 of 19.06.2025
customer: 165708
reference: BLAKES
Your order no.: SO16579
contact person: William Abbott
E-Mail: WAbbott@weinor.de
phone number: +49-221-59709-472
representat.: 654 Chris Spickett
tel (representat.): 0044 (0) 7894443907

pos	quantity	article code
-----	----------	--------------

1	1,00	1540 I 2000
---	------	-------------



Anticipated delivery	: 04.08.2025		
Product use	: gastronomy		
width [cm]	: 700	cm	
Number of units	: one-piece		
Projection [cm]	: 270	cm	4.651,00
Basic colour	: WT029/80081 Iron Glimmer Effect P 7		
Anzahl Arme	: 3	Piece	
insulation [mm]	: 0	mm	
bracket type 1	: wall bracket 85 mm compl.		
number of brackets 1	: 7	Piece	175,00

weinor Ltd
73 Cornhill
GB-EC3V 3QQ London
weinor.com

Managing Director:
Tim Fuldner
General partner:
Weinor Beteiligungs-GmbH
Köln

VAT no.: 335 2381 16
Company no.: 12193066
UTR no.: 33431 24084
EORI no.: GB335238116000

Domestic transfers:
Commerzbank London
Sort Code: 406201
Account Number: 307 537 10

International transfers:
Commerzbank London
IBAN: GB51 COBA 4062 0130 7537 10
Swift: MIDLGB22 a/c COBAGB2X

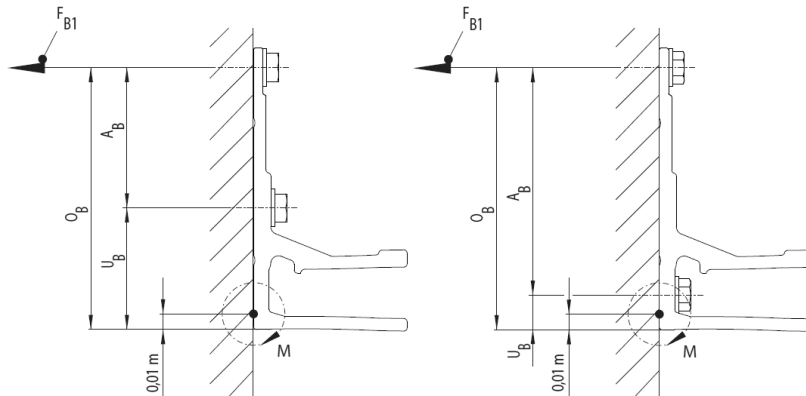


weinor Ltd 73 Cornhill EC3V 3QQ London

customer: 165708 sales order 202913395

Page 2 of 6

pos quantity article code



Force 1 means the pull-out force per upper fastener F(B).

FB1 Force 1 per fixing point : 1741 N
 M = Torque per folding arm : 550 Nm

Please note that your selected awning configuration results in the following forces per upper fixing point (pull-out, lateral and/or shear forces). These must be accounted for by using suitable fixings.

Bracket position KS 1 left [mm]	: 460	mm	
bracket position KS 1 right [mm]	: 460	mm	
bracket position KS 2 left [mm]	: 670	mm	
bracket position KS 2 right [mm]	: 670	mm	
Info	: Caution: K3, K4 and K6 (if stated) measured from the drive side!		
bracket position KS 6	: 2040	mm	
bracket position KS 7	: 2370	mm	
bracket position KS 8	: 4705	mm	
arm position A1 left	: 550	mm	
arm position A1 right	: 550	mm	
Arm position A2	: 2250	mm	
type of control	: Remote-controlled motor IO Homecontrol		139,00
Side of control (seen from the front)	: left		
Hirschmann plug?	: without Hirschmann plug		
control	: hand transmitter Situo 5 io II by weinor		96,00

weinor Ltd
 73 Cornhill
 GB-EC3V 3QQ London
 weinor.com

Managing Director:
 Tim Fuldner
 General partner:
 Weinor Beteiligungs-GmbH
 Köln

VAT no.: 335 2381 16
 Company no.: 12193066
 UTR no.: 33431 24084
 EORI no.: GB335238116000

Domestic transfers:
 Commerzbank London
 Sort Code: 406201
 Account Number: 307 537 10

International transfers:
 Commerzbank London
 IBAN: GB51 COBA 4062 0130 7537 10
 Swift: MIDLGB22 a/c COBAGB2X

weinor Ltd 73 Cornhill EC3V 3QQ London

customer: 165708 sales order 202913395

Page 3 of 6

pos	quantity	article code
-----	----------	--------------

Type of engine	:	Motor Sfy Sunea60 io 55/17- 78We-	
Somfy radio wind sensor io	:	with Somfy Eolis 3D WireFree io; black housing	201,00
real-design	:	DI8238 plain dark blue	491,40
Glue fabric?	:	no, sewn fabric	
colour of thread Saba	:	black	
valance model	:	with valance	84,00
shape	:	straight	
valance pattern repeat	:	standard	Pattern
depth of valance [cm]	:	20	cm
binding tape standard	:	75 naval blue	
colour of thread Saba binding tape	:	dark blue	
colour of thread Saba valance	:	black	
Cardboard container	:	edges reinforcement	
weight	:	122	kg

value of goods	discount amount / %	net
5.837,40	2.334,96 / 40,00	3.502,44

weinor Ltd
73 Cornhill
GB-EC3V 3QQ London
weinor.com

Managing Director:
Tim Földner
General partner:
Weinor Beteiligungs-GmbH
Köln

VAT no.: 335 2381 16
Company no.: 12193066
UTR no.: 33431 24084
EORI no.: GB335238116000

Domestic transfers:
Commerzbank London
Sort Code: 406201
Account Number: 307 537 10

International transfers:
Commerzbank London
IBAN: GB51 COBA 4062 0130 7537 10
Swift: MIDLGB22 a/c COBAGB2X



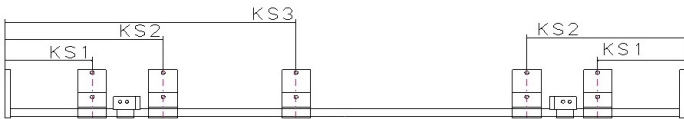
weinor Ltd 73 Cornhill EC3V 3QQ London

customer: 165708 sales order 202913395

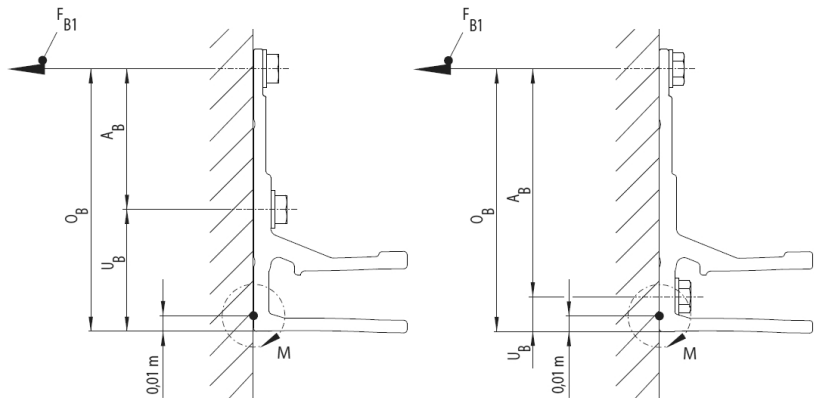
Page 4 of 6

pos quantity article code

2 1,00 1540 I 2000



Anticipated delivery	: 04.08.2025		
Product use	: gastronomy		
width [cm]	: 530	cm	
Projection [cm]	: 250	cm	3.490,00
Basic colour	: WT029/80081 Iron Glimmer Effect P 7		
Anzahl Arme	: 2	Piece	
insulation [mm]	: 0	mm	
bracket type 1	: wall bracket 85 mm compl.		
number of brackets 1	: 3	Piece	75,00



Force 1 means the pull-out force per upper fastener F(B).

FB1 Force 1 per fixing point	: 3057	N
M = Torque per folding arm	: 483	Nm

Please note that your selected awning configuration results in the following forces per upper fixing point (pull-out, lateral and/or shear forces). These must be accounted for by using suitable fixings.

weinor Ltd
73 Cornhill
GB-EC3V 3QQ London
weinor.com

Managing Director:
Tim Fuldner
General partner:
Weinor Beteiligungs-GmbH
Köln

VAT no.: 335 2381 16
Company no.: 12193066
UTR no.: 33431 24084
EORI no.: GB335238116000

Domestic transfers:
Commerzbank London
Sort Code: 406201
Account Number: 307 537 10

International transfers:
Commerzbank London
IBAN: GB51 COBA 4062 0130 7537 10
Swift: MIDLGB22 a/c COBAGB2X

weinor Ltd 73 Cornhill EC3V 3QQ London

customer: 165708 sales order 202913395

Page 5 of 6

pos	quantity	article code
-----	----------	--------------

Bracket position KS 1 left [mm]	: 440	mm	
bracket position KS 1 right [mm]	: 440	mm	
bracket position KS 3 [mm]	: 2505	mm	
arm position A1 left	: 530	mm	
arm position A1 right	: 530	mm	
type of control	: Remote-controlled motor IO Homecontrol		139,00
Side of control (seen from the front)	: right		
Hirschmann plug?	: without Hirschmann plug		
control	: without control		
info about radio engine without hand transmitter	: A suitable hand-held transmitter is required to operate the remote-controlled motor! The awning cannot be opened or retracted without a transmitter		
Type of engine	: Motor Sfy Sunea60 io 55/17- 78We-		
Somfy radio wind sensor io	: with Somfy Eolis 3D WireFree io; black housing		201,00
real-design	: DI8238	plain dark blue	344,50
Glue fabric?	: no, sewn fabric		
colour of thread Saba	: black		
valance model	: with valance		66,00
shape	: straight		
valance pattern repeat	: standard	Pattern	
depth of valance [cm]	: 20	cm	
binding tape standard	: 75 naval blue		
colour of thread Saba binding tape	: dark blue		
colour of thread Saba valance	: black		
Cardboard container	: edges reinforcement		
weight	: 91	kg	

value of goods	discount amount / %	net
4.315,50	1.726,20 / 40,00	2.589,30

weinor Ltd
73 Cornhill
GB-EC3V 3QQ London
weinor.com

Managing Director:
Tim Fuldner
General partner:
Weinor Beteiligungs-GmbH
Köln

VAT no.: 335 2381 16
Company no.: 12193066
UTR no.: 33431 24084
EORI no.: GB335238116000

Domestic transfers:
Commerzbank London
Sort Code: 406201
Account Number: 307 537 10

International transfers:
Commerzbank London
IBAN: GB51 COBA 4062 0130 7537 10
Swift: MIDLGB22 a/c COBAGB2X

weinor Ltd 73 Cornhill EC3V 3QQ London

customer: 165708 sales order 202913395

Page 6 of 6

pos	quantity	article code
-----	----------	--------------

value of goods	discount amount	net	VAT (0 %)	Total GBP
10.152,90	4.061,16	6.091,74	0,00	6.091,74

Our spoken and written advice focuses on an explanation of the best possible use of our products and services. It does not liberate you from the obligation to check fitness of our products and services for your particular purpose. That includes the inspection of the general condition and especially maximum capacity load of fixing base as well as forwarding all respective information in addition to your order to weinor. That way delivery of the correct type and number of brackets is guaranteed. If our product can not be used as upon agreement due to false or lacking information we or any auxiliary person do accept contractual or non-contractual liabilities only in case of malicious intent or gross negligence.

In addition, our General Terms of Delivery and Payment as per 01/2024, published under the link provided below are valid and we are happy to provide you with them free of charge upon request.

<https://www.weinor.com/terms-and-conditions/>

delivery exw Cologne
 payment: With direct debit 5% discount payment
 mode of dispatch UK export

weinor Ltd
 73 Cornhill
 GB-EC3V 3QQ London
 weinor.com

Managing Director:
 Tim Földner
 General partner:
 Weinor Beteiligungs-GmbH
 Köln

VAT no.: 335 2381 16
 Company no.: 12193066
 UTR no.: 33431 24084
 EORI no.: GB335238116000

Domestic transfers:
 Commerzbank London
 Sort Code: 406201
 Account Number: 307 537 10

International transfers:
 Commerzbank London
 IBAN: GB51 COBA 4062 0130 7537 10
 Swift: MIDLGB22 a/c COBAGB2X