



# CP INTERIORS

## QUOTE

**To:**  
John & Karen Hughes  
Sunbrayton  
La Route Orange  
St. Brelade  
Jersey  
JE3 8GP

**Job Number:** SO16606 Q1

**Quote Date:** Friday 21 Mar 2025

**Customer Reference:**

**Deposit required:** £ 3,761.10

~~Awning - Option 1 - Opal~~  
Design II

**Your Contact:** Tamara

Our Price Promise to you

We are so confident our pricing is competitive, that we will beat any written quotation for equivalent product by 5%

**To supply and fit unless otherwise stated.**

Location	Product	Description	Qty	Price
----------	---------	-------------	-----	-------

OPTION 1 - Opal Design II

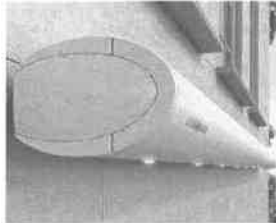
**Awning / Canopy**

Weinor Opal Design II electrically operated awning with full cassette and vibration sensor, powder coated in 029/90146, in A/3-720 Flint. Motor side TBC. Size 6m wide x 4m projection. Includes remote.

1

£ 7,164.00

Handwritten note in a circle: "Wall Connection? Confirmed for Ben on WhatsApp on 16/05/25"



\*Electrical works not included\*

\*\*Please note that the Valance Plus option is not available due to the projection being out of specifications\*\* maximum 8m.

\*\*\*Photo only for reference. This quote is based on the option without LED lights\*\*\*

**Terms:** 50% deposit due with order, 50% on completion

**Subtotal** £ 7,164.00

**\*\* To go ahead with this quote please make deposit payment. To pay by card call us on 01534 768141 \*\***

**GST** £ 358.20

Direct Deposit - Sort Code: 60-12-03 Account: 66577772

**Total** £ 7,522.20

If you have any queries please call us on 01534 768141 or visit our showroom Rue des Pres Trading Estate St Saviour

**Paid amount** £ 0.00

**\*\* For Our Terms & Conditions of Sale please go to www.cpinteriors.je \*\***

**Total amount** £ 7,522.20

Please note: This quotation is only valid for acceptance for 7 days. Our estimate does not include any electrical work or additional carpentry work to install the above unless otherwise specified. Please note there is a handling charge on customer own fabric of £7.50 per metre. Due to high costs of labour, pre-arranged missed fitting appointments will be charged on a time-wasted basis. Settlement is due on completion of works and an administration charge of £25 will be added per month if unpaid within 30 days. We reserve the right to charge for design, advice and liaison work carried out should an order not be placed. Goods remain the property of CP Interiors until full settlement is received. Should payment not be received we reserve the right to attend premises during working hours to remove goods and not be required to make good. Our full terms and conditions apply and are available on request.



weinor Ltd 73 Cornhill EC3V 3QQ London

### C P Interiors

**Rue Des Pres Trading Estate  
GB-JE2 7QN St Saviour Jersey**

#### delivery address

DSV Road Ltd  
(NO UPS)  
10 Brunel Way, Segensworth Industrial Estate  
GB-PO15 5TX Hampshire, Fareham  
NO UPS

### ORDER CONFIRMATION (release 1)

sales order no.: 202905662 of 16.05.2025  
customer: 165708  
reference: Hughes  
Your order no.: SO16606  
contact person: William Abbott  
E-Mail: WAbbott@weinor.de  
phone number: +49-221-59709-472  
representat. 654 Chris Spickett  
tel (representat.): 0044 ( 0) 7894443907

pos	quantity	article code
-----	----------	--------------

1	1,00	1883	Opal Design II
---	------	------	----------------

Anticipated delivery	: 09.06.2025		
Product use	: private house		
width [cm]	: 600	cm	
Projection [cm]	: 400	cm	4.126,00
Basic colour	: WT029/90146 Approx. RAL 9006 Metallic		
Folding arm design	: Arm with LongLife technology and high-tech belt		
no. of arms	: 2	arms	
insulation [mm]	: 0	mm	
bracket type 1	: wall fixing 150 mm Opal Design II		
number of brackets 1	: 3	Piece	123,00

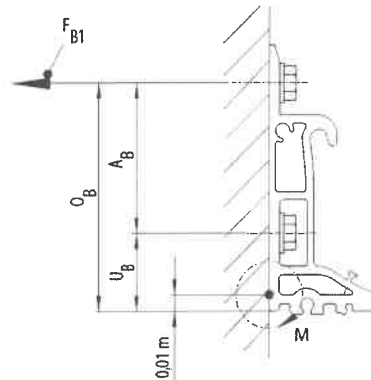
weinor Ltd  
73 Cornhill  
GB-EC3V 3QQ London  
weinor.com

Managing Director:  
Tim Földner  
General partner:  
Weinor Beteiligungs-GmbH  
Köln

VAT no.: 335 2381 16  
Company no.: 12193066  
UTR no.: 33431 24084  
EORI no.: GB335238116000

**Domestic transfers:**  
Commerzbank London  
Sort Code: 406201  
Account Number: 307 537 10

**International transfers:**  
Commerzbank London  
IBAN: GB51 COBA 4062 0130 7537 10  
Swift: MIDLGB22 a/c COBAGB2X



**Force 1 means the pull-out force per upper fastener F(B).**

FB1 Force 1 per fixing point	: 5487	N
M = Torque per folding arm	: 1394	Nm

**Please note that your selected awning configuration results in the following forces per upper fixing point (pull-out, lateral and/or shear forces). These must be accounted for by using suitable fixings.**

bracket position left 1st array	: 46,2	cm
bracket position center 1st array	: 300	cm
bracket position right 1st array	: 46,2	cm
type of control	: Remote-controlled motor IO Homecontrol	139,00
Side of control (seen from the front)	: right	
Hirschmann plug?	: without Hirschmann plug	
control	: hand transmitter Situo 1 io II by weinor	73,00
Type of engine	: Motor Sfy Sunea60 io 55/17- 78We-	
Somfy radio wind sensor io	: with Somfy Eolis 3D WireFree io; black housing	201,00
wall connection	: with wall connection	114,00
real-design	: WE3-720	my collections
colour of thread Saba	: dark grey	
Cardboard container	: edges reinforcement	
weight	: 107	kg

pos	quantity	article code
-----	----------	--------------

value of goods	discount amount / %	net
----------------	---------------------	-----

4.776,00	1.910,40 / 40,00	2.865,60
----------	------------------	----------

value of goods	discount amount	net	VAT (0 %)	Total GBP
4.776,00	1.910,40	2.865,60	0,00	2.865,60

Our spoken and written advice focuses on an explanation of the best possible use of our products and services. It does not liberate you from the obligation to check fitness of our products and services for your particular purpose. That includes the inspection of the general condition and especially maximum capacity load of fixing base as well as forwarding all respective information in addition to your order to weinor. That way delivery of the correct type and number of brackets is guaranteed. If our product can not be used as upon agreement due to false or lacking information we or any auxiliary person do accept contractual or non-contractual liabilities only in case of malicious intent or gross negligence.

In order to mount all brackets corresponding their fixing base you will need suitable mounting systems. For mounting on concrete C20/25 we recommend heavy duty anchor-systems from fischer (e.g. FAZ II M12/10 GS or FAZ II M12/30 GS). In case of mounting on any other base referred to in our pricelist or on frontal concrete ceiling we recommend the use of injection systems from fischer (e.g. FIS V 360 S). You can order them directly from us.

If you use a different mounting system or your own brackets, you will need a table of pull-out resistance of screw anchors in order to determine the working load.

In addition, our General Terms of Delivery and Payment as per 01/2024, published under the link provided below are valid and we are happy to provide you with them free of charge upon request.

<https://www.weinor.com/terms-and-conditions/>

delivery exw Cologne  
 payment: With direct debit 5% discount payment  
 mode of dispatch UK export

## Configuration details

weinor Ltd 73 Cornhill EC3V 3QQ London

### C P Interiors

**Rue Des Pres Trading Estate  
GB-JE2 7QN St Saviour Jersey**

reference: Hughes  
Your order no.: SO16606  
weinor customernumber: 165708  
creation Date: 15.05.2025  
weinor pers. in charge: William Abbott  
phone / fax number: +49-221-59709-472  
representat.: Chris Spickett  
tel (representat.): 0044 ( 0) 7894443907

pos	quantity	article	price
1	1	weinor Opal Design II	4.776,00
Product use : private house width [cm] : 600 cm Projection [cm] : 400 cm Basic colour : WT029/90146 Approx. RAL 9006 Metallic Folding arm design : Arm with LongLife technology and high-tech belt no. of arms : 2 arms insulation [mm] : 0 mm bracket type 1 : wall fixing 150 mm Opal Design II number of brackets 1 : 3 Piece FB1 Force 1 per fixing point : 5487 N M = Torque per folding arm : 1394 Nm bracket position left 1st array : 46,2 cm bracket position center 1st array : 300 cm bracket position right 1st array : 46,2 cm type of control : Remote-controlled motor IO Homecontrol Side of control (seen from the front) : right Hirschmann plug? : without Hirschmann plug control : hand transmitter Situo 1 io II by weinor Type of engine : Motor Sfy Sunea60 io 55/17- 78We- Somfy radio wind sensor io : with Somfy Eolis 3D WireFree io; black housing wall connection : with wall connection real-design : WE3-720 my collections colour of thread Saba : dark grey Cardboard container : edges reinforcement weight : 107 kg			
			4.126,00
			123,00
			139,00
			73,00
			201,00
			114,00

weinor Ltd  
73 Cornhill  
GB-EC3V 3QQ London  
weinor.com

Managing Director:  
Tim Földner  
General partner:  
Weinor Beteiligungs-GmbH  
Köln

VAT no.: 335 2381 16  
Company no.: 12193066  
UTR no.: 33431 24084  
EORI no.: GB335238116000

**Domestic transfers:**  
Commerzbank London  
Sort Code: 406201  
Account Number: 307 537 10

**International transfers:**  
Commerzbank London  
IBAN: GB51 COBA 4062 0130 7537 10  
Swift: MIDLGB22 a/c COBAGB2X

## Configuration details

weinor Ltd 73 Cornhill EC3V 3QQ London

customer: 165708 reference: Hughes Page 2 of 2

pos	quantity	article	value of goods	discount amount / %	net price
			4.776,00	1.910,40 / 40,00	2.865,60

value of goods GBP	discount amount	net GBP	VAT (0 %)	Total GBP
4.776,00	1.910,40	2.865,60	0,00	2.865,60

# Work Diary.

**Staff Name:** Adrian  
**Order No:** SO16606  
**Supplier:** Measurer  
**Contact Address:** Mr & Mrs John & Karen, HughesSunbrayton, La Route Orange, St. Brelade, Jersey, JE3 8GP, 07797726977, kebug123@gmail.com  
**Customer Ref:** 13-03-2025  
**Date:** 13-03-2025  
**Time:** AM

**Contact Address:** Mr & Mrs John & Karen, HughesSunbrayton, La Route Orange, St. Brelade, Jersey, JE3 8GP, 07797726977, kebug123@gmail.com  
**Contact Address:** Mr & Mrs John & Karen, HughesSunbrayton, La Route Orange, St. Brelade, Jersey, JE3 8GP, 07797726977, kebug123@gmail.com

**Notes:** To advise and measure for awnings

Location	Supplier	Blind Type /Description	Colour	Qty	Width	Drop	Fitting Height	B or R	Controls	Brackets	Surface	Unit Price
STANBOL		UPRA AERSA		1	4000	4000			RHS	confirmed by	Ryan	
		<del>UPRA VENTURE</del>	<del>Blue</del>		6000!					Aston over the phone on		
		<del>UPRA VENTURE</del>	<del>Blue</del>		NO OPTION UNLESS	6 x 3m				15/05/25 (I sent email		
		<del>UPRA VENTURE</del>	<del>Blue</del>							to him to confirm)		
		<del>UPRA VENTURE</del>	<del>Blue</del>									
17th		Paintwork	Blue	4	1485	1282	GD+2 UR					
SO16606		Cos A	White	1	1485	1485			4 sided			
		<del>FC Sley</del>	<del>White</del>	<del>1</del>	<del>1525</del>	<del>1280</del>	<del>GD+2 UR</del>		<del>the sill plate</del>			
		<del>tiff</del>										

**Comments:** 029190148  
 AFB-720 Flint

**Surface Fixing**  
 C=Concrete  
 W=Wood  
 M=Metal  
 B=Brick  
 P=Plastic  
 T=Tile

**Order**

**Quote**

**Customer Signature**  
 X  
 I have checked and agree with the above choices

**Target Fitting Date**



## Configuration details

weinor Ltd 73 Cornhill EC3V 3QQ London

customer: 165708 reference: Hughes Page 3 of 3  
**pos quantity article price**

**2 1 weinor Opal Design II 4.776,00**

Scheduling delivery : Please contact your person in charge for planning the expected date of delivery.

Product use : private house

width [cm] : 600 cm

Projection [cm] : 400 cm 4.126,00

Basic colour : WT029/90146 Approx. RAL 9006 Metallic

Folding arm design : Arm with LongLife technology and high-tech belt

no. of arms : 2 arms

insulation [mm] : 0 mm

bracket type 1 : wall fixing 150 mm Opal Design II

number of brackets 1 : 3 Piece 123,00

FB1 Force 1 per fixing point : 5487 N

M = Torque per folding arm : 1394 Nm

bracket position left 1st array : 46,2 cm

bracket position center 1st array : 300 cm

bracket position right 1st array : 46,2 cm

type of control : Remote-controlled motor IO Homecontrol 139,00

Side of control (seen from the front) : left

Hirschmann plug? : without Hirschmann plug

control : hand transmitter Situo 1 io II by weinor 73,00

Type of engine : Motor Sfy Sunea60 io 55/17- 78We-

Somfy radio wind sensor io : with Somfy Eolis 3D WireFree io; black housing 201,00

wall connection : with wall connection 114,00

real-design : WE3-720 my collections

colour of thread Saba : dark grey

Cardboard container : edges reinforcement

weight : 107 kg

value of goods	discount amount / %	net
4.776,00	1.910,40 / 40,00	2.865,60

value of goods GBP	discount amount	net GBP	VAT (0 %)	Total GBP
9.552,00	6.686,40	2.865,60	0,00	2.865,60

weinor Ltd  
73 Cornhill  
GB-EC3V 3QQ London  
weinor.com

Managing Director:  
Tim Fuldner  
General partner:  
Weinor Beteiligungs-GmbH  
Köln

VAT no.: 335 2381 16  
Company no.: 12193066  
UTR no.: 33431 24084  
EORI no.: GB335238116000

**Domestic transfers:**  
Commerzbank London  
Sort Code: 406201  
Account Number: 307 537 10

**International transfers:**  
Commerzbank London  
IBAN: GB51 COBA 4062 0130 7537 10  
Swift: MIDLGB22 a/c COBAGB2X

## Configuration details

weinor Ltd 73 Cornhill EC3V 3QQ London

### C P Interiors

**Rue Des Pres Trading Estate  
GB-JE2 7QN St Saviour Jersey**

reference: Hughes LED  
 Your order no.: SO16606  
 weinor customernumber: 165708  
 creation Date: 21.03.2025  
 weinor pers. in charge: William Abbott  
 phone / fax number: +49-221-59709-472  
 representat.: Chris Spickett  
 tel (representat.): 0044 ( 0) 7894443907

pos	quantity	article	price
1	1	<b>weinor Opal Design II LED</b>	<b>6.007,00</b>
		Scheduling delivery : Please contact your person in charge for planning the expected date of delivery.	
		Product use : private house	
		width [cm] : 600 cm	
		Projection [cm] : 400 cm	4.860,00
		Basic colour : WT029/90146 Approx. RAL 9006 Metallic	
		Folding arm design : Arm with LongLife technology and high-tech belt	
		Number of lamps (total) : 10 Piece	
		no. of arms : 2 arms	
		insulation [mm] : 0 mm	
		bracket type 1 : wall fixing 150 mm Opal Design II	
		number of brackets 1 : 3 Piece	123,00
		FB1 Force 1 per fixing point : 5487 N	
		M = Torque per folding arm : 1394 Nm	
		bracket position left 1st array : 61,5 cm	
		bracket position center 1st array : 300 cm	
		bracket position right 1st array : 61,5 cm	
		type of control : Remote-controlled motor IO Homecontrol	139,00
		Side of control (seen from the front) : right	
		light receiver : with remote-controlled receiver for lighting	474,00
		Lighting receiver type : Lighting Receiver Variation io dimmable	
		control : hand transmitter Situo 5 io II by weinor	96,00
		Hirschmann plug? : without Hirschmann plug	
		Type of engine : Motor Sfy Sunea60 io 55/17- 78We-	
		Somfy radio wind sensor io : with Somfy Eolis 3D WireFree io; black housing	201,00

weinor Ltd  
73 Cornhill  
GB-EC3V 3QQ London  
weinor.com

Managing Director:  
Tim Fuldner  
General partner:  
Weinor Beteiligungs-GmbH  
Köln

VAT no.: 335 2381 16  
Company no.: 12193066  
UTR no.: 33431 24084  
EORI no.: GB335238116000

**Domestic transfers:**  
Commerzbank London  
Sort Code: 406201  
Account Number: 307 537 10

**International transfers:**  
Commerzbank London  
IBAN: GB51 COBA 4062 0130 7537 10  
Swift: MIDLGB22 a/c COBAGB2X

## Configuration details

weinor Ltd 73 Cornhill EC3V 3QQ London

customer: 165708 reference: Hughes LED Page 2 of 2

pos	quantity	article	price
		Wall connection seal real-design colour of thread Saba Glue fabric? Cardboard container weight	114,00
		: with wall connection : WE3-720 my collections : dark grey : no, sewn fabric : edges reinforcement : 107 kg	

value of goods	discount amount / %	net
6.007,00	2.402,80 / 40,00	3.604,20

*£900*

value of goods GBP	discount amount	net GBP	VAT (0 %)	Total GBP
6.007,00	2.402,80	3.604,20	0,00	3.604,20

## Configuration details

weinor Ltd 73 Cornhill EC3V 3QQ London

## C P Interiors

Rue Des Pres Trading Estate  
GB-JE2 7QN St Saviour Jersey

reference: Hughes Tempura  
 Your order no.: SO16632  
 weinor customernumber: 165708  
 creation Date: 21.03.2025  
 weinor pers. in charge: William Abbott  
 phone / fax number: +49-221-59709-472  
 representat.: Chris Spickett  
 tel (representat.): 0044 ( 0) 7894443907

pos	quantity	article	price
1	1	weinor Opal Design II WITH TEMPURA X2	4.799,00
Scheduling delivery : Please contact your person in charge for planning the expected date of delivery.			
Product use : private house			
width [cm] : 600 cm			
Projection [cm] : 400 cm			
Basic colour : WT029/90146 Approx. RAL 9006 Metallic			
Folding arm design : Arm with LongLife technology and high-tech belt			
no. of arms : 2 arms			
insulation [mm] : 0 mm			
bracket type 1 : wall fixing 150 mm Opal Design II			
number of brackets 1 : 3 Piece			
FB1 Force 1 per fixing point : 5487 N			
M = Torque per folding arm : 1394 Nm			
bracket position left 1st array : 46,2 cm			
bracket position center 1st array : 300 cm			
bracket position right 1st array : 46,2 cm			
type of control : Remote-controlled motor IO Homecontrol			
Side of control (seen from the front) : left			
Hirschmann plug? : without Hirschmann plug			
control : hand transmitter Situo 5 io II by weinor			
Type of engine : Motor Sfy Sunea60 io 55/17- 78We-			
Somfy radio wind sensor io : with Somfy Eolis 3D WireFree io; black housing			
wall connection : with wall connection			
real-design : WE3-720 my collections			
colour of thread Saba : dark grey			

weinor Ltd  
73 Cornhill  
GB-EC3V 3QQ London  
weinor.com

Managing Director:  
Tim Fuldner  
General partner:  
Weinor Beteiligungs-GmbH  
Köln

VAT no.: 335 2381 16  
Company no.: 12193066  
UTR no.: 33431 24084  
EORI no.: GB335238116000

**Domestic transfers:**  
Commerzbank London  
Sort Code: 406201  
Account Number: 307 537 10

**International transfers:**  
Commerzbank London  
IBAN: GB51 COBA 4062 0130 7537 10  
Swift: MIDLGB22 a/c COBAGB2X

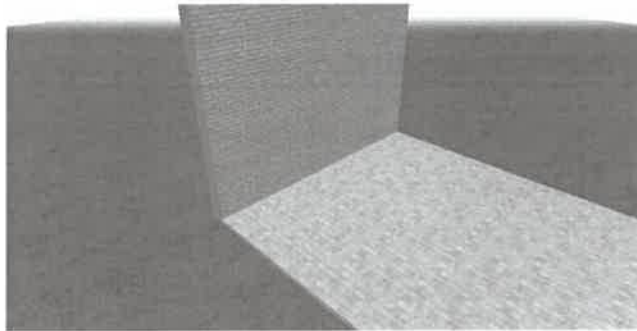
## Configuration details

weinor Ltd 73 Cornhill EC3V3QQ London

customer:	165708	reference:	Hughes Tempura	Page 2 of 3
<b>pos</b>	<b>quantity</b>	<b>article</b>		<b>price</b>
Cardboard container		: edges reinforcement		
weight		: 107 kg		
		value of goods	discount amount / %	net
		4.799,00	1.919,60 / 40,00	2.879,40

£7199

Position 1 - exterior view (images similar)  
Screenshot



## Configuration details

weinor Ltd 73 Cornhill EC3V 3QQ London

customer: 165708 reference: Hughes Tempura Page 3 of 3  
 pos quantity article price

2 2 weinor Tempura 1.172,00

Execution : Tempura 1,5 KW  
 Scheduling delivery : Please contact your person in charge for planning the expected date of delivery.  
 Product use : private house  
 Utilisation : for type Opal  
 width : 50 cm 586,00  
 operation : Standard hard wired - no remote control  
 access : Hirschmann plug (standard)  
 Basic colour : WT029/90146 Approx. RAL 9006 Metallic  
 weight : 2 kg

value of goods	discount amount / %	net
1.172,00	468,80 / 40,00	703,20

value of goods GBP	discount amount	net GBP	VAT (0 %)	Total GBP
5.971,00	2.388,40	3.582,60	0,00	3.582,60

*£1406*



# CP INTERIORS

## QUOTE

**To:**  
 John & Karen Hughes  
 Sunbrayton  
 La Route Orange  
 St. Brelade  
 Jersey  
 JE3 8GP

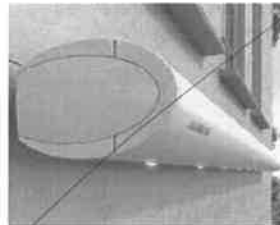
**Job Number:** SO16606 Q2  
**Customer Reference:**  
 Option 2 – Opal Design II LED

**Quote Date:** Friday 21 Mar 2025  
**Deposit required:** £ 4,730.25  
**Your Contact:** Tamara

Our Price Promise to you  
 We are so confident our pricing is competitive, that we will beat any written quotation for equivalent product by 5%

**To supply and fit unless otherwise stated.**

Location	Product	Description	Qty	Price
		OPTION 2 - Opal Design II LED		
	<b>Awning / Canopy</b>	Weinor Opal Design II electrically operated awning with full cassette, LED lights and vibration sensor, powder coated in 029/90146, in A/3-720 Flint. Motor side TBC. Size 6m wide x 4m projection. Includes remote.	1	£ 9,010.00



\*Electrical works not included\*

\*\*Please note that the Valance Plus option is not available due to the projection being out of specifications\*\* *maximum 3m*

**Terms:** 50% deposit due with order, 50% on completion

**\*\* To go ahead with this quote please make deposit payment. To pay by card call us on 01534 768141 \*\***

Direct Deposit - Sort Code: 60-12-03 Account: 66577772

If you have any queries please call us on 01534 768141 or visit our showroom Rue des Pres Trading Estate St Saviour

**\*\* For Our Terms & Conditions of Sale please go to [www.cpinteriors.je](http://www.cpinteriors.je) \*\***

<b>Subtotal</b>	<b>£ 9,010.00</b>
<b>GST</b>	<b>£ 450.50</b>
<b>Total</b>	<b>£ 9,460.50</b>
Paid amount	£ 0.00
<b>Total amount</b>	<b>£ 9,460.50</b>

Please note: This quotation is only valid for acceptance for 7 days. Our estimate does not include any electrical work or additional carpentry work to install the above unless otherwise specified. Please note there is a handling charge on customer own fabric of £7.50 per metre. Due to high costs of labour, pre-arranged missed fitting appointments will be charged on a time-wasted basis. Settlement is due on completion of works and an administration charge of £25 will be added per month if unpaid within 30 days. We reserve the right to charge for design, advice and liaison work carried out should an order not be placed. Goods remain the property of CP Interiors until full settlement is received. Should payment not be received we reserve the right to attend premises during working hours to remove goods and not be required to make good. Our full terms and conditions apply and are available on request.

*S*



# CP INTERIORS

## QUOTE

**To:**  
John & Karen Hughes  
Sunbrayton  
La Route Orange  
St. Brelade  
Jersey  
JE3 8GP

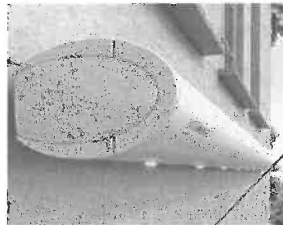
**Job Number:** SO16606 Q3  
**Customer Reference:**  
Option 3- Opal Design II with Tempura heaters

**Quote Date:** Friday 21 Mar 2025  
**Deposit required:** £ 4,517.63  
**Your Contact:** Tamara

Our Price Promise to you  
We are so confident our pricing is competitive, that we will beat any written quotation for equivalent product by 5%

**To supply and fit unless otherwise stated.**

Location	Product	Description	Qty	Price
		OPTION 3 - Opal Design II with Tempura heaters		
	<b>Awning / Canopy</b>	Weinor Opal Design II electrically operated awning with full cassette and vibration sensor, powder coated in 029/90146, in A/3-720 Flint. Motor side TBC. Size 6m wide x 4m projection. Includes remote and 2x Tempura 1,5 KW heaters.	1	£ 8,605.00



\*Electrical works not included\*

\*\*Please note that the Valance Plus option is not available due to the projection being out of specifications\*\* *Morgan 3m*

\*\*\*Photo only for reference. This quote is based on the option without LED lights\*\*\*

**Terms:** 50% deposit due with order, 50% on completion

**\*\* To go ahead with this quote please make deposit payment. To pay by card call us on 01534 768141 \*\***

Direct Deposit - Sort Code: 60-12-03 Account: 66577772

If you have any queries please call us on 01534 768141 or visit our showroom Rue des Pres Trading Estate St Saviour

**\*\* For Our Terms & Conditions of Sale please go to [www.cpinteriors.je](http://www.cpinteriors.je) \*\***

<b>Subtotal</b>	<b>£ 8,605.00</b>
<b>GST</b>	<b>£ 430.25</b>
<b>Total</b>	<b>£ 9,035.25</b>
Paid amount	£ 0.00
<b>Total amount</b>	<b>£ 9,035.25</b>

Please note: This quotation is only valid for acceptance for 7 days. Our estimate does not include any electrical work or additional carpentry work to install the above unless otherwise specified. Please note there is a handling charge on customer own fabric of £7.50 per metre. Due to high costs of labour, pre-arranged missed fitting appointments will be charged on a time-wasted basis. Settlement is due on completion of works and an administration charge of £25 will be added per month if unpaid within 30 days. We reserve the right to charge for design, advice and liaison work carried out should an order not be placed. Goods remain the property of CP Interiors until full settlement is received. Should payment not be received we reserve the right to attend premises during working hours to remove goods and not be required to make good. Our full terms and conditions apply and are available on request.



## Configuration details

weinor Ltd 73 Cornhill EC3V 3QQ London

### C P Interiors

**Rue Des Pres Trading Estate  
GB-JE2 7QN St Saviour Jersey**

reference: **Hughes**  
 Your order no.: **SO16606**  
 weinor customernumber: 165708  
 creation Date: 21.03.2025  
 weinor pers. in charge: William Abbott  
 phone / fax number: +49-221-59709-472  
 representat.: Chris Spickett  
 tel (representat.): 0044 ( 0) 7894443907

pos	quantity	article	price
1	1	<b>weinor Opal Design II</b>	<b>4.776,00</b>
Scheduling delivery : Please contact your person in charge for planning the expected date of delivery.			
Product use : private house			
width [cm] : 600 cm			
Projection [cm] : 400 cm			
Basic colour : WT029/90146 Approx. RAL 9006 Metallic			
Folding arm design : Arm with LongLife technology and high-tech belt			
no. of arms : 2 arms			
insulation [mm] : 0 mm			
bracket type 1 : wall fixing 150 mm Opal Design II			
number of brackets 1 : 3 Piece			
FB1 Force 1 per fixing point : 5487 N			
M = Torque per folding arm : 1394 Nm			
bracket position left 1st array : 46,2 cm			
bracket position center 1st array : 300 cm			
bracket position right 1st array : 46,2 cm			
type of control : Remote-controlled motor IO Homecontrol			
Side of control (seen from the front) : left			
Hirschmann plug? : without Hirschmann plug			
control : hand transmitter Situo 1 io II by weinor			
Type of engine : Motor Sfy Sunea60 io 55/17- 78We-			
Somfy radio wind sensor io : with Somfy Eolis 3D WireFree io; black housing			
wall connection : with wall connection			
real-design : WE3-720 my collections			
colour of thread Saba : dark grey			

weinor Ltd  
73 Cornhill  
GB-EC3V 3QQ London  
weinor.com

Managing Director:  
Tim Földner  
General partner:  
Weinor Beteiligungs-GmbH  
Köln

VAT no.: 335 2381 16  
Company no.: 12193066  
UTR no.: 33431 24084  
EORI no.: GB335238116000

**Domestic transfers:**  
Commerzbank London  
Sort Code: 406201  
Account Number: 307 537 10

**International transfers:**  
Commerzbank London  
IBAN: GB51 COBA 4062 0130 7537 10  
Swift: MIDLGB22 a/c COBAGB2X

## Configuration details

weinor Ltd 73 Cornhill EC3V 3QQ London

customer: 165708 reference: Hughes Page 2 of 3

pos	quantity	article	price
-----	----------	---------	-------

Cardboard container		: edges reinforcement	
weight		: 107 kg	

	value of goods	discount amount / %	net
	4.776,00	1.910,40 / 40,00	2.865,60

1164