

weinor Ltd 73 Cornhill EC3V 3QQ London

## C P Interiors

**Rue Des Pres Trading Estate  
GB-JE2 7QN St Saviour Jersey**

### delivery address

DSV Road Ltd  
(NO UPS)  
10 Brunel Way, Segensworth Industrial Estate  
GB-PO15 5TX Hampshire, Fareham  
NO UPS

## ORDER CONFIRMATION (release 1)

sales order no.: 202905662 of 16.05.2025  
customer: 165708  
reference: Hughes  
Your order no.: SO16606  
contact person: William Abbott  
E-Mail: WAbbott@weinor.de  
phone number: +49-221-59709-472  
representat.: 654 Chris Spickett  
tel (representat.): 0044 ( 0) 7894443907

pos	quantity	article code
-----	----------	--------------

1	1,00	1883	Opal Design II
---	------	------	----------------

Anticipated delivery	: 09.06.2025		
Product use	: private house		
width [cm]	: 600	cm	
Projection [cm]	: 400	cm	4.126,00
Basic colour	: WT029/90146 Approx. RAL 9006 Metallic		
Folding arm design	: Arm with LongLife technology and high-tech belt		
no. of arms	: 2	arms	
insulation [mm]	: 0	mm	
bracket type 1	: wall fixing 150 mm Opal Design II		
number of brackets 1	: 3	Piece	123,00

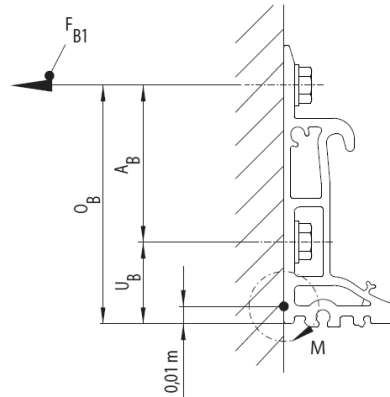
weinor Ltd  
73 Cornhill  
GB-EC3V 3QQ London  
weinor.com

Managing Director:  
Tim Fuldner  
General partner:  
Weinor Beteiligungs-GmbH  
Köln

VAT no.: 335 2381 16  
Company no.: 12193066  
UTR no.: 33431 24084  
EORI no.: GB335238116000

**Domestic transfers:**  
Commerzbank London  
Sort Code: 406201  
Account Number: 307 537 10

**International transfers:**  
Commerzbank London  
IBAN: GB51 COBA 4062 0130 7537 10  
Swift: MIDLGB22 a/c COBAGB2X



**Force 1 means the pull-out force per upper fastener F(B).**

FB1 Force 1 per fixing point	: 5487	N
M = Torque per folding arm	: 1394	Nm

**Please note that your selected awning configuration results in the following forces per upper fixing point (pull-out, lateral and/or shear forces). These must be accounted for by using suitable fixings.**

bracket position left 1st array	: 46,2	cm	
bracket position center 1st array	: 300	cm	
bracket position right 1st array	: 46,2	cm	
type of control	: Remote-controlled motor IO Homecontrol		139,00
Side of control (seen from the front)	: right		
Hirschmann plug?	: without Hirschmann plug		
control	: hand transmitter Situo 1 io II by weinor		73,00
Type of engine	: Motor Sfy Sunea60 io 55/17- 78We-		
Somfy radio wind sensor io	: with Somfy Eolis 3D WireFree io; black housing		201,00
wall connection	: with wall connection		114,00
real-design	: WE3-720	my collections	
colour of thread Saba	: dark grey		
Cardboard container	: edges reinforcement		
weight	: 107	kg	

pos	quantity	article code
-----	----------	--------------

value of goods	discount amount / %	net
4.776,00	1.910,40 / 40,00	2.865,60

value of goods	discount amount	net	VAT (0 %)	Total GBP
4.776,00	1.910,40	2.865,60	0,00	2.865,60

Our spoken and written advice focuses on an explanation of the best possible use of our products and services. It does not liberate you from the obligation to check fitness of our products and services for your particular purpose. That includes the inspection of the general condition and especially maximum capacity load of fixing base as well as forwarding all respective information in addition to your order to weinor. That way delivery of the correct type and number of brackets is guaranteed. If our product can not be used as upon agreement due to false or lacking information we or any auxiliary person do accept contractual or non-contractual liabilities only in case of malicious intent or gross negligence.

In order to mount all brackets corresponding their fixing base you will need suitable mounting systems. For mounting on concrete C20/25 we recommend heavy duty anchor-systems from fischer (e.g. FAZ II M12/10 GS or FAZ II M12/30 GS). In case of mounting on any other base referred to in our pricelist or on frontal concrete ceiling we recommend the use of injection systems from fischer (e.g. FIS V 360 S). You can order them directly from us.

If you use a different mounting system or your own brackets, you will need a table of pull-out resistance of screw anchors in order to determine the working load.

In addition, our General Terms of Delivery and Payment as per 01/2024, published under the link provided below are valid and we are happy to provide you with them free of charge upon request.

<https://www.weinor.com/terms-and-conditions/>

delivery exw Cologne  
 payment: With direct debit 5% discount payment  
 mode of dispatch UK export