

weinor Ltd 73 Cornhill EC3V 3QQ London

C P Interiors

**Rue Des Pres Trading Estate
GB-JE2 7QN St Saviour Jersey**

delivery address

DSV Road Ltd
(NO UPS)
10 Brunel Way, Segensworth Industrial Estate
GB-PO15 5TX Hampshire, Fareham
NO UPS

ORDER CONFIRMATION (release 1)

sales order no.: 202899052 of 23.04.2025
customer: 165708
reference: LE CHEMINANT CASSITA
Your order no.: SO16558
contact person: William Abbott
E-Mail: WAbbott@weinor.de
phone number: +49-221-59709-472
representat.: 654 Chris Spickett
tel (representat.): 0044 (0) 7894443907

pos	quantity	article code	
-----	----------	--------------	--

1	1,00	1308	Cassita II spring campaign
---	------	------	----------------------------

expected delivery date	:	26.05.2025		
Product use	:	private house		
width (cm)	:	400	cm	
Projection [cm]	:	250	cm	2.585,00
Base colour	:	WT029/90146 Approx. RAL 9006 Metallic		
no. of arms	:	2	Piece	
Control type	:	getoptionbezeichnung()		
insulation [mm]	:	0	mm	
bracket type 1	:	wall fixing		
number of brackets 1	:	2	Piece	60,00

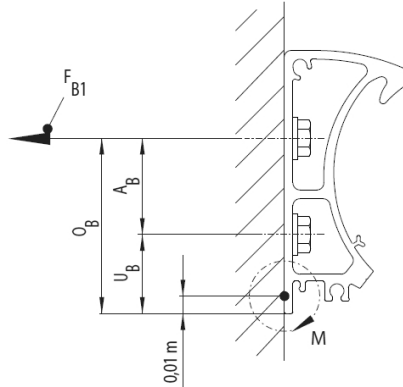
weinor Ltd
73 Cornhill
GB-EC3V 3QQ London
weinor.com

Managing Director:
Tim Földner
General partner:
Weinor Beteiligungs-GmbH
Köln

VAT no.: 335 2381 16
Company no.: 12193066
UTR no.: 33431 24084
EORI no.: GB335238116000

Domestic transfers:
Commerzbank London
Sort Code: 406201
Account Number: 307 537 10

International transfers:
Commerzbank London
IBAN: GB51 COBA 4062 0130 7537 10
Swift: MIDLGB22 a/c COBAGB2X



Force 1 means the pull-out force per upper fastener F(B).

FB1 Force 1 per fixing point	: 1883	N
Torque per folding arm [Nm]	: 339	Nm

Please note that your selected awning configuration results in the following forces per upper fixing point (pull-out, lateral and/or shear forces). These must be accounted for by using suitable fixings.

bracket position left [mm]	: 90	mm
bracket position right [mm]	: 90	mm
arm position left	: 58	mm
arm position right	: 58	mm
type of control	: Remote-controlled motor IO Homecontrol	
Side of control (seen from the front)	: left	
control	: hand transmitter Situo 5 io II by weinor	
type of motor	: Motor Sfy Sunea50 io 40/17 ohne Zubehör	
Somfy radio wind sensor io	: with Somfy Eolis 3D WireFree io; black housing	
real-design	: WE4-669	greige/moon, my collections 2



Glue fabric?	: no, sewn fabric	
colour of thread Saba	: RAL 7001 Silver grey	
Cardboard packaging	: edges reinforcement	
weight	: 55	kg

weinor Ltd 73 Cornhill EC3V 3QQ London

customer: 165708 sales order 202899052

Page 3 of 6

pos quantity article code

value of goods	discount amount / %	net
2.645,00	1.058,00 / 40,00	1.587,00

weinor Ltd
73 Cornhill
GB-EC3V 3QQ London
weinor.com

Managing Director:
Tim Földner
General partner:
Weinor Beteiligungs-GmbH
Köln

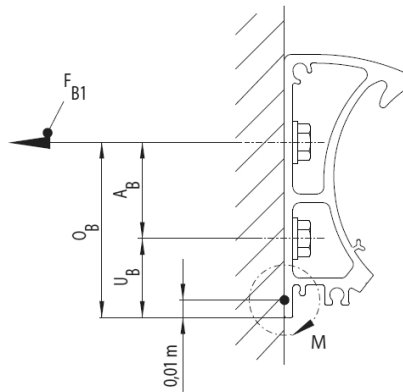
VAT no.: 335 2381 16
Company no.: 12193066
UTR no.: 33431 24084
EORI no.: GB335238116000

Domestic transfers:
Commerzbank London
Sort Code: 406201
Account Number: 307 537 10

International transfers:
Commerzbank London
IBAN: GB51 COBA 4062 0130 7537 10
Swift: MIDLGB22 a/c COBAGB2X

pos	quantity	article code
-----	----------	--------------

2	1,00	1308	Cassita II spring campaign	
expected delivery date	:	26.05.2025		
Product use	:	private house		
width (cm)	:	320	cm	
Projection [cm]	:	250	cm	2.438,00
Base colour	:	WT029/90146 Approx. RAL 9006 Metallic		
no. of arms	:	2	Piece	
Control type	:	getoptionbezeichnung()		
insulation [mm]	:	0	mm	
bracket type 1	:	wall fixing		
number of brackets 1	:	2	Piece	60,00



Force 1 means the pull-out force per upper fastener F(B).

FB1 Force 1 per fixing point	:	1563	N
Torque per folding arm [Nm]	:	281	Nm

Please note that your selected awning configuration results in the following forces per upper fixing point (pull-out, lateral and/or shear forces). These must be accounted for by using suitable fixings.

bracket position left [mm]	:	90	mm
bracket position right [mm]	:	90	mm
arm position left	:	58	mm

weinor Ltd 73 Cornhill EC3V 3QQ London

customer: 165708 sales order 202899052

Page 5 of 6

pos	quantity	article code
-----	----------	--------------

arm position right	: 58	mm
type of control	: Remote-controlled motor IO Homecontrol	
Side of control (seen from the front)	: left	
control	: hand transmitter Situo 5 io II by weinor	
type of motor	: Motor Sfy Sunea50 io 40/17 ohne Zubehör	
Somfy radio wind sensor io	: with Somfy Eolis 3D WireFree io; black housing	
real-design	: WE4-669	greige/moon, my collections 2
Glue fabric?	: no, sewn fabric	
colour of thread Saba	: RAL 7001 Silver grey	
Cardboard packaging	: edges reinforcement	
weight	: 48	kg

value of goods	discount amount / %	net
2.498,00	999,20 / 40,00	1.498,80

value of goods	discount amount	net	VAT (0 %)	Total GBP
5.143,00	2.057,20	3.085,80	0,00	3.085,80

weinor Ltd
73 Cornhill
GB-EC3V 3QQ London
weinor.com

Managing Director:
Tim Földner
General partner:
Weinor Beteiligungs-GmbH
Köln

VAT no.: 335 2381 16
Company no.: 12193066
UTR no.: 33431 24084
EORI no.: GB335238116000

Domestic transfers:
Commerzbank London
Sort Code: 406201
Account Number: 307 537 10

International transfers:
Commerzbank London
IBAN: GB51 COBA 4062 0130 7537 10
Swift: MIDLGB22 a/c COBAGB2X

Our spoken and written advice focuses on an explanation of the best possible use of our products and services. It does not liberate you from the obligation to check fitness of our products and services for your particular purpose. That includes the inspection of the general condition and especially maximum capacity load of fixing base as well as forwarding all respective information in addition to your order to weinor. That way delivery of the correct type and number of brackets is guaranteed. If our product can not be used as upon agreement due to false or lacking information we or any auxiliary person do accept contractual or non-contractual liabilities only in case of malicious intent or gross negligence.

In addition, our General Terms of Delivery and Payment as per 01/2024, published under the link provided below are valid and we are happy to provide you with them free of charge upon request.

<https://www.weinor.com/terms-and-conditions/>

delivery exw Cologne
payment: With direct debit 5% discount payment
mode of dispatch UK export