

weinor Ltd 73 Cornhill EC3V 3QQ London

C P Interiors

**Rue Des Pres Trading Estate
GB-JE2 7QN St Saviour Jersey**

delivery address

DSV Road Ltd
(NO UPS)
10 Brunel Way, Segensworth Industrial Estate
GB-PO15 5TX Hampshire, Fareham
NO UPS

ORDER CONFIRMATION (release 1)

sales order no.: 202892749 of 26.03.2025
customer: 165708
reference: HACQUOIL & COOK
Your order no.: SO15911
contact person: William Abbott
E-Mail: WAbbott@weinor.de
phone number: +49-221-59709-472
representat. 654 Chris Spickett
tel (representat.): 0044 (0) 7894443907

pos	quantity	article code
-----	----------	--------------

1	1,00	1883	Opal Design II
---	------	------	----------------

Scheduling delivery	: Please contact your person in charge for planning the expected date of delivery.	
Product use	: private house	
width (cm)	: 564	cm
Projection [cm]	: 400	cm
Base colour	: WT029/10797 Approx. RAL 9010	4.126,00
Folding arm design	: Arm with LongLife technology and high-tech belt	
no. of arms	: 2	arms
insulation [mm]	: 0	mm
bracket type 1	: wall fixing 150 mm Opal Design II	
number of brackets 1	: 3	Piece
		123,00

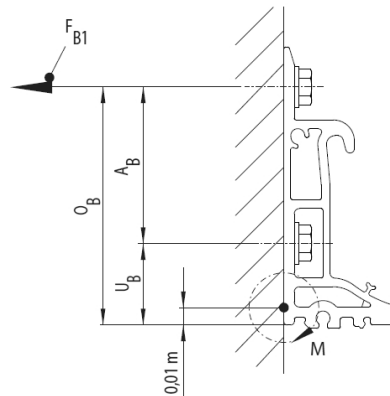
weinor Ltd
73 Cornhill
GB-EC3V 3QQ London
weinor.com

Managing Director:
Tim Fuldner
General partner:
Weinor Beteiligungs-GmbH
Köln

VAT no.: 335 2381 16
Company no.: 12193066
UTR no.: 33431 24084
EORI no.: GB335238116000

Domestic transfers:
Commerzbank London
Sort Code: 406201
Account Number: 307 537 10

International transfers:
Commerzbank London
IBAN: GB51 COBA 4062 0130 7537 10
Swift: MIDLGB22 a/c COBAGB2X



Force 1 means the pull-out force per upper fastener F(B).

FB1 Force 1 per fixing point	: 5197	N
Torque per folding arm [Nm]	: 1320	Nm

Please note that your selected awning configuration results in the following forces per upper fixing point (pull-out, lateral and/or shear forces). These must be accounted for by using suitable fixings.

bracket position left 1st array	: 40,5	cm	
bracket position centre 1st array	: 282	cm	
bracket position right 1st array	: 40,5	cm	
type of control	: Remote-controlled motor IO Homecontrol		139,00
Side of control (seen from the front)	: right		
Hirschmann plug?	: without Hirschmann plug		
control	: hand transmitter Situo 5 io II by weinor		96,00
type of motor	: Motor Sfy Sunea60 io 55/17- 78We-		
Somfy radio wind sensor io	: with Somfy Eolis 3D WireFree io; white housing		201,00
wall connection	: with wall connection		107,16
real-design	: WE3-652	willow, my collections 2	
colour of thread Saba	: dunkelbeige		
Cardboard packaging	: edges reinforcement		
weight	: 102	kg	

weinor Ltd 73 Cornhill EC3V 3QQ London

customer: 165708 sales order 202892749

Page 3 of 8

pos quantity article code

value of goods	discount amount / %	net
4.792,16	1.916,86 / 40,00	2.875,30

weinor Ltd
73 Cornhill
GB-EC3V 3QQ London
weinor.com

Managing Director:
Tim Földner
General partner:
Weinor Beteiligungs-GmbH
Köln

VAT no.: 335 2381 16
Company no.: 12193066
UTR no.: 33431 24084
EORI no.: GB335238116000

Domestic transfers:
Commerzbank London
Sort Code: 406201
Account Number: 307 537 10

International transfers:
Commerzbank London
IBAN: GB51 COBA 4062 0130 7537 10
Swift: MIDLGB22 a/c COBAGB2X



weinor Ltd 73 Cornhill EC3V 3QQ London

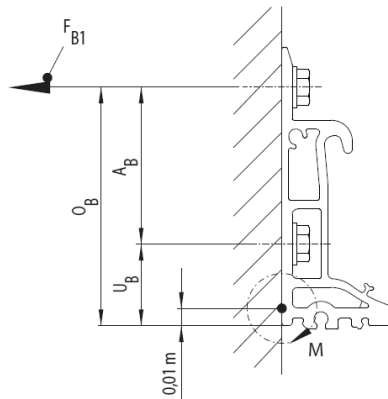
customer: 165708 sales order 202892749

Page 4 of 8

pos quantity article code

2 1,00 1883 Opal Design II

Scheduling delivery	: Please contact your person in charge for planning the expected date of delivery.		
Product use	: private house		
width (cm)	: 550	cm	
Projection [cm]	: 400	cm	3.953,00
Base colour	: WT029/10797 Approx. RAL 9010		
Folding arm design	: Arm with LongLife technology and high-tech belt		
no. of arms	: 2	arms	
insulation [mm]	: 0	mm	
bracket type 1	: wall fixing 150 mm Opal Design II		
number of brackets 1	: 3	Piece	123,00



Force 1 means the pull-out force per upper fastener F(B).

FB1 Force 1 per fixing point	: 5084	N
Torque per folding arm [Nm]	: 1291	Nm

Please note that your selected awning configuration results in the following forces per upper fixing point (pull-out, lateral and/or shear forces). These must be accounted for by using suitable fixings.

bracket position left 1st array	: 38,1	cm
bracket position centre 1st array	: 275	cm
bracket position right 1st array	: 38,1	cm

weinor Ltd
73 Cornhill
GB-EC3V 3QQ London
weinor.com

Managing Director:
Tim Fuldner
General partner:
Weinor Beteiligungs-GmbH
Köln

VAT no.: 335 2381 16
Company no.: 12193066
UTR no.: 33431 24084
EORI no.: GB335238116000

Domestic transfers:
Commerzbank London
Sort Code: 406201
Account Number: 307 537 10
International transfers:
Commerzbank London
IBAN: GB51 COBA 4062 0130 7537 10
Swift: MIDLGB22 a/c COBAGB2X

weinor Ltd 73 Cornhill EC3V 3QQ London

customer: 165708 sales order 202892749

Page 5 of 8

pos	quantity	article code
-----	----------	--------------

type of control	:	Remote-controlled motor IO Homecontrol	139,00
Side of control (seen from the front)	:	left	
Hirschmann plug?	:	without Hirschmann plug	
control	:	without control	
info about radio engine without hand transmitter	:	A suitable hand-held transmitter is required to operate the remote-controlled motor! The awning cannot be opened or retracted without a transmitter	
type of motor	:	Motor Sfy Sunea60 io 55/17- 78We-	
Somfy radio wind sensor io	:	with Somfy Eolis 3D WireFree io; white housing	201,00
wall connection	:	with wall connection	104,50
real-design	:	WE3-652	willow, my collections 2
colour of thread Saba	:	dunkelbeige	
Cardboard packaging	:	edges reinforcement	
weight	:	101	kg

value of goods	discount amount / %	net
4.520,50	1.808,20 / 40,00	2.712,30

weinor Ltd
73 Cornhill
GB-EC3V 3QQ London
weinor.com

Managing Director:
Tim Fuldner
General partner:
Weinor Beteiligungs-GmbH
Köln

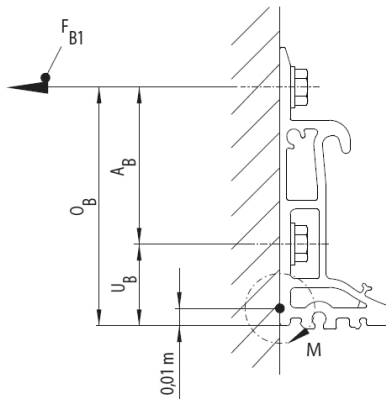
VAT no.: 335 2381 16
Company no.: 12193066
UTR no.: 33431 24084
EORI no.: GB335238116000

Domestic transfers:
Commerzbank London
Sort Code: 406201
Account Number: 307 537 10

International transfers:
Commerzbank London
IBAN: GB51 COBA 4062 0130 7537 10
Swift: MIDLGB22 a/c COBAGB2X

3	1,00	1883	Opal Design II
---	------	------	----------------

Scheduling delivery	:	Please contact your person in charge for planning the expected date of delivery.	
Product use	:	private house	
width (cm)	:	260	cm
Projection [cm]	:	200	cm
Base colour	:	WT029/10797 Approx. RAL 9010	2.787,00
Folding arm design	:	Arm with LongLife technology and high-tech belt	
no. of arms	:	2	arms
insulation [mm]	:	0	mm
bracket type 1	:	wall fixing 150 mm Opal Design II	
number of brackets 1	:	2	Piece
			82,00



Force 1 means the pull-out force per upper fastener F(B).

FB1 Force 1 per fixing point	:	752	N
Torque per folding arm [Nm]	:	191	Nm

Please note that your selected awning configuration results in the following forces per upper fixing point (pull-out, lateral and/or shear forces). These must be accounted for by using suitable fixings.

bracket position left 1st array	:	18,7	cm
bracket position right 1st array	:	18,7	cm
type of control	:	Remote-controlled motor IO Homecontrol	139,00

weinor Ltd 73 Cornhill EC3V 3QQ London

customer: 165708 sales order 202892749

Page 7 of 8

pos	quantity	article code
-----	----------	--------------

Side of control (seen from the front)	:	right	
Hirschmann plug?	:	without Hirschmann plug	
control	:	without control	
info about radio engine without hand transmitter	:	A suitable hand-held transmitter is required to operate the remote-controlled motor! The awning cannot be opened or retracted without a transmitter	
type of motor	:	Motor Sfy Sunea50 io 40/17- 78We-	
wall connection	:	with wall connection	49,40
real-design	:	WE3-652	willow, my collections 2
colour of thread Saba	:	dunkelbeige	
Cardboard packaging	:	edges reinforcement	
weight	:	53	kg

value of goods	discount amount / %	net
3.057,40	1.222,96 / 40,00	1.834,44

4	4,00	1951	Tempura Quadra
---	------	------	----------------

Scheduling delivery	:	Please contact your person in charge for planning the expected date of delivery.	
Product use	:	private house	
Utilisation	:	universal	
Width [mm]	:	400	mm 636,00
Base colour	:	WT029/10797 Approx. RAL 9010	
handling	:	Somfy io Heating Receiver Variation, dimmable	508,00
control	:	without control	
access	:	Hirschmann plug (standard)	
weight	:	4,4	kg

value of goods	discount amount / %	net
4.576,00	1.830,40 / 40,00	2.745,60

weinor Ltd
73 Cornhill
GB-EC3V 3QQ London
weinor.com

Managing Director:
Tim Fuldner
General partner:
Weinor Beteiligungs-GmbH
Köln

VAT no.: 335 2381 16
Company no.: 12193066
UTR no.: 33431 24084
EORI no.: GB335238116000

Domestic transfers:
Commerzbank London
Sort Code: 406201
Account Number: 307 537 10

International transfers:
Commerzbank London
IBAN: GB51 COBA 4062 0130 7537 10
Swift: MIDLGB22 a/c COBAGB2X

weinor Ltd 73 Cornhill EC3V 3QQ London

customer: 165708 sales order 202892749

Page 8 of 8

pos	quantity	article code
-----	----------	--------------

5	1,00	2565	Somfy Individual components
---	------	------	-----------------------------

Scheduling delivery : Please contact your person in charge for planning the expected date of delivery.

Individual parts sealed, credit only for unopened goods

126668-0000 Hand transmitter Situ 5 io II	: 1	Piece	96,00
--	-----	-------	-------

value of goods	discount amount / %	net
96,00	38,40 / 40,00	57,60

value of goods	discount amount	net	VAT (0 %)	Total GBP
17.042,06	6.816,82	10.225,24	0,00	10.225,24

Our spoken and written advice focuses on an explanation of the best possible use of our products and services. It does not liberate you from the obligation to check fitness of our products and services for your particular purpose. That includes the inspection of the general condition and especially maximum capacity load of fixing base as well as forwarding all respective information in addition to your order to weinor. That way delivery of the correct type and number of brackets is guaranteed. If our product can not be used as upon agreement due to false or lacking information we or any auxiliary person do accept contractual or non-contractual liabilities only in case of malicious intent or gross negligence.

In addition, our General Terms of Delivery and Payment as per 01/2024, published under the link provided below are valid and we are happy to provide you with them free of charge upon request.

<https://www.weinor.com/terms-and-conditions/>

delivery exw Cologne
 payment: With direct debit 5% discount payment
 mode of dispatch UK export

weinor Ltd
 73 Cornhill
 GB-EC3V 3QQ London
 weinor.com

Managing Director:
 Tim Fuldner
 General partner:
 Weinor Beteiligungs-GmbH
 Köln

VAT no.: 335 2381 16
 Company no.: 12193066
 UTR no.: 33431 24084
 EORI no.: GB335238116000

Domestic transfers:
 Commerzbank London
 Sort Code: 406201
 Account Number: 307 537 10

International transfers:
 Commerzbank London
 IBAN: GB51 COBA 4062 0130 7537 10
 Swift: MIDLGB22 a/c COBAGB2X