



# CP INTERIORS

## QUOTE

To:  
Mr. Brendan Kellett  
The Penthouse  
Sandy Lane  
Victoria Avenue  
St Helier  
JE2 3LU

Job Number: SO16452  
Customer Reference:  
Awnings

Quote Date: Friday 24 Jan 2025  
Deposit required: ~~£3,613.05~~ £2236.5  
Your Contact: Tamara

Our Price Promise to you

We are so confident our pricing is competitive, that we will beat any written quotation for equivalent product by 5%

To supply and fit unless otherwise stated.

Location	Product	Description	Qty	Price
Living Room	Awning / Canopy	Cassita II full cassette electrical operated awning, with vibration sensor, powder coated frame in RAL 7016 Anthracite Grey, with a trend and acrylic fabric My Colletion A4-689. Width 3m x 1.5m projection, including remote control and custom powder coated brackets.	1	£ 4,260.00
Bedroom Terrace	Awning / Canopy	Cassita II full cassette manually operated awning, with powder coated frame in RAL 7016 Anthracite Grey, with a trend and acrylic fabric My Colletion A4-689. Width 2.4m x 1.5m projection, including crank for operation.  *Electrical works not included*,  **Awning specifications same as previous one, except for the operation system for the Bedroom terrace one, now manual instead**.	1	£ 2,622.00

*LHS Motor confirmed via email by client on 09/02/25*

Terms: 50% deposit due with order, 50% on completion

**\*\* To go ahead with this quote please make deposit payment. To pay by card call us on 01534 768141 \*\***

Direct Deposit - Sort Code: 60-12-03 Account: 66577772

If you have any queries please call us on 01534 768141 or visit our showroom Rue des Pres Trading Estate St Saviour

\*\* For Our Terms & Conditions of Sale please go to [www.cpiinteriors.je](http://www.cpiinteriors.je) \*\*

Subtotal	£ 6,882.00	<i>£4260</i>
GST	£ 344.10	<i>£213</i>
<b>Total</b>	<b>£ 7,226.10</b>	
Paid amount	£ 0.00	
<b>Total amount</b>	<b>£ 7,226.10</b>	<i>£4473</i>

Please note: This quotation is only valid for acceptance for 7 days. Our estimate does not include any electrical work or additional carpentry work to install the above unless otherwise specified. Please note there is a handling charge on customer own fabric of £7.50 per metre. Due to high costs of labour, pre-arranged missed fitting appointments will be charged on a time-wasted basis. Settlement is due on completion of works and an administration charge of £25 will be added per month if unpaid within 30 days. We reserve the right to charge for design, advice and liaison work carried out should an order not be placed. Goods remain the property of CP Interiors until full settlement is received. Should payment not be received we reserve the right to attend premises during working hours to remove goods and not be required to make good. Our full terms and conditions apply and are available on request.

weinor Ltd 73 Cornhill EC3V 3QQ London

### C P Interiors

**Rue Des Pres Trading Estate  
GB-JE2 7QN St Saviour Jersey**

#### delivery address


DSV Road Ltd  
(NO UPS)  
10 Brunel Way, Segensworth Industrial Estate  
GB-PO15 5TX Hampshire, Fareham  
NO UPS

### ORDER CONFIRMATION (release 1)

sales order no.: 202882391 of 10.02.2025  
customer: 165708  
reference: Kellett  
Your order no.: SO16452  
contact person: William Abbott  
E-Mail: WAbbott@weinor.de  
phone number: +49-221-59709-472  
representat. 654 Chris Spickett  
tel (representat.): 0044 ( 0 ) 7894443907

pos	quantity	article code
-----	----------	--------------

1	1,00	1303 Cassita II
---	------	-----------------

expected delivery date	: 03.03.2025		
Product use	: private house		
width (cm)	: 300	cm	
Projection [cm]	: 150	cm	2.081,00
Base colour	: RAL 7016 Anthracite grey		
	: 		
no. of arms	: 2	Piece	
insulation [mm]	: 0	mm	
bracket type 1	: wall fixing		
number of brackets 1	: 2	Piece	60,00

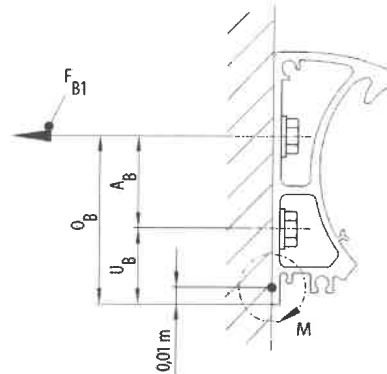
weinor Ltd  
73 Cornhill  
GB-EC3V 3QQ London  
weinor.com

Managing Director:  
Tim Földner  
General partner:  
Weinor Beteiligungs-GmbH  
Köln

VAT no.: 335 2381 16  
Company no.: 12193066  
UTR no.: 33431 24084  
EORI no.: GB335238116000

**Domestic transfers:**  
Commerzbank London  
Sort Code: 406201  
Account Number: 307 537 10

**International transfers:**  
Commerzbank London  
IBAN: GB51 COBA 4062 0130 7537 10  
Swift: MIDLGB22 a/c COBAGB2X



**Force 1 means the pull-out force per upper fastener F(B).**

FB1 Force 1 per fixing point	: 638	N
Torque per folding arm [Nm]	: 115	Nm

**Please note that your selected awning configuration results in the following forces per upper fixing point (pull-out, lateral and/or shear forces). These must be accounted for by using suitable fixings.**

bracket position left [mm]	: 90	mm
bracket position right [mm]	: 90	mm
arm position left	: 58	mm
arm position right	: 58	mm

type of control : engine

Side of control (seen from the front) : Left

With remote control : Yes! Please remind the separate order!

BiConnectWith remote control  
BiConnect

Information on BiConnect : The BiConnect has been done in 202882391 position 2!

electrical engine connection : 112865-0000 Kabel 4G0.75 L400 STAS3/C-Plug

Hirschmann plug? : without Hirschmann plug

type of motor : Motor R30-17-E12-V1+ ohne Zubehör mit Steckzapfen

real-design : WE4-689 limestone/quartz, my  
collections 2

colour of thread Saba : RAL 7001 Silver grey

weinor Ltd 73 Cornhill EC3V 3QQ London

customer: 165708 sales order 202882391

Page 3 of 4

**pos quantity article code**

Cardboard packaging : edges reinforcement  
weight : 42 kg

value of goods	discount amount / %	net
2.141,00	856,40 / 40,00	1.284,60

2 1,00 2557 BiConnect

expected delivery date : 03.03.2025  
 deliver BiConnect separate? : No; supply receiver and handheld remote control with awning  
 shipment info : The pre set receivers (except LED) and the handset will be packed with contract number 202882391 pos 1!

Receiver for motor control	: 1	BiRec MA, basic	123,00
learned on channel 1	: 1	BiConnect BiEasy 1M (silver version)	110,00
No. of BiSens Agido-3V	: 1	weinor BiConnect BiRec MA for order 202882391/1: with black cable Cassita II engine left	172,00

value of goods	discount amount / %	net
405,00	162,00 / 40,00	243,00

value of goods	discount amount	net	VAT (0 %)	Total GBP
2.546,00	1.018,40	1.527,60	0,00	1.527,60

Our spoken and written advice focuses on an explanation of the best possible use of our products and services. It does not liberate you from the obligation to check fitness of our products and services for your particular purpose. That includes the inspection of the general condition and especially maximum capacity load of fixing base as well as forwarding all respective information in addition to your order to weinor. That way delivery of the correct type and number of brackets is guaranteed. If our product can not be used as upon agreement due to false or lacking information we or any auxiliary person do accept contractual or non-contractual liabilities only in case of malicious intent or gross negligence.

In order to mount all brackets corresponding their fixing base you will need suitable mounting systems. For mounting on concrete C20/25 we recommend heavy duty anchor-systems from fischer (e.g. FAZ II M12/10 GS or FAZ II M12/30 GS). In case of mounting on any other base referred to in our pricelist or on frontal concrete ceiling we recommend the use of injection systems from fischer (e.g. FIS V 360 S). You can order them directly from us.

If you use a different mounting system or your own brackets, you will need a table of pull-out resistance of screw anchors in order to determine the working load.

In addition, our General Terms of Delivery and Payment as per 01/2024, published under the link provided below are valid and we are happy to provide you with them free of charge upon request.

<https://www.weinor.com/terms-and-conditions/>

delivery exw Cologne  
payment: With direct debit 5% discount payment  
mode of dispatch UK export

## Configuration details

weinor Ltd 73 Cornhill EC3V 3QQ London

### C P Interiors

**Rue Des Pres Trading Estate**  
**GB-JE2 7QN St Saviour Jersey**

reference: Kellett  
Your order no.: SO16452  
weinor customernumber: 165708  
creation Date: 10.02.2025  
weinor pers. in charge: William Abbott  
phone / fax number: +49-221-59709-472  
representat.: Chris Spickett  
tel (representat.): 0044 ( 0) 7894443907

pos	quantity	article	price
1	1	weinor Cassita II	2.141,00

Product use	: private house	
width (cm)	: 300 cm	
Projection [cm]	: 150 cm	2.081,00
Base colour	: RAL 7016 Anthracite grey	
no. of arms	: 2 Piece	
insulation [mm]	: 0 mm	
bracket type 1	: wall fixing	
number of brackets 1	: 2 Piece	60,00
FB1 Force 1 per fixing point	: 638 N	
Torque per folding arm [Nm]	: 115 Nm	
bracket position left [mm]	: 90 mm	
bracket position right [mm]	: 90 mm	
arm position left	: 58 mm	
arm position right	: 58 mm	
type of control	: engine	
Side of control (seen from the front)	: Left	

With remote control BiConnectWith remote control BiConnect : Yes! Please remind the separate order!

Information on BiConnect : The BiConnect has been done in 504117163 position 2!  
electrical engine connection : 112865-0000 Kabel 4G0.75 L400 STAS3/C-Plug  
Hirschmann plug? : without Hirschmann plug  
type of motor :  
real-design : WE4-689  
colour of thread Saba : RAL 7001 Silver grey

weinor Ltd  
73 Cornhill  
GB-EC3V 3QQ London  
weinor.com

Managing Director:  
Tim Fuldner  
General partner:  
Weinor Beteiligungs-GmbH  
Köln

VAT no.: 335 2381 16  
Company no.: 12193066  
UTR no.: 33431 24084  
EORI no.: GB335238116000

**Domestic transfers:**  
Commerzbank London  
Sort Code: 406201  
Account Number: 307 537 10

**International transfers:**  
Commerzbank London  
IBAN: GB51 COBA 4062 0130 7537 10  
Swift: MIDLGB22 a/c COBAGB2X

## Configuration details

weinor Ltd 73 Cornhill EC3V 3QQ London

Page 2 of 2

customer:	165708	reference:	Kellett		
pos	quantity	article			price
Cardboard packaging weight		: edges reinforcement : 42 kg			
		value of goods	discount amount / %	net	
		2.141,00	856,40 / 40,00	1.284,60	
<b>2</b>	<b>1</b>	<b>weinor BiConnect</b>			<b>405,00</b>
deliver BiConnect separate?		: No; supply receiver and handheld remote control with awning			
shipment info		: The pre set receivers (except LED) and the handset will be packed with contract number 504117163 pos 1!			
Receiver for motor control		: 1 BiRec MA, basic			123,00
learned on channel 1		: BiConnect BiEasy 1M (silver version)			110,00
No. of BiSens Agido-3V		: weinor BiConnect BiRec MA with black cable for order 504117163/1: Cassita II engine left : 1 Piece			172,00
		value of goods	discount amount / %	net	
		405,00	162,00 / 40,00	243,00	
<b>value of goods GBP</b>	<b>discount amount</b>	<b>net GBP</b>	<b>VAT (0 %)</b>	<b>Total GBP</b>	
<b>2.546,00</b>	<b>1.018,40</b>	<b>1.527,60</b>	<b>0,00</b>	<b>1.527,60</b>	

Reference/ Order no.	Order no.	Product	Order date	Delivery date
⊖	Kellett (SO16452)	Cassita II	24/01/2025	⋮
1	1x Cassita II		1,293.00 GBP	📄 🗑️
2	1x BiConnect		243.00 GBP	📄 🗑️
3	1x Cassita II		1,048.80 GBP	📄 🗑️

$$1) \text{£}1536 \times 2.5 = \text{£}3840 + \text{£}420 \text{ (bracket)}$$

$$2) \text{£}1048.80 \times 2.5 = \text{£}2622$$

## Configuration details

weinor Ltd 73 Cornhill EC3V 3QQ London

### C P Interiors

**Rue Des Pres Trading Estate**  
**GB-JE2 7QN St Saviour Jersey**

reference: Kellett  
Your order no.: SO16452  
weinor customernumber: 165708  
creation Date: 24.01.2025  
weinor pers. in charge: William Abbott  
phone / fax number: +49-221-59709-472  
representat.: Chris Spickett  
tel (representat.): 0044 ( 0) 7894443907

pos	quantity	article	price
1	1	weinor Cassita II	2.155,00
		Product use : private house	
		width [cm] : 300 cm	
		Projection [cm] : 150 cm	2.081,00
		Basic colour : RAL 7016 Anthracite grey	
		no. of arms : 2 Piece	
		insulation [mm] : 0 mm	
		bracket type 1 : wall fixing	
		number of brackets 1 : 2 Piece	60,00
		FB1 Force 1 per fixing point : 638 N	
		M = Torque per folding arm : 115 Nm	
		bracket position left [mm] : 90 mm	
		bracket position right [mm] : 90 mm	
		arm position left : 58 mm	
		arm position right : 58 mm	
		type of control : engine	
		Side of control (seen from the front) : Left	
		With remote control BiConnect : Yes! Please remind the separate order!	
		Information on BiConnect : The BiConnect has been done in 504117163 position 2!	
		electrical engine connection : 112865-0000 Kabel 4G0.75 L400 STAS3/C-Plug	
		Hirschmann plug? : Hirschmann plug not assembled	14,00
		Type of engine :	
		real-design : WE4-689	
		colour of thread Saba : RAL 7001 Silver grey	
		Cardboard container : edges reinforcement	
		weight : 42 kg	

weinor Ltd  
73 Cornhill  
GB-EC3V 3QQ London  
weinor.com

Managing Director:  
Tim Fuldner  
General partner:  
Weinor Beteiligungs-GmbH  
Köln

VAT no.: 335 2381 16  
Company no.: 12193066  
UTR no.: 33431 24084  
EORI no.: GB335238116000

**Domestic transfers:**  
Commerzbank London  
Sort Code: 406201  
Account Number: 307 537 10

**International transfers:**  
Commerzbank London  
IBAN: GB51 COBA 4062 0130 7537 10  
Swift: MIDLGB22 a/c COBAGB2X

## Configuration details

weinor Ltd 73 Cornhill EC3V 3QQ London

customer: 165708 reference: Kellett Page 2 of 3

pos	quantity	article	value of goods	discount amount / %	net
			2.155,00	862,00 / 40,00	1.293,00

2	1	weinor BiConnect			405,00
---	---	------------------	--	--	--------

deliver BiConnect separate?	: No; supply receiver and handheld remote control with awning	
shipment info	: The pre set receivers (except LED) and the handset will be packed with contract number 504117163 pos 1!	
Receiver for motor/ control	: 1 BiRec MA, basic	123,00
learned on channel 1	: weinor BiConnect BiEasy 1M silver	110,00
No. of BiSens Agido-3V	: weinor BiConnect BiRec MA with black cable for order 504117163/1: Cassita II engine left	
	: 1 Piece	172,00

value of goods	discount amount / %	net
405,00	162,00 / 40,00	243,00

## Configuration details

weinor Ltd 73 Cornhill EC3V 3QQ London

customer: 165708 reference: Kellett Page 3 of 3

pos	quantity	article	price
-----	----------	---------	-------

3	1	weinor Cassita II	1.748,00
---	---	-------------------	----------

Product use	: private house		
width [cm]	: 240 cm		
Projection [cm]	: 150 cm		1.946,00
Basic colour	: RAL 7016 Anthracite grey		
no. of arms	: 2 Piece		
insulation [mm]	: 0 mm		
bracket type 1	: wall fixing		
number of brackets 1	: 2 Piece		60,00
FB1 Force 1 per fixing point	: 533 N		
M = Torque per folding arm	: 96 Nm		
bracket position left [mm]	: 90 mm		
bracket position right [mm]	: 90 mm		
arm position left	: 58 mm		
arm position right	: 58 mm		
type of control	: crank		-258,00
Side of control (seen from the front)	: Left		
length of handle	: 100 cm		
real-design	: WE4-689		
colour of thread Saba	: RAL 7001 Silver grey		
Cardboard container	: edges reinforcement		
weight	: 37 kg		

value of goods	discount amount / %	net
1.748,00	699,20 / 40,00	1.048,80

value of goods GBP	discount amount	net GBP	VAT (0 %)	Total GBP
4.308,00	1.723,20	2.584,80	0,00	2.584,80

weinor Ltd  
73 Cornhill  
GB-EC3V 3QQ London  
weinor.com

Managing Director:  
Tim Földner  
General partner:  
Weinor Beteiligungs-GmbH  
Köln

VAT no.: 335 2381 16  
Company no.: 12193066  
UTR no.: 33431 24084  
EORI no.: GB335238116000

**Domestic transfers:**  
Commerzbank London  
Sort Code: 406201  
Account Number: 307 537 10

**International transfers:**  
Commerzbank London  
IBAN: GB51 COBA 4062 0130 7537 10  
Swift: MIDLGB22 a/c COBAGB2X

Staff Name Adrian

# Work Diary

Order No SO16452

Customer Ref

Date 22-01-2025

Time 10:30

Measurer or Fitter Measurer

Contact Address Mr. Brendan Kellett, The Penthouse, Sandy Lane, Victoria Avenue, St Helier, JE2 3LU, 07797798542, brendan.kellett@jmc.je

Notes : 0 To measure for new awning and shutters

Location	Supplier	Blind Type /Description	Colour	Qty	Width	Drop	Fitting Height	Blind/Recess	Controls	Brackets	Surface	Unit Price
Liv		Casilda II	As previous	1	3000	1500			FBC	LHM	confirmed by	
Bed		Planitex	White	1	1735	1165	1170	Powder Coat Bracket	Wm client on 07/02			420
(recommended by Adrian)		Cuba full height	White			T1	1170					
Bed		53mm Silent Tilt Plain Style	(to be checked as previous one is Stone Grey)	1	2460	1500						
terrace		Casilda II	As previous	1	2460	1500			Man Lift			

Comments:

Order Date

Customer Signature

X

I have checked and agree with the above choices

Target Fitting Date





weinor Ltd 73 Cornhill EC3V 3QQ London

**C P Interiors**

**Rue Des Pres Trading Estate  
GB-JE2 7QN St Saviour Jersey**

**delivery address**

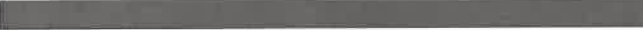
DSV Road Ltd  
(NO UPS)  
10 Brunel Way, Segensworth Industrial Estate  
GB-PO15 5TX Hampshire, Fareham  
NO UPS

**ORDER CONFIRMATION (release 1)**

sales order no.: 202738280 of 28.02.2023  
customer: 165708  
reference: Brendan Kellett  
Your order no.: SO14333  
contact person: William Abbott  
E-Mail: WAbbott@weinor.de  
phone number: +49-221-59709-472  
representat. 654 Chris Spickett  
tel (representat.): 0044 ( 0) 7894443907

pos	quantity	article code
-----	----------	--------------

1	1,00	1303 Cassita II
---	------	-----------------

Anticipated delivery	: 10.04.2023		
Product use	: private house		
width [cm]	: 290	cm	
Projection [cm]	: 160	cm	2.049,00
Basic colour	: RAL 7016 Anthracite grey		
	: 		
no. of arms	: 2	Piece	
insulation [mm]	: 0	mm	
bracket type 1	: wall fixing		
number of brackets 1	: 2	Piece	56,00

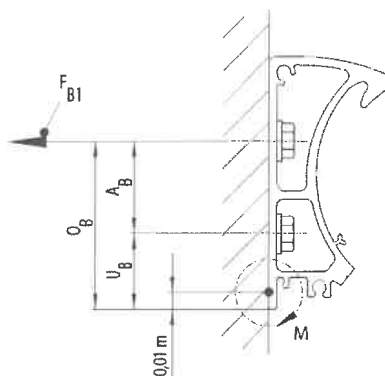
weinor Ltd  
73 Cornhill  
GB-EC3V 3QQ London  
weinor.com

Managing Director:  
Thilo Weiermann  
General partner:  
Weinor Beteiligungs-GmbH  
Köln

VAT no.: 335 2381 16  
Company no.: 12193066  
UTR no.: 33431 24084  
EORI no.: GB335238116000

**Domestic transfers:**  
Commerzbank London  
Sort Code: 406201  
Account Number: 307 537 10

**International transfers:**  
Commerzbank London  
IBAN: GB51 COBA 4062 0130 7537 10  
Swift: MIDLGB22 a/c COBAGB2X



**Force 1 means the pull-out force per upper fastener F(B).**

FB1 Force 1 per fixing point	: 686	N
M = Torque per folding arm	: 124	Nm

**Please note that your selected awning configuration results in the following forces per upper fixing point (pull-out, lateral and/or shear forces). These must be accounted for by using suitable fixings.**

bracket position left [mm]	: 90	mm
bracket position right [mm]	: 90	mm
arm position left	: 58	mm
arm position right	: 58	mm
type of control	: engine	

Side of control (seen from the front) : right

With remote control BiConnect : Yes! Please remind the separate order!

Information on BiConnect : The BiConnect has been done in 202738280 position 2!

electrical engine connection : 112865-0000 Kabel 4G0.75 L400 STAS3/C-Plug

Hirschmann plug? : Hirschmann plug not assembled

14,00

Type of engine : Motor R30-17-E12-V1+ ohne Zubehör mit Steckzapfen

real-design : WE4-689 limestone/quartz, my collections 2

colour of thread Saba : RAL 7001 Silver grey

Cardboard container : edges reinforcement

2

weinor Ltd 73 Cornhill EC3V 3QQ London

customer: 165708 sales order 202738280

Page 3 of 4

pos	quantity	article code		
	weight		: 38	kg
	value of goods	discount amount / %		net
	2.119,00	847,60 / 40,00		1.271,40
2	1,00	2557	BiConnect	
	Anticipated delivery		: 10.04.2023	
	deliver BiConnect separate?		: No; supply receiver and handheld remote control with awning	
	shipment info		: The pre set receivers (except LED) and the handset will be packed with contract number 202738280 pos 1!	
	Receiver for motor/ control		: 1 BiRec MA, basic	116,00
	learned on channel 1		: BiConnect BiEasy 1M (silver version)	104,00
	No. of BiSens Agido-3V		: weinor BiConnect BiRec MA for order 202738280/1: with black cable Cassita II engine right	162,00
	value of goods	discount amount / %		net
	382,00	152,80 / 40,00		229,20
999	1,00	127887-0000	net material cost surcharge	
	price per unit		: 23,2	23,20
	Pos 1 - Cassita II - 23,20 GBP			23,20
	value of goods	discount amount / %		net
	23,20	0,00 / 0,00		23,20

weinor Ltd  
73 Cornhill  
GB-EC3V 3QQ London  
weinor.com

Managing Director:  
Thilo Weiermann  
General partner:  
Weinor Beteiligungs-GmbH  
Köln

VAT no.: 335 2381 16  
Company no.: 12193066  
UTR no.: 33431 24084  
EORI no.: GB335238116000

**Domestic transfers:**  
Commerzbank London  
Sort Code: 406201  
Account Number: 307 537 10

**International transfers:**  
Commerzbank London  
IBAN: GB51 COBA 4062 0130 7537 10  
Swift: MIDLGB22 a/c COBAGB2X

pos	quantity	article code
-----	----------	--------------

value of goods	discount amount	net	VAT (0 %)	Total GBP
2.524,20	1.000,40	1.523,80	0,00	1.523,80

Our spoken and written advice focuses on an explanation of the best possible use of our products and services. It does not liberate you from the obligation to check fitness of our products and services for your particular purpose. That includes the inspection of the general condition and especially maximum capacity load of fixing base as well as forwarding all respective information in addition to your order to weinor. That way delivery of the correct type and number of brackets is guaranteed. If our product can not be used as upon agreement due to false or lacking information we or any auxiliary person do accept contractual or non-contractual liabilities only in case of malicious intent or gross negligence.

In order to mount all brackets corresponding their fixing base you will need suitable mounting systems. For mounting on concrete C20/25 we recommend heavy duty anchor-systems from fischer (e.g. FAZ II M12/10 GS or FAZ II M12/30 GS). In case of mounting on any other base referred to in our pricelist or on frontal concrete ceiling we recommend the use of injection systems from fischer (e.g. FIS V 360 S). You can order them directly from us.

If you use a different mounting system or your own brackets, you will need a table of pull-out resistance of screw anchors in order to determine the working load.

In addition, our General Terms of Delivery and Payment as per 12/2021, published under the link provided below are valid and we are happy to provide you with them free of charge upon request.

<https://www.weinor.com/terms-and-conditions/>

delivery exw Cologne  
 payment: With direct debit 5% discount payment  
 mode of dispatch UK export