



# CP INTERIORS

Client to choose colours for hardware and fabrics

## QUOTE

To: Ms. Melanie Littlechild  
Villa Hirondelle  
Langley Park  
St Saviour  
JE2 7ND

Job Number: SO16427  
Customer Reference:  
Awning

Quote Date: Tuesday 04 Feb 2025  
Deposit required: £ 2,646.37  
Your Contact: Tamara

Our Price Promise to you  
We are so confident our pricing is competitive, that we will beat any written quotation for equivalent product by 5%

To supply and fit unless otherwise stated.

Location	Product	Description	Qty	Price
	Awning / Canopy	Cassita II full cassette electrical operated awning, with vibration sensor, powder coated frame in one of the standard RAL colours available, with a trend and acrylic My Collection fabric. Width 4.4m x 2.5m projection, including remote control.	1	£ 5,306.00

WT 029/70706  
Sparkling iron  
A/3-634  
moon



\*Electrical works not included\*

Confirmed in showroom 06/02

Terms: 50% deposit due with order, 50% on completion

\*\* To go ahead with this quote please make deposit payment. To pay by card call us on 01534 768141 \*\*

Direct Deposit - Sort Code: 60-12-03 Account: 66577772

If you have any queries please call us on 01534 768141 or visit our showroom Rue des Pres Trading Estate St Saviour

\*\* For Our Terms & Conditions of Sale please go to [www.cpinteriors.je](http://www.cpinteriors.je) \*\*

Discount	£ 265.30
Subtotal	£ 5,040.70
GST	£ 252.04
<b>Total</b>	<b>£ 5,292.74</b>
Paid amount	£ 0.00
<b>Total amount</b>	<b>£ 5,292.74</b>

Please note: This quotation is only valid for acceptance for 7 days. Our estimate does not include any electrical work or additional carpentry work to install the above unless otherwise specified. Please note there is a handling charge on customer own fabric of £7.50 per metre. Due to high costs of labour, pre-arranged missed fitting appointments will be charged on a time-wasted basis. Settlement is due on completion of works and an administration charge of £25 will be added per month if unpaid within 30 days. We reserve the right to charge for design, advice and liaison work carried out should an order not be placed. Goods remain the property of CP Interiors until full settlement is received. Should payment not be received we reserve the right to attend premises during working hours to remove goods and not be required to make good. Our full terms and conditions apply and are available on request.

weinor Ltd 73 Cornhill EC3V 3QQ London

### C P Interiors

**Rue Des Pres Trading Estate  
GB-JE2 7QN St Saviour Jersey**

#### delivery address

DSV Road Ltd  
(NO UPS)  
10 Brunel Way, Segensworth Industrial Estate  
GB-PO15 5TX Hampshire, Fareham  
NO UPS

### ORDER CONFIRMATION (release 1)

sales order no.: 202882254 of 07.02.2025  
customer: 165708  
reference: Littlechild  
Your order no.: SO16427  
contact person: William Abbott  
E-Mail: WAbbott@weinor.de  
phone number: +49-221-59709-472  
representat.: 654 Chris Spickett  
tel (representat.): 0044 ( 0) 7894443907

pos	quantity	article code
-----	----------	--------------

1	1,00	1303 Cassita II
---	------	-----------------

Anticipated delivery	: 03.03.2025		
Product use	: private house		
width [cm]	: 440	cm	
Projection [cm]	: 250	cm	2.745,00
Basic colour	: WT029/70786 Sparkling Iron Effect		
no. of arms	: 2	Piece	
insulation [mm]	: 0	mm	
bracket type 1	: wall fixing		
number of brackets 1	: 2	Piece	60,00

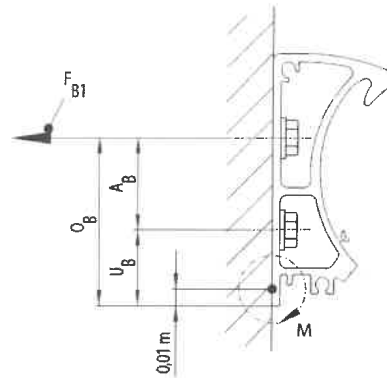
weinor Ltd  
73 Cornhill  
GB-EC3V 3QQ London  
weinor.com

Managing Director:  
Tim Fuldner  
General partner:  
Weinor Beteiligungs-GmbH  
Köln

VAT no.: 335 2381 16  
Company no.: 12193066  
UTR no.: 33431 24084  
EORI no.: GB335238116000

**Domestic transfers:**  
Commerzbank London  
Sort Code: 406201  
Account Number: 307 537 10

**International transfers:**  
Commerzbank London  
IBAN: GB51 COBA 4062 0130 7537 10  
Swift: MIDLGB22 a/c COBAGB2X



**Force 1 means the pull-out force per upper fastener F(B).**

FB1 Force 1 per fixing point	: 2043	N
M = Torque per folding arm	: 368	Nm

**Please note that your selected awning configuration results in the following forces per upper fixing point (pull-out, lateral and/or shear forces). These must be accounted for by using suitable fixings.**

bracket position left [mm]	: 90	mm
bracket position right [mm]	: 90	mm
arm position left	: 58	mm
arm position right	: 58	mm
type of control	: Remote-controlled motor IO Homecontrol	137,00
Side of control (seen from the front)	: Left	
Hirschmann plug?	: without Hirschmann plug	
control	: hand transmitter Situo 1 io II by weinor	83,00
Type of engine	: Motor Sfy Sunea50 io 40/17 ohne Zubehör	
Somfy radio wind sensor io	: with Somfy Eolis 3D WireFree io; black housing	199,00
real-design	: WE3-634 moon, my collections 2	
colour of thread Saba	: RAL 7001 Silver grey	
Cardboard container	: edges reinforcement	
weight	: 58	kg

pos	quantity	article code			
	value of goods	discount amount / %	net		
	3.224,00	1.289,60 / 40,00	1.934,40		
	<b>value of goods</b>	<b>discount amount</b>	<b>net</b>	<b>VAT (0 %)</b>	<b>Total GBP</b>
	<b>3.224,00</b>	<b>1.289,60</b>	<b>1.934,40</b>	<b>0,00</b>	<b>1.934,40</b>

Our spoken and written advice focuses on an explanation of the best possible use of our products and services. It does not liberate you from the obligation to check fitness of our products and services for your particular purpose. That includes the inspection of the general condition and especially maximum capacity load of fixing base as well as forwarding all respective information in addition to your order to weinor. That way delivery of the correct type and number of brackets is guaranteed. If our product can not be used as upon agreement due to false or lacking information we or any auxiliary person do accept contractual or non-contractual liabilities only in case of malicious intent or gross negligence.

In order to mount all brackets corresponding their fixing base you will need suitable mounting systems. For mounting on concrete C20/25 we recommend heavy duty anchor-systems from fischer (e.g. FAZ II M12/10 GS or FAZ II M12/30 GS). In case of mounting on any other base referred to in our pricelist or on frontal concrete ceiling we recommend the use of injection systems from fischer (e.g. FIS V 360 S). You can order them directly from us.

If you use a different mounting system or your own brackets, you will need a table of pull-out resistance of screw anchors in order to determine the working load.

In addition, our General Terms of Delivery and Payment as per 01/2024, published under the link provided below are valid and we are happy to provide you with them free of charge upon request.

<https://www.weinor.com/terms-and-conditions/>

delivery exw Cologne  
 payment: With direct debit 5% discount payment  
 mode of dispatch UK export

## Configuration details

weinor Ltd 73 Cornhill EC3V 3QQ London

### C P Interiors

**Rue Des Pres Trading Estate  
GB-JE2 7QN St Saviour Jersey**

reference: Littlechild  
Your order no.: SO16427  
weinor customernumber: 165708  
creation Date: 07.02.2025  
weinor pers. in charge: William Abbott  
phone / fax number: +49-221-59709-472  
representat.: Chris Spickett  
tel (representat.): 0044 ( 0 ) 7894443907

pos	quantity	article	price
1	1	weinor Cassita II	3.238,00
		Product use : private house	
		width [cm] : 440 cm	
		Projection [cm] : 250 cm	2.745,00
		Basic colour : WT029/70786 Sparkling Iron Effect	
		no. of arms : 2 Piece	
		insulation [mm] : 0 mm	
		bracket type 1 : wall fixing	
		number of brackets 1 : 2 Piece	60,00
		FB1 Force 1 per fixing point : 2043 N	
		M = Torque per folding arm : 368 Nm	
		bracket position left [mm] : 90 mm	
		bracket position right [mm] : 90 mm	
		arm position left : 58 mm	
		arm position right : 58 mm	
		type of control : Remote-controlled motor IO Homecontrol	137,00
		Side of control (seen from the front) : Left	
		Hirschmann plug? : Hirschmann plug not assembled	
		control : hand transmitter Situo 1 io II by weinor	14,00
		Type of engine : Motor Sfy Sunea50 io 40/17 ohne Zubehör	83,00
		Somfy radio wind sensor io : with Somfy Eolis 3D WireFree io; black housing	199,00
		real-design : WE3-634	
		colour of thread Saba : RAL 7001 Silver grey	
		Cardboard container : edges reinforcement	
		weight : 58 kg	

Remove Hirschmann 14,00 + 83,00

weinor Ltd  
73 Cornhill  
GB-EC3V 3QQ London  
weinor.com

Managing Director:  
Tim Fuldner  
General partner:  
Weinor Beteiligungs-GmbH  
Köln

VAT no.: 335 2381 16  
Company no.: 12193066  
UTR no.: 33431 24084  
EORI no.: GB335238116000

Domestic transfers:  
Commerzbank London  
Sort Code: 406201  
Account Number: 307 537 10

International transfers:  
Commerzbank London  
IBAN: GB51 COBA 4062 0130 7537 10  
Swift: MIDLGB22 a/c COBAGB2X

RB ✓

## Configuration details

weinor Ltd 73 Cornhill EC3V 3QQ London

customer: 165708 reference: Littlechild Page 2 of 2

pos	quantity	article			price
			value of goods	discount amount / %	net
			3.238,00	1.295,20 / 40,00	1.942,80
<b>value of goods GBP</b>		<b>discount amount</b>	<b>net GBP</b>	<b>VAT (0 %)</b>	<b>Total GBP</b>
3.238,00		1.295,20	1.942,80	0,00	1.942,80

weinor Ltd  
73 Cornhill  
GB-EC3V 3QQ London  
weinor.com

Managing Director:  
Tim Földner  
General partner:  
Weinor Beteiligungs-GmbH  
Köln

VAT no.: 335 2381 16  
Company no.: 12193066  
UTR no.: 33431 24084  
EORI no.: GB335238116000

**Domestic transfers:**  
Commerzbank London  
Sort Code: 406201  
Account Number: 307 537 10

**International transfers:**  
Commerzbank London  
IBAN: GB51 COBA 4062 0130 7537 10  
Swift: MIDLGB22 a/c COBAGB2X







→ Crane?  
→

# CP INTERIORS

## QUOTE

To: Ms. Melanie Littlechild  
Villa Hironnelle  
Langley Park  
St Saviour  
JE2 7ND

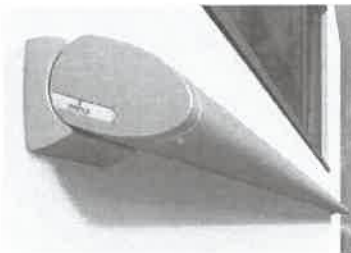
Job Number: SO16427  
Customer Reference:  
Awning

Quote Date: Friday 24 Jan 2025  
Deposit required: £ 2,785.65  
Your Contact: Tamara

Our Price Promise to you  
We are so confident our pricing is competitive, that we will beat any written quotation for equivalent product by 5%

To supply and fit unless otherwise stated.

Location	Product	Description	Qty	Price
	Awning / Canopy	Cassita II full cassette electrical operated awning, with vibration sensor, powder coated frame in one of the standard RAL colours available, with a trend and acrylic My Collection fabric. Width 4.4m x 2.5m projection, including remote control.	1	£ 5,306.00



Optional Upgrade	Tempura 1,5KW heater in a colour to match the awning @£957 + GST per unit,	1	
Optional Upgrade	LED spotlights underneath awning cassette @£1,938 + GST,	1	

\*Electrical works not included\*,

Terms: 50% deposit due with order, 50% on completion

\*\* To go ahead with this quote please make deposit payment. To pay by card call us on 01534 768141 \*\*

Direct Deposit - Sort Code: 60-12-03 Account: 66577772

If you have any queries please call us on 01534 768141 or visit our showroom Rue des Pres Trading Estate St Saviour

\*\* For Our Terms & Conditions of Sale please go to [www.cpinteriors.je](http://www.cpinteriors.je) \*\*

Subtotal	£ 5,306.00
GST	£ 265.30
Total	£ 5,571.30
Paid amount	£ 0.00
Total amount	£ 5,571.30

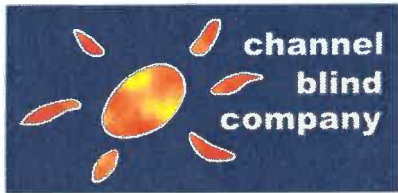
+ 5% discount approved by Adrian on 04/02/26 notice

Please note: This quotation is only valid for acceptance for 7 days. Our estimate does not include any electrical work or additional carpentry work to install the above unless otherwise specified. Please note there is a handling charge on customer own fabric of £7.50 per metre. Due to high costs of labour, pre-arranged missed fitting appointments will be charged on a time-wasted basis. Settlement is due on completion of works and an administration charge of £25 will be added per month if unpaid within 30 days. We reserve the right to charge for design, advice and liaison work carried out should an order not be placed. Goods remain the property of CP Interiors until full settlement is received. Should payment not be received we reserve the right to attend premises during working hours to remove goods and not be required to make good. Our full terms and conditions apply and are available on request.

- Markitox only MARKILUX WEINOR
- Only powder coat frame and visible parts
- Powder coats each individual part.
- Recommends a chemical pre-treatment
- Limited hardware colours.

# CH13043 - Quotation

PDF - 36 KB



unit 6, landes du marche, st peter, jersey, je37ay, 01534 48 41 41

### Quotation

Quotation No.	CH13043
Account Number	LITT1004
Date	29-01-2025

**Quote To**  
 Mrs. Littlechild  
 Villa Hirondele, Langley Park  
 St. Saviour  
 Jersey, JE27ND

**Deliver To**  
 Mrs. Littlechild  
 Villa Hirondele, Langley Park  
 St. Saviour  
 Jersey, JE27ND

SIZE?  
 Vibration?  
 NOT NEEDED

Item	Qty	Description	Each	Discount	Total
Awnings	1	Garden, Fabric: Fabric Colour To Be Confirmed, Markilux MX3 Cassette awning. Control Left Electric. Installation and Set Up included, Markilux Designcontrol io5 handset	4,311.83		4,311.83
Awnings	1	Garden, Markilux MX3 Cassette awning. LED Line, dimmable lighting	1,330.00		1,330.00
Fetch and Karrie	1	Large crane rental and Parish road closure charges.,	730.00		730.00

NO VIBRATION  
 SENSOR

**Customer Message**

Please note: we no longer accept payments by cheque.

<b>Subtotal:</b>	<b>£6,371.83</b>
<b>GST:</b>	<b>£318.59</b>
<b>Total:</b>	<b>£6,690.42</b>

GST Registration Number: 0011495. Payment by Bacs. Sort Code: 30 94 61, Account Number: 04904313. Please provide quote/invoice number on all payments.

### Terms and Conditions of Sale - Channel Blind Company

1. These Terms and Conditions shall be the ONLY conditions relating to the sale of goods, services and/or materials by the Company. Any amendment, addition or variation to these conditions will only be considered binding upon agreement in writing by the Company's Management.

## Open Microsoft 365 (Office)



5. The quantity, quality and description of, and any specification for the goods, shall be those set out in the quotation (if accepted by the Customer). Development is continuous and the customer shall have the benefits of any changes made to design specifications up to the time of completion of the manufacturing process. Any alteration required to the order after manufacture shall be deemed to constitute a separate contract.

6. All goods sold by us are by sample. Typical quality of merchandise is represented by display models available for inspection at our showroom. With our policy of





**company**

unit 6, landes du marche, st peter, jersey, je37ay, 01534 48 41 41

Account Number
LITT1004
Date
31-01-2025

<b>Quote To</b>	Mrs. Littlechild Villa Hirondelle, Langley Park St. Saviour Jersey, JE27ND
-----------------	---

<b>Deliver To</b>	Mrs. Littlechild Villa Hirondelle, Langley Park St. Saviour Jersey, JE27ND
-------------------	---

Item	Qty	Description	Each	Discount	Total
Awnings	1	Garden, Fabric: Fabric Colour To Be Confirmed, Markilux MX3 Cassette awning. Control Left Electric. Installation and Set Up included, Markilux Designcontrol io5 handset, Eolis io 230V Wind sensor with Rain sensor connection	4,599.64		4,599.64
Awnings	1	<del>Garden, Markilux MX3 Cassette awning, LED Line; dimmable lighting</del>	<del>1,330.00</del>		<del>1,330.00</del>
Fetch and Karrie	1	<del>Large crane rental and Parish road closure charges.</del>	<del>730.00</del>		<del>730.00</del>
		WITH VIBRATION SENSOR			

**Customer Message**

Please note; we no longer accept payments by cheque.

<b>Subtotal:</b>	<b>£6,659.64</b>
<b>GST:</b>	<b>£332.98</b>
<b>Total:</b>	<b>£6,992.62</b>

GST Registration Number: 0011495. Payment by Bacs. Sort Code: 30 94 61. Account Number: 04904313. Please provide quote/invoice number on all payments.

**Terms and Conditions of Sale – Channel Blind Company**

1. These Terms and Conditions shall be the ONLY conditions relating to the sale of goods, services and/or materials by the Company. Any amendment, addition or variation to these conditions will only be considered binding upon agreement in writing by the Company's Management.

Reference/  
Order no.

Order no.

Product

Order date

Delivery date



Littlechild LED (SO164...

Cassita II LED

24/01/2025



1 1x Cassita II LED

1)

2,897.58 GBP



2 1x Tempura

2)

382.80 GBP



1) £7244

EXTRA 2) £957

## Configuration details

weinor Ltd 73 Cornhill EC3V 3QQ London

### C P Interiors

**Rue Des Pres Trading Estate  
GB-JE2 7QN St Saviour Jersey**

reference: Littlechild LED  
 Your order no.: SO16427  
 weinor customernumber: 165708  
 creation Date: 24.01.2025  
 weinor pers. in charge: William Abbott  
 phone / fax number: +49-221-59709-472  
 representat.: Chris Spickett  
 tel (representat.): 0044 ( 0) 7894443907

pos	quantity	article	price
1	1	weinor Cassita II LED	4.829,30
		Arm type : Arm with LongLife technology and high-tech belt	
		Product use : private house	
		width [cm] : 440 cm	
		Projection [cm] : 250 cm	3.493,00
		Basic colour : RAL 1000 Green beige	349,30
		no. of lamps : 7 Piece	
		no. of arms : 2 Piece	
		insulation [mm] : 0 mm	
		bracket type 1 : wall fixing	
		number of brackets 1 : 2 Piece	60,00
		FB1 Force 1 per fixing point : 2043 N	
		M = Torque per folding arm : 368 Nm	
		bracket position left [mm] : 90 mm	
		bracket position right [mm] : 90 mm	
		arm position left : 58 mm	
		arm position right : 58 mm	
		type of control : Remote-controlled motor IO Homecontrol	137,00
		Side of control (seen from the front) : Left	
		Hirschmann plug? : Hirschmann plug not assembled	14,00
		light receiver : with remote-controlled receiver for lighting	469,00
		Lighting receiver type : Lighting Receiver Variation io dimmable	
		control : hand transmitter Situo 5 io II by weinor	108,00
		Somfy radio wind sensor io : with Somfy Eolis 3D WireFree io; black housing	199,00
		Installation multi-colour : plain coloured	
		real-design : WE3-533 olive-white- block	

weinor Ltd  
73 Cornhill  
GB-EC3V 3QQ London  
weinor.com

Managing Director:  
Tim Fuldner  
General partner:  
Weinor Beteiligungs-GmbH  
Köln

VAT no.: 335 2381 16  
Company no.: 12193066  
UTR no.: 33431 24084  
EORI no.: GB335238116000

**Domestic transfers:**  
Commerzbank London  
Sort Code: 406201  
Account Number: 307 537 10

**International transfers:**  
Commerzbank London  
IBAN: GB51 COBA 4062 0130 7537 10  
Swift: MIDLGB22 a/c COBAGB2X

## Configuration details

weinor Ltd 73 Cornhill EC3V 3QQ London

Page 2 of 2

customer: 165708 reference: Littlechild LED

pos	quantity	article	price
		colour of thread Saba : white	
		Cardboard container : edges reinforcement	
		weight : 58 kg	

	value of goods	discount amount / %	net
	4.829,30	1.931,72 / 40,00	2.897,58

2	1	weinor Tempura	638,00
---	---	----------------	--------

Execution	: Tempura 1,5 KW		
Product use	: private house		
Utilisation	: universal		
width	: 50 cm		580,00
operation	: Standard hard wired - no remote control		
access	: Hirschmann plug (standard)		
Basic colour	: RAL 1000 Green beige		58,00
weight	: 2 kg		

	value of goods	discount amount / %	net
	638,00	255,20 / 40,00	382,80

value of goods GBP	discount amount	net GBP	VAT (0 %)	Total GBP
5.467,30	2.186,92	3.280,38	0,00	3.280,38

## Configuration details

weinor Ltd 73 Cornhill EC3V 3QQ London

### C P Interiors

**Rue Des Pres Trading Estate  
GB-JE2 7QN St Saviour Jersey**

reference: Littlechild  
Your order no.: SO16427  
weinor customernumber: 165708  
creation Date: 24.01.2025  
weinor pers. in charge: William Abbott  
phone / fax number: +49-221-59709-472  
representat.: Chris Spickett  
tel (representat.): 0044 ( 0 ) 7894443907

pos	quantity	article	price
1	1	weinor Cassita II	3.512,50
		Product use : private house	
		width [cm] : 440 cm	
		Projection [cm] : 250 cm	2.745,00
		Basic colour : RAL 1000 Green beige	274,50
		no. of arms : 2 Piece	
		insulation [mm] : 0 mm	
		bracket type 1 : wall fixing	
		number of brackets 1 : 2 Piece	60,00
		FB1 Force 1 per fixing point : 2043 N	
		M = Torque per folding arm : 368 Nm	
		bracket position left [mm] : 90 mm	
		bracket position right [mm] : 90 mm	
		arm position left : 58 mm	
		arm position right : 58 mm	
		type of control : Remote-controlled motor IO Homecontrol	137,00
		Side of control (seen from the front) : Left	
		Hirschmann plug? : Hirschmann plug not assembled	14,00
		control : hand transmitter Situo 1 io II by weinor	83,00
		Type of engine : Motor Sfy Sunea50 io 40/17 ohne Zubehör	
		Somfy radio wind sensor io : with Somfy Eolis 3D WireFree io; black housing	199,00
		real-design : WE3-533 olive-white- block	
		colour of thread Saba : white	
		Cardboard container : edges reinforcement	
		weight : 58 kg	

weinor Ltd  
73 Cornhill  
GB-EC3V 3QQ London  
weinor.com

Managing Director:  
Tim Fuldner  
General partner:  
Weinor Beteiligungs-GmbH  
Köln

VAT no.: 335 2381 16  
Company no.: 12193066  
UTR no.: 33431 24084  
EORI no.: GB335238116000

**Domestic transfers:**  
Commerzbank London  
Sort Code: 406201  
Account Number: 307 537 10

**International transfers:**  
Commerzbank London  
IBAN: GB51 COBA 4062 0130 7537 10  
Swift: MIDLGB22 a/c COBAGB2X

## Configuration details

weinor Ltd 73 Cornhill EC3V 3QQ London

customer: 165708 reference: Littlechild Page 2 of 2

pos	quantity	article			price
-----	----------	---------	--	--	-------

		value of goods	discount amount / %	net
		3.512,50	1.405,00 / 40,00	2.107,50

value of goods GBP	discount amount	net GBP	VAT (0 %)	Total GBF
3.512,50	1.405,00	2.107,50	0,00	2.107,50

1 1x Cassita II

2,107.50 GBP


 $x2.5 = £5269$ 

If with 5x channel remote  
for heater £ ~~2122.50~~  $\times 2.5 =$  ~~£5306~~

taken the LED one and  
For pricing of lights I have deducted the price of  
a standard one.