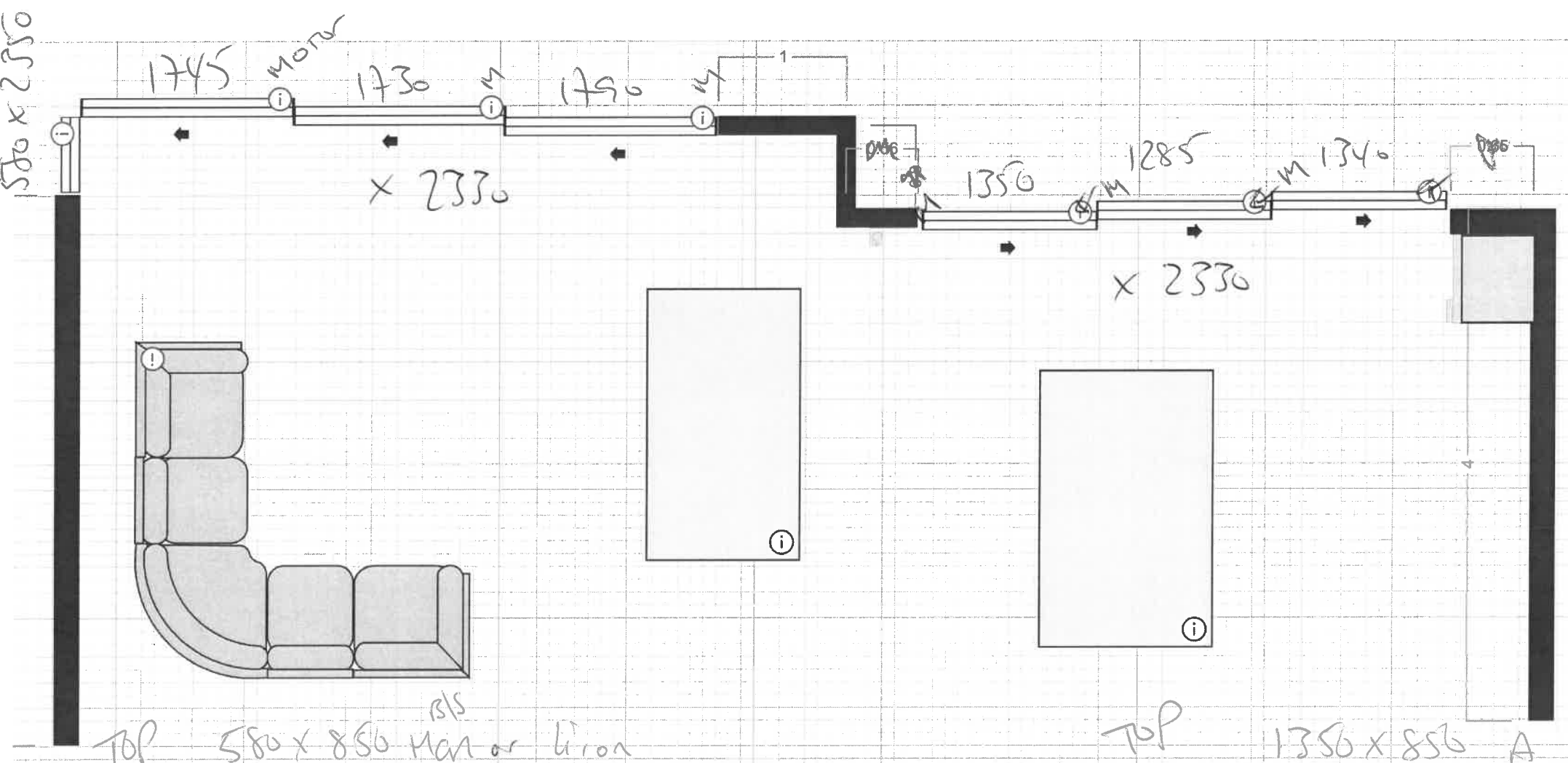


580 x 2350 RS or
Part
vibr

R/Roll



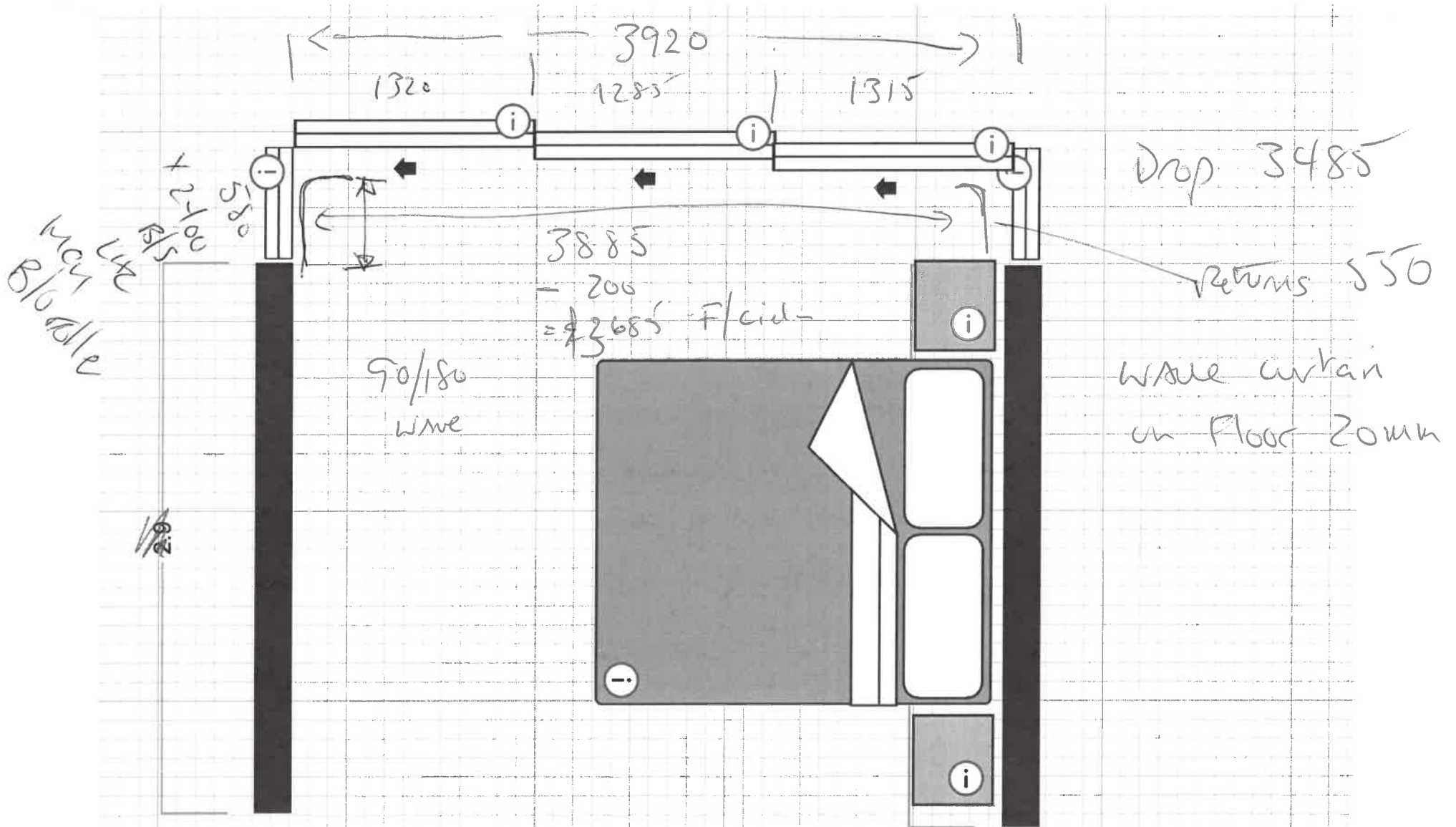
TOP 580 x 850 RS
Man or Iron

TOP 1350 x 850 A

1745 x 850 A
1730 x 850 A
1790 x 850 A
normal roll

1 x Motor on R

1285 x 850 A
1340 x 850 A
1 x Motor LH



Stay Roller 1520 x 1346 B/S
 FFASCH

RHC / Bed 2 1535 x 1330
 roller + Roman ~~1685 x 1530~~ B/S
 Bed 3 1515 x 1330
 RHC