

**Ms. Angharad Prescott**

**2 Keel House  
Green Street  
St Helier  
JE2 4UG**

Date	Reference	Your Contact
20-09-2024	SO16034	Rachel

Customer Ref.
Voiles and roller blinds

## Quote

Our Price Promise to you  
We are so confident our pricing is competitive, that we will beat any written quotation for equivalent product by 5%

### Supply & Fit/Supply Only

Location	Product	Description	Qty	Price
Living Room W1	Roller blind	Roller blind in Vermont Hemp. Manually operated with a side silver chain (side TBC), ✓	1	£ 183.00
Living Room W2	Roller blind		1	£ 183.00
Living Room W3	Roller blind		1	£ 207.00
Living Room W4	Roller blind		1	£ 183.00
Living Room W5	Roller blind		1	£ 183.00
Living Room	Curtain Making	Pair of voiles, with a double pleat header. Unlined with a lead weight inside a 75mm bottom hem.	1	£ 717.00
Living Room Voiles	Fabric	9.5m of Asolo Soft Pink @ £125 per metre, ✓	1	£ 1,187.50
Living Room	Curtain Pole / Track	SG3840 in white with four bends and standard gliders. Cord operation with a side cord on each side of the track (due to the 4 bends) TBC. ✓	1	£ 741.00
Living Room	Labour	To create templates for Living Room tracks,	1	£ 138.00

**Terms : 50% deposit due with order, 50% on completion**

BACS Payment		Phone and Card Payment		Subtotal : £ 3,722.50	
Bank:	NatWest	Payment can be made in person or by phone.			
Sort Code:	60 12 03	If phone, please call us on 01534 768141 and have your card details ready.			
Account No:	66577772	Note, we do not accept American Express or Cheque payments.		GST : £ 186.13	
Carpet Protection (C.I) Ltd T/A CP Interiors				Total : £ 3,908.63	

Please note: This quotation is only valid for acceptance for 7 days. Our estimate does not include any electrical work or additional carpentry work to install the above unless otherwise specified. Please note there is a handling charge on customer own fabric of £7.50 per metre. Due to high costs of labour, pre-arranged missed fitting appointments will be charged on a time-wasted basis. Settlement is due on completion of works and an administration charge of £25 will be added per month if unpaid within 30 days. We reserve the right to charge for design, advice and liaison work carried out should an order not be placed. Goods remain the property of CP Interiors until full settlement is received. Should payment not be received we reserve the right to attend premises during working hours to remove goods and not be required to make good. Our full terms and conditions apply and are available on request.

**Tropical Blinds Ltd**

Unit 6 and 7 Five Arches Business Est  
off Maidstone Road  
Sidcup  
Kent DA14 5AE  
T: 020 8269 6400  
F: 020 8269 6401



tropical  
blinds

**Order Acknowledgement**

Cust Order No : SO16034 PRESCOTT  
Order Date : 14/10/2024  
Order No : 928510  
Account Ref : CPS007  
Despatch method : DHL Economy  
Delivery Date : 29/10/2024  
Carriage Type : DHL Economy Select

**Order to :**

C.P Interiors  
Rue Des Pres Trading Estate  
St. Saviour  
Jersey  
Channel Islands  
JE2 7QN

**Deliver to :**

C.P Interiors 2  
Rue Des Pres Trading Estate  
St Saviour  
Jersey  
Channel Islands  
JE2 7QN

Type	Colour	Width	Drop	Quantity	Unit Price	Disc %	Net
Roller	Vermont Hemp R/F (L)	700	1600	1	101.49	51.92	48.80
32mm Roller Tube, Standard Brackets Req., Standard P.V.C. Bottom Rail - 5m - White, Left Hand Control, White, Silver					0.00		
No. 10 Metal Operating Chain, Standard Roll, Easybreak No.10 Chain Connector - Grey For Metal Chain							
Measurement: Blind Size		Spec. Ins:					
Install Height: Not Specified		Location: Living Room W1					
Roller	Vermont Hemp R/F (L)	700	1600	1	101.49	51.92	48.80
32mm Roller Tube, Standard Brackets Req., Standard P.V.C. Bottom Rail - 5m - White, Left Hand Control, White, Silver					0.00		
No. 10 Metal Operating Chain, Standard Roll, Easybreak No.10 Chain Connector - Grey For Metal Chain							
Measurement: Blind Size		Spec. Ins:					
Install Height: Not Specified		Location: Living Room W2					
Roller	Vermont Hemp R/F (L)	700	2200	1	118.36	51.92	56.91
32mm Roller Tube, Standard Brackets Req., Standard P.V.C. Bottom Rail - 5m - White, Left Hand Control, White, Silver					0.00		
No. 10 Metal Operating Chain, Standard Roll, Easybreak No.10 Chain Connector - Grey For Metal Chain							
Measurement: Blind Size		Spec. Ins:					
Install Height: Not Specified		Location: Living Room W3					
Roller	Vermont Hemp R/F (L)	700	1600	1	101.49	51.92	48.80
32mm Roller Tube, Standard Brackets Req., Standard P.V.C. Bottom Rail - 5m - White, Right Hand Control, White, Silver					0.00		
No. 10 Metal Operating Chain, Standard Roll, Easybreak No.10 Chain Connector - Grey For Metal Chain							
Measurement: Blind Size		Spec. Ins:					
Install Height: Not Specified		Location: Living Room W4					

Roller Vermont Hemp R/F (L) 700 1600 1 101.49 51.92 48.80

32mm Roller Tube, Standard Brackets Req., Standard P.V.C. Bottom Rail - 5m - White, Right Hand Control, White, Silver 0.00  
No. 10 Metal Operating Chain, Standard Roll, Easybreak No.10 Chain Connector - Grey For Metal Chain

Measurement: Blind Size Spec. Ins:

Install Height: Not Specified Location: Living Room W5

---

If a Premium carriage service is requested (Pre Noon, Pre 10.30, Saturday or Saturday Pre Noon) the relevant charge will be applied to your invoice. Goods delivered to the following areas: Cornwall, Dyfed, Powys, Anglesey, Gwynedd, Scotland, Isle of Wight, Isle of Man, Isle of Scilly, Channel Isles, Northern Ireland and Republic of Ireland will be subject to a carriage charge as detailed on Page 2 of our trade price list. These carriage charges may not appear on your order acknowledgement but will be applied to your invoice

Net Price :	£252.11
VAT :	£0.00
Total :	£252.11

**Tropical Blinds Ltd**

**Quotation**  
Customer Copy

Unit 6 and 7 Five Arches Business Est  
off Maidstone Road  
Sidcup  
Kent  
DA14 5AE  
Tel: 020 8269 6400 Fax: 020 8269 6401

**Vat No:** 324 0532 02  
**Cust Order No:** SO16034 PRESCOTT  
**Order Date:** 20/09/2024  
**Order No:** 4608043  
**Cust Ref:**  
**Account Ref:** CPS007  
**Despatch Method:**DHL Economy

**Order To:**  
C.P Interiors 2  
Rue Des Pres Trading Estate  
St Saviour  
Jersey  
Channel Islands  
JE2 7QN

**Deliver To:**  
C.P Interiors 2  
Rue Des Pres Trading Estate  
St Saviour  
Jersey  
Channel Islands  
JE2 7QN

Type	Colour	Width	Drop	Quantity	Unit Price	Disc %	Net
1. Roller	Vermont Hemp R/F (L)	700	1600	1	101.49	51.92	48.80
32mm Roller Tube, Standard Brackets Req., Standard P.V.C. Bottom Rail - 5m - White, Left Hand Control, White, Silver No. 10 Metal Operating Chain, No Scallop, No Braid Required, N/A, No Pole, No Finial, No Eyelets Required, No Pull Required, No Hold Down Clips Required, Standard Roll, No Specials, No Specials, Easybreak No.10 Chain Connector - Grey For Metal Chain, Not Applicable Measurement: Blind Size Spec. ins: Chain Length: 1000 Location: Living Room W1 Fitting ins:							
2. Roller	Vermont Hemp R/F (L)	700	1600	1	101.49	51.92	48.80
32mm Roller Tube, Standard Brackets Req., Standard P.V.C. Bottom Rail - 5m - White, Left Hand Control, White, Silver No. 10 Metal Operating Chain, No Scallop, No Braid Required, N/A, No Pole, No Finial, No Eyelets Required, No Pull Required, No Hold Down Clips Required, Standard Roll, No Specials, No Specials, Easybreak No.10 Chain Connector - Grey For Metal Chain, Not Applicable Measurement: Blind Size Spec. ins: Chain Length: 1000 Location: Living Room W2 Fitting ins:							
3. Roller	Vermont Hemp R/F (L)	700	2200	1	118.36	51.92	56.91
32mm Roller Tube, Standard Brackets Req., Standard P.V.C. Bottom Rail - 5m - White, Left Hand Control, White, Silver No. 10 Metal Operating Chain, No Scallop, No Braid Required, N/A, No Pole, No Finial, No Eyelets Required, No Pull Required, No Hold Down Clips Required, Standard Roll, No Specials, No Specials, Easybreak No.10 Chain Connector - Grey For Metal Chain, Not Applicable Measurement: Blind Size Spec. ins: Chain Length: 1400 Location: Living Room W3 Fitting ins:							
4. Roller	Vermont Hemp R/F (L)	700	1600	1	101.49	51.92	48.80
32mm Roller Tube, Standard Brackets Req., Standard P.V.C. Bottom Rail - 5m - White, Left Hand Control, White, Silver No. 10 Metal Operating Chain, No Scallop, No Braid Required, N/A, No Pole, No Finial, No Eyelets Required, No Pull Required, No Hold Down Clips Required, Standard Roll, No Specials, No Specials, Easybreak No.10 Chain Connector - Grey For Metal Chain, Not Applicable Measurement: Blind Size Spec. ins: Chain Length: 1000 Location: Living Room W4 Fitting ins:							
5. Roller	Vermont Hemp R/F (L)	700	1600	1	101.49	51.92	48.80
32mm Roller Tube, Standard Brackets Req., Standard P.V.C. Bottom Rail - 5m - White, Left Hand Control, White, Silver No. 10 Metal Operating Chain, No Scallop, No Braid Required, N/A, No Pole, No Finial, No Eyelets Required, No Pull Required, No Hold Down Clips Required, Standard Roll, No Specials, No Specials, Easybreak No.10 Chain Connector - Grey For Metal Chain, Not Applicable Measurement: Blind Size Spec. ins: Chain Length: 1000 Location: Living Room W5 Fitting ins:							

*B/S or Rec?  
check fascia?  
control sides?*

*B/S confirmed  
by Adrian*

*RHC*

*RHC*

---

Net Total: 252.11

VAT: 0.00

Total: 252.11

Templates Required  
For SS

~~1400~~  
384

~~Spec to send here~~

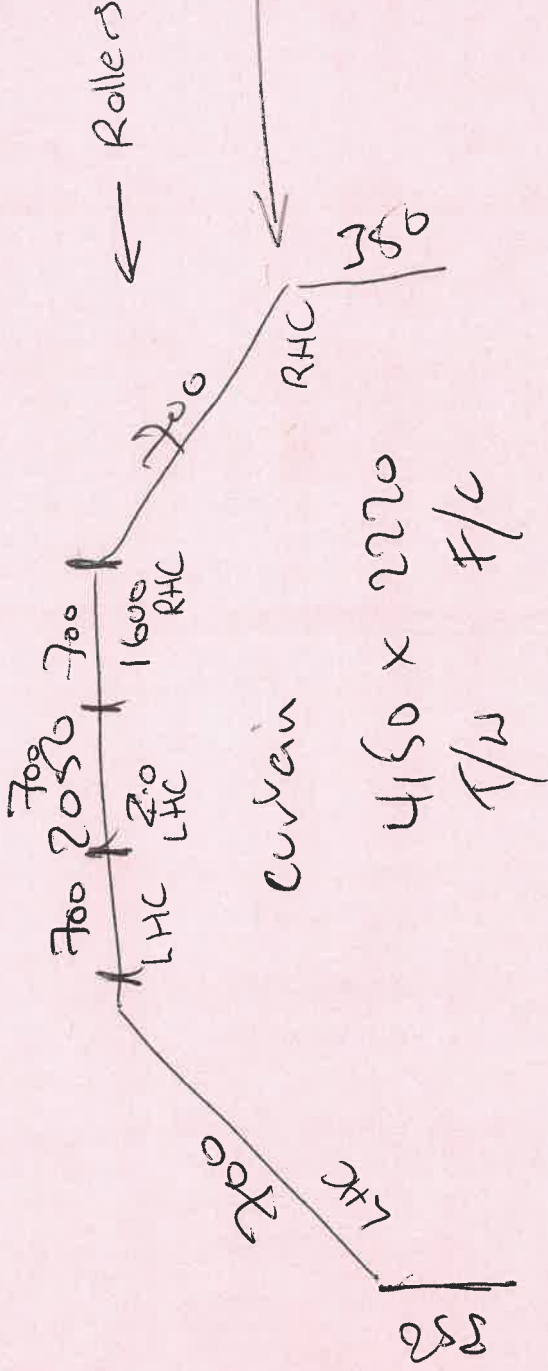
2186

Rule

776

3696 x 2220 Floor to ched

1200  
300  
251t  
no bo



Track Size



**VOILE CURTAIN ORDER FORM WEBSITE**

<b>COMPANY</b> CP Interiors		<b>CUSTOMER:</b> Prescott		<b>ORDER REF:</b> SO16034		<b>CONTACT NAME:</b> Tamara			
<b>FABRIC DETAILS:</b> Asolo Soft Pink 7710/09			<b>FABRIC WIDTH:</b> 292cm		<b>FABRIC REPEAT:</b> N/A		<b>QUANTITY:</b> 9.5m		
<b>DATE :</b> 14/10/24		<b>PC PREMIUM LINING:</b>		<b>PC STANDARD LINING:</b>		<b>PC BLACKOUT LINING:</b>		<b>TRIM/BRAID/BORDER :</b>	

<b>ALL MEASUREMENTS MUST BE IN METRIC</b>				<b>PAIR 1</b>	<b>PAIR 2</b>	<b>PAIR 3</b>	<b>HEM</b>	Lead weight inside a 75mm bottom hem
<b>PAIR</b>				Living Room			<b>CHAIN</b>	
<b>SINGLE</b>							<b>VERTICAL WEIGHT</b>	
<b>WIDTHS PER CURTAIN</b>								
<b>OVERALL DROP</b>				2184mm				
<b>HOOK HEIGHT EYE DROP</b>								
<b>TRACK SIZE</b>				3863mm				
<b>STANDARD TAPE</b>								
<b>NET PLEAT</b>								
<b>SLOT</b>								
<b>HEADING PENCIL</b>								
<b>HEADING TRIPLE PINCH</b>								
<b>HEADING DOUBLE PINCH</b>				YES				

**ADDITIONAL INFORMATION:**  
9.5m of Asolo Soft Pink arriving from Romo. Pair of voiles with a double pleat header, unlined with a lead weight inside a 75mm bottom hem.

**SINGLE PLEAT & CARTRIDGE PLEAT(CIRCUMFERENCE OF PLEAT IN CM)**

**CARTRIDGE FILLED OR UNFILLED**

**HEADING WAVE**

<b>EYELET SIZE</b>	<b>BLACK</b>	<b>BRASS</b>	<b>CHROME</b>	<b>COPPER</b>	<b>SATIN SILVER</b>	<b>ANTIQUE BRASS</b>	<b>OLD NICKEL</b>
<b>40MM</b>							
<b>50MM</b>							
<b>66MM</b>							

**THIS ORDER INCLUDES ON A SEPARATE SHEET (PLEASE TICK APPROPRIATE BOX)**

# THE ROMO GROUP

Romo Ltd.  
Oddicroft Lane  
Sutton-in-Ashfield  
Nottingham NG17 5FB

EORI No. GB116619866000  
VAT Reg No. 116619866  
Tel No. 00 44 1623 727016

## ORDER CONFIRMATION

### Invoice Address

CARPET PROTECTION (CI) LIMITED  
T/A CP INTERIORS  
RUE DES PRES TRADING ESTATE  
ST SAVIOUR  
JERSEY  
JE2 7QN

### Delivery Address

PREMIER CHOICE  
3-5 ALGOES WAY  
  
WISBECH  
CAMBS  
PE13 2TQ

PAGE 1

Account	Invoice Date	Order No.	Carrier	Parcels	Your Order No.	Currency
57744	10/10/24	EX291945	UPS UK Standard		SO16034 PRESCOTT	STERLING

Quantity	Description	Price	%	Value
9.5	<p>METRES RF 7710/09 ASOLO SOFT PINK Commodity Code: 5309190000 100% Linen This fabric has been dyed using reactive dyes. Do not apply any treatments to the face of the cloth as this may affect the colour</p> <p>We note these goods are being sent to an address that differs from the accounting address. It is particularly important you check visually that the goods physically correspond with the sample from which the order was placed. i.e. correct design, colour, shade etc.</p> <p>All supplies are made subject to the Romo Terms and Conditions of Sale (as amended), copies of which are available on request in our Trade Price List or on the trade section of our website at <a href="http://www.romo.com">www.romo.com</a>.</p>	62.50		593.75

THIS IS AN ORDER CONFIRMATION  
PLEASE DO NOT PAY. A VAT INVOICE WILL FOLLOW.

VAT Summary		
Code	Goods	VAT
S 20.00%		118.75

Goods	593.75
VAT	118.75
<b>Total</b>	<b>712.50</b>

\_index\_OC142908

1

# Order Confirmation



**Silent Gliss Limited**  
 Pyramid Business Park, Poorhole Lane  
 Broadstairs, Kent, CT10 2PT, England  
 01843 863571.  
 info@silentgliss.co.uk  
 www.silentgliss.co.uk



**Silent Gliss Order No:** 961829/1  
**Customer Reference:** SO16034/25/7  
**Account No:** 0028823  
**Order Date:** 14/10/2024  
**Anticipated Despatch Date:** 23/10/2024  
**Carrier Shipping Goods:** COLLECT  
**Carrier Service:** COLLECTED  
**Internal Contact:** Sally Brown

Invoice address:  
 C P Interiors  
 Rue des Pres Trading Estate  
 Longueville  
 St Saviour, Jersey  
 EORI: GB013519254000  
 JE2 7QN

Delivery address:  
 C P Interiors  
 Rue des Pres Trading Estate  
 Longueville  
 St Saviour  
 Jersey INCOTERMS DAP  
 JE2 7QN

Order Details	Qty	Net Value (GBP)
<b>Order Comments</b>		
ORDERS: STOCK SO16034 - PRESCOTT SO16125 - JARRETT SO16207 - COUTANCHE		
<hr/>		
3840 A W Length : 3.663M WHITE READY ASSEMBLED CORD OPERATED CURTAIN TRACK PRESCOTT **BEND AS PER PLOT**		
Value in GBP	1.00	264.77
Discount @ 50.000% & .000%	1.00	132.39-
Net in GBP 132.38		
<hr/>		
3840BD 1 3840 ANGLE BENDING CHARGE		
Value in GBP	4.00	234.00
Discount @ 33.333% & .000%	1.00	78.00-
Net in GBP 156.00		
<hr/>		
11295 W In Units of : 10 END STOP WHITE STOCK		
Value in GBP	2.00	21.34
Discount @ 50.000% & .000%	1.00	10.67-
Net in GBP 10.67		
<hr/>		
6365 In Units of : 10 HANGER FOR WAVE STOCK		
Value in GBP	2.00	91.82
Discount @ 50.000% & .000%	1.00	45.91-
Net in GBP 45.91		
<hr/>		
6364 In Units of : 10 EXTENSION FOR WAVE STOCK		
Value in GBP	2.00	110.14
Discount @ 50.000% & .000%	1.00	55.07-
Net in GBP 55.07		
<hr/>		

# Order Confirmation



**Silent Gliss Limited**  
 Pyramid Business Park, Poorhole Lane  
 Broadstairs, Kent, CT10 2PT, England  
 01843 863571.  
 info@silentgliss.co.uk  
 www.silentgliss.co.uk



**Silent Gliss Order No:** 961829/1  
**Customer Reference:** SO16034/25/7  
**Account No:** 0028823  
**Order Date:** 14/10/2024  
**Anticipated Despatch Date:** 23/10/2024  
**Carrier Shipping Goods:** COLLECT  
**Carrier Service:** COLLECTED  
**Internal Contact:** Sally Brown

Invoice address:  
 C P Interiors  
 Rue des Pres Trading Estate  
 Longueville  
 St Saviour, Jersey  
 EORI: GB013519254000  
 JE2 7QN

Delivery address:  
 C P Interiors  
 Rue des Pres Trading Estate  
 Longueville  
 St Saviour  
 Jersey INCOTERMS DAP  
 JE2 7QN

Order Details	Qty	Net Value ( GBP )
11216 W In Units of : 10 SQUARE SMART FIX SET 60MM WITH SLOT SET WHITE JARRETT Value in GBP Discount @ 50.000% & .000% Net in GBP 69.44	1.00 1.00	138.88 69.44-
7620 A TU Length : 1100.000M 50MM TAUPE HAND DRAWN ASSEMBLED SYSTEM * with STUD END CAP COUTANCHE Value in GBP Discount @ 50.000% & .000% Net in GBP 358.55	2.00 1.00	717.10 358.55-
<b>Total (Ex. VAT):</b>		<b>£828.02</b>

## Tamara Lopez-Dominguez

---

**From:** Donna Cleaver <DonnaCleaver@SilentGliss.co.uk>  
**Sent:** 11 October 2024 15:08  
**To:** Home  
**Cc:** Sally Brown  
**Subject:** RE: SO15988 Prescott

**Follow Up Flag:** Follow up  
**Flag Status:** Completed

Hi Tamara,

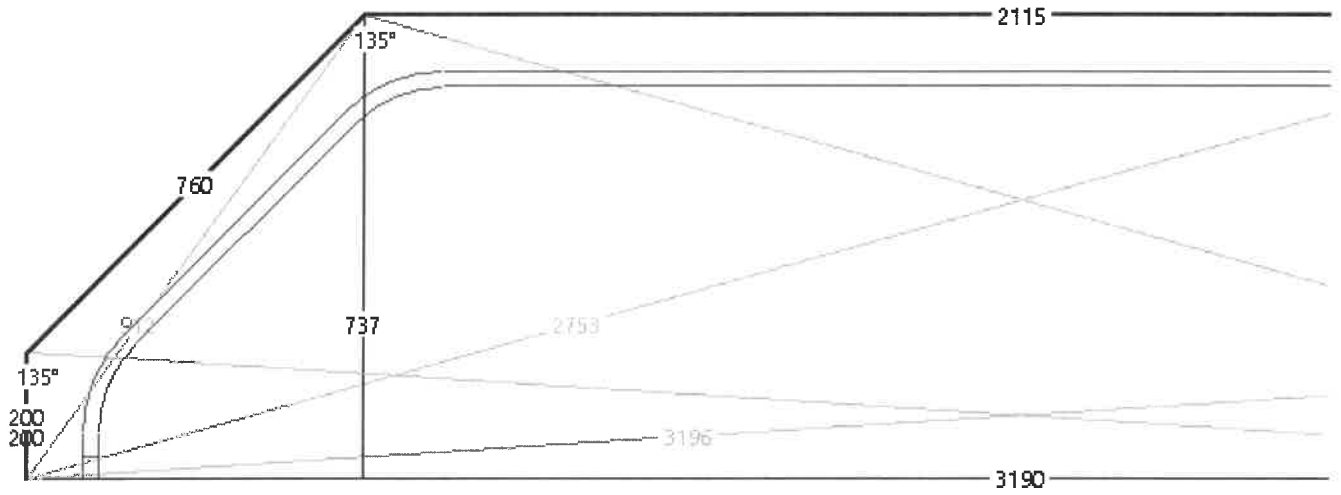
Apologies for the delay in getting back to you, I have drawn the plot below. Hopefully this is correct. The overall track size is 3663mm and that's wall projection of 100mm to centre line of track.

If you wanted the track corded both sides then you would need an intermediate pulley for this.

Using: 3840CD R200 (Profile 3841) track with 3825/6 (100mm) brackets.

Control Location(s) - Not Specified, No Intermediate Pulley

Wall Length = 4035mm, Rail Length = 3663mm, Track Offset (Wall to back of Track) = 89mm



<

Facets

LH 4

Bay Ar

Angles & Face

Facet Length

Internal

Bend Radii

Kind Regards,

Donna Cleaver

Sales Co-Ordinator

—  
**Silent Gliss Ltd.**  
Pyramid Business Park  
Poorhole Lane  
Broadstairs  
Kent, CT10 2PT

T: +44 (0)1843 874211 (direct)  
[www.silentgliss.co.uk](http://www.silentgliss.co.uk)

---

**From:** Home <[home@cpinteriors.ie](mailto:home@cpinteriors.ie)>  
**Sent:** 11 October 2024 09:42  
**To:** Sally Brown <[SallyBrown@SilentGliss.co.uk](mailto:SallyBrown@SilentGliss.co.uk)>  
**Subject:** RE: SO15988 Prescott

Hi Sally,

I hope you are well.

Would you please be able to advise on the final track size based on the attached? It would still be the 3840 in white with standard gliders and top fix.

Would they still need two pulleys? Many thanks.

We are hoping to be able to place the order this morning together with a couple of other items.

Kind Regards

*Tamara*  
Lopez-Dominguez

Interior Design Advisor  
[tamara@cpinteriors.ie](mailto:tamara@cpinteriors.ie)



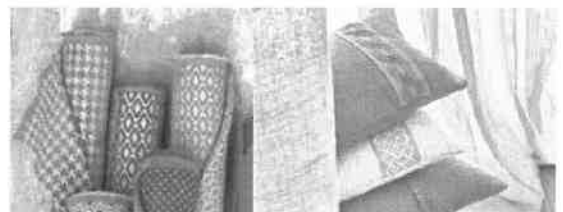
Unit 28 Rue Des Pres Trading Estate

St Saviour

Jersey

JE2 7QN

01534 768141 | [www.cpinteriors.ie](http://www.cpinteriors.ie)



With our CP Price promise, we will beat any  
\*\* On like for like products only

---

**From:** Sally Brown <[SallyBrown@SilentGliss.co.uk](mailto:SallyBrown@SilentGliss.co.uk)>  
**Sent:** 20 September 2024 12:07  
**To:** Home <[home@cpinteriors.ie](mailto:home@cpinteriors.ie)>  
**Subject:** RE: SO15988 Prescott

## Tamara Lopez-Dominguez

---

**From:** Home  
**Sent:** 20 September 2024 13:33  
**To:** Tamara Lopez-Dominguez  
**Subject:** FW: SO15988 Prescott

---

**From:** Sally Brown <SallyBrown@SilentGliss.co.uk>  
**Sent:** 20 September 2024 12:07  
**To:** Home <home@cpinteriors.ie>  
**Subject:** RE: SO15988 Prescott

Hi,

1 x 3840 white @ 4035mm with standard gliders = £233.79 list ex. VAT  $-40\% \times 2.5 = £350.69$   
4 x angle bend charges = £234.00 list ex. VAT  $-33.33\% \times 2.5 = £390$

Kind regards,

Tabitha

Cc

Sally Brown

Senior Sales Co-Ordinator

—  
**Silent Gliss Ltd.**  
Pyramid Business Park  
Poorhole Lane  
Broadstairs  
Kent, CT10 2PT

T: +44 (0)1843 874218 (direct)  
[www.silentgliss.co.uk](http://www.silentgliss.co.uk)

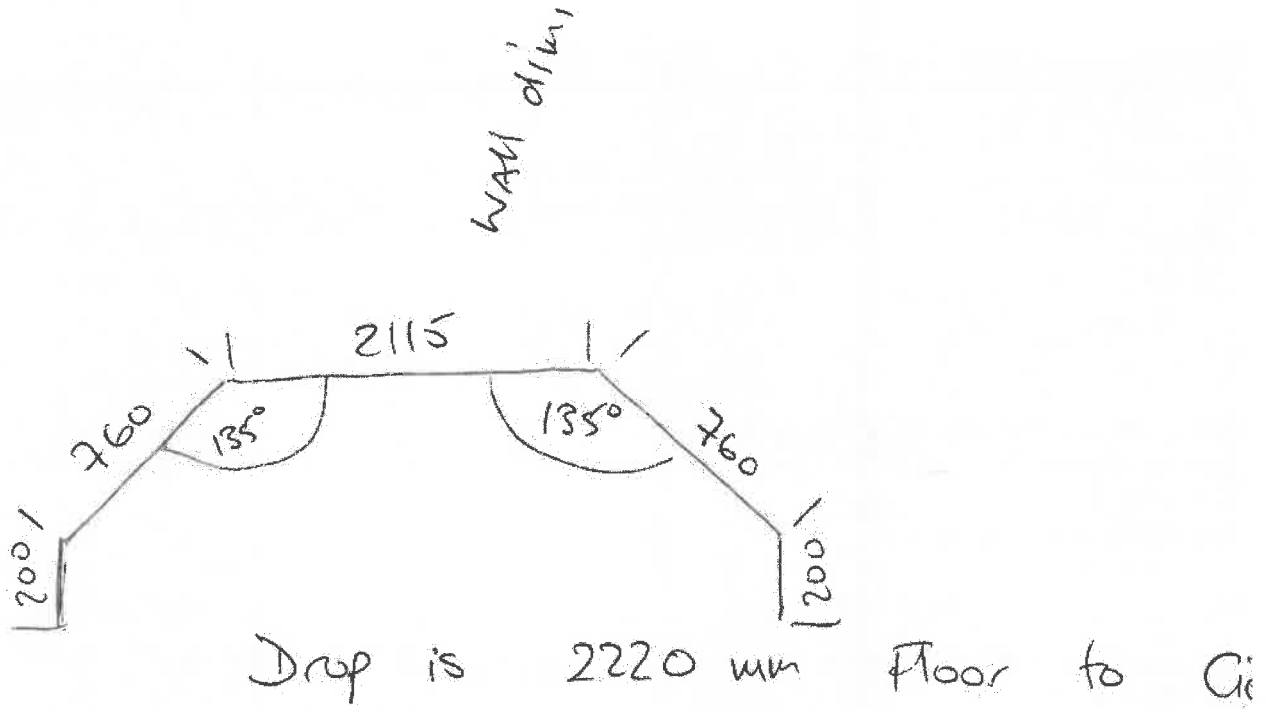
---

**From:** Home <home@cpinteriors.ie>  
**Sent:** 20 September 2024 11:36  
**To:** Sally Brown <SallyBrown@SilentGliss.co.uk>  
**Subject:** RE: SO15988 Prescott

Hi Sally,

Would you please be able to review the below with the following information:

SG3840 in white with standard gliders:



These are wall sizes. Many thanks.

Kind Regards

*Tamara*  
Lopez-Dominguez

Interior Design Advisor  
[tamara@cpinteriors.je](mailto:tamara@cpinteriors.je)



Unit 28 Rue Des Pres Trading Estate  
St Saviour  
Jersey  
JE2 7QN  
01534 768141 | [www.cpinteriors.je](http://www.cpinteriors.je)  
 



With our CP Price promise, we will beat any  
\*\* On like for like products only

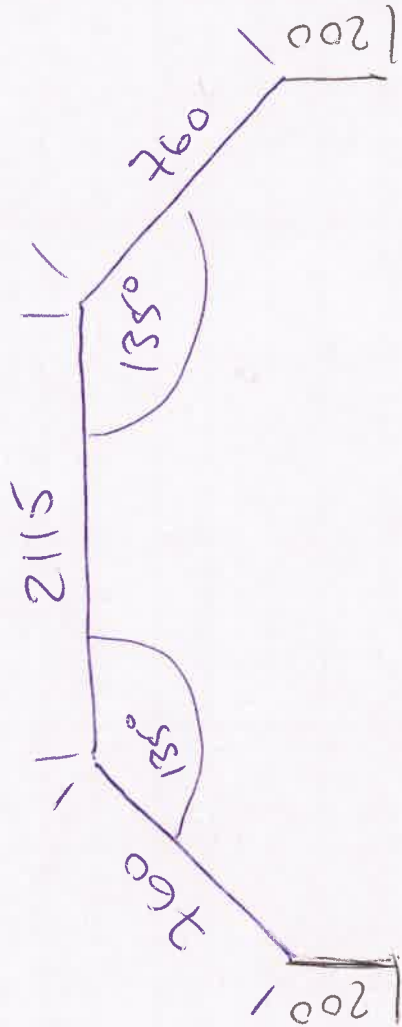
**From:** Sally Brown <[SallyBrown@SilentGliss.co.uk](mailto:SallyBrown@SilentGliss.co.uk)>  
**Sent:** 21 August 2024 14:05  
**To:** Home <[home@cpinteriors.je](mailto:home@cpinteriors.je)>  
**Cc:** Jonathan Callen <[jonathancallen@silentgliss.co.uk](mailto:jonathancallen@silentgliss.co.uk)>  
**Subject:** RE: SO15988 Prescottt

Hi Tamara,

Thank you for your email.

WALL DIMS

FOR VALUES



Drop is 2220 mm Floor to Ceiling

100 mm out from wall for Track

TRACK SIZE IS 3663 mm





# CP INTERIORS

Ms. Angharad Prescott

2 Keel House  
Green Street  
St Helier  
JE2 4UG

Date	Reference	Your Contact
21-08-2024	SO16034	Rachel

<b>Customer Ref.</b>
----------------------

Option Voiles and BO Roller Blinds
------------------------------------

## Quote

Our Price Promise to you  
We are so confident our pricing is competitive, that we will beat any written quotation for equivalent product by 5%

### Supply & Fit/Supply Only

Location	Description	QTY	Price
Living Room W1	Roller blind in Banlight Duo BO Nude. Manually operated with a side silver chain (side TBC), Roller blind,	1	£ 183.00
Living Room W2	Roller blind,	1	£ 183.00
Living Room W3	Roller blind,	1	£ 207.00
Living Room W4	Roller blind,	1	£ 183.00
Living Room W5	Roller blind,	1	£ 183.00
	<b>OR,</b>		
Living Room W1	Roller blind in Banlight Duo BO Nude. Operated with a Somfy Sonesse Ultra 30 RTS Li-Ion rechargeable battery motor. Roller blind,	1	£ 394.00
Living Room W2	Roller blind,	1	£ 394.00
Living Room W3	Roller blind,	1	£ 418.00
Living Room W4	Roller blind,	1	£ 394.00
Living Room W5	Roller blind,	1	£ 394.00
	Situo 5 remote and charger,	1	£ 100.00
	Optional Upgrade, 5x 20cm Li-Ion magnetic adapters and 1x 85cm Li-Ion Magnetic extension, <i>£63 to be added to subtotal</i>		
Living Room	Curtain Making, Pair of voiles, with a double pleat header. Unlined with a lead weight inside a 75mm bottom hem.	1	£ 717.00
Living Room Voiles	Fabric, 9.5m of Warwick Flanders @£58 per metre,	1	£ 551.00
Living Room	Curtain Pole / Track, SG3840 in white with two bends and standard gliders. Cord operation with side cord (side TBC).	1	£ 514.00
Living Room	To create templates for Living Room tracks,  Subject to final measurements.,	1	£ 138.00

**Terms :** 50% deposit due with order, 50% on completion

<b>BACS Payment</b>	
Bank:	NatWest
Sort Code:	60 12 03
Account No:	66577772
Carpet Protection (C.I) Ltd T/A CP Interiors	

<b>Phone and Card Payment</b>
Payment can be made in person or by phone. If phone, please call us on 01534 768141 and have your card details ready. Note, we do not accept American Express or Cheque payments.

**\*Prices are subject to  
GST\***

Please note: This quotation is only valid for acceptance for 7 days. Our estimate does not include any electrical work or additional carpentry work to install the above unless otherwise specified. Please note there is a handling charge on customer own fabric of £5 per metre. Due to high costs of labour, pre-arranged missed fitting appointments will be charged on a time-wasted basis. Settlement is due on completion of works and an administration charge of £25 will be added per month if unpaid within 30 days. We reserve the right to charge for design, advice and liaison work carried out should an order not be placed. Goods remain the property of CP Interiors until full settlement is received. Should payment not be received we reserve the right to attend premises during working hours to remove goods and not be required to make good. Our full terms and conditions apply and are available on request.

Asolo soft pink - Rome → Re price for voiles  
 Warwick Hydra Natural - →



**CP INTERIORS**

Ms. Angharad Prescott

2 Keel House  
 Green Street  
 St Helier  
 JE2 4UG


Date	Reference	Your Contact
05-08-2024	SO15988	Tamara

Customer Ref.

**Quote**

Our Price Promise to you  
 We are so confident our pricing is competitive, that we will beat any written quotation for equivalent product by 5%

**Supply & Fit/Supply Only**

Location	Description	QTY	Price
Living Room	Premium Cuba hardwood full height shutter panels, with 76mm louvres and split and silent tilt mechanism, finished in Pure White including frames and trimmings for uneven windows where required., <b>Plantation Shutter</b> , 1 window, 2 panels LR	1	£ 549.00
Bedroom	<b>Plantation Shutter</b> , 1 window, 2 panels LR	1	£ 548.00
	<i>pure white</i> 		
Living Room	<b>Pair of voiles</b> , with a double pleat header. Unlined with a lead weight inside a 75mm bottom hem.	1	£ 717.00
	<b>Fabric</b> , 9.5m of a plain double width fabric of your choice. Price guide based on Warwick Rhodes @£32 per metre,	1	£ 304.00
	<b>Curtain Pole / Track</b> , SG3840 in white with two bends and standard gliders. Cord operation with side cord (side TBC).	1	£ 514.00
	Hand finished <b>pair of curtains</b> , with a double pleat header and standard lining.	1	£ 1,144.00
	<b>Fabric</b> , 20.5m of a plain single width fabric. Price guide based on Villa Nova Lucerne @£38 per metre, <i>SG3840</i>	1	£ 779.00
	<b>Curtain Pole / Track</b> , SG7610 30mm Metropole in white, with stud/flush ends, two bends and standard gliders. Hand operation. Includes two 150cm white draw rods.	1	£ 1,180.00
	To create templates for Living Room tracks,	1	£ 138.00
	Curtain tracks subject to final measurements.,		
	For the Plantation Shutters, delivery is approximately 10-12 weeks from the time of placing your order. An airfreight service is available to you at an extra cost reducing the delivery time to an average of 8 to 9 weeks. An accurate costing may be given on request.		

*separate off onto new SO. Re quote BLO unlined + quote*

*380 514*

**Terms :** 50% deposit due with order, 50% on completion

BACS Payment	
Bank:	NatWest
Sort Code:	60 12 03
Account No:	66577772
Carpet Protection (C.I) Ltd T/A CP Interiors	

Phone and Card Payment
Payment can be made in person or by phone. If phone, please call us on 01534 768141 and have your card details ready.
Note, we do not accept American Express or Cheque payments.

<b>Subtotal :</b>	<b>£ 5,873.00</b>
<b>GST :</b>	<b>£ 293.65</b>
<b>Total :</b>	<b>£ 6,166.65</b>

*meter option*

Please note: This quotation is only valid for acceptance for 7 days. Our estimate does not include any electrical work or additional carpentry work to install the above unless otherwise specified. Please note there is a handling charge on customer own fabric of £5 per metre. Due to high costs of labour, pre-arranged missed fitting appointments will be charged on a time-wasted basis. Settlement is due on completion of works and an administration charge of £25 will be added per month if unpaid within 30 days. We reserve the right to charge for design, advice and liaison work carried out should an order not be placed. Goods remain the property of CP Interiors until full settlement is received. Should payment not be received we reserve the right to attend premises during working hours to remove goods and not be required to make good. Our full terms and conditions apply and are available on request.

**Tropical Blinds Ltd**

**Quotation**  
Customer Copy

Unit 6 and 7 Five Arches Business Est  
off Maidstone Road  
Sidcup  
Kent  
DA14 5AE  
Tel: 020 8269 6400 Fax: 020 8269 6401

**Vat No:** 324 0532 02  
**Cust Order No:** SO16034 PRESCOTT  
**Order Date:** 21/08/2024  
**Order No:** 4608043  
**Cust Ref:**  
**Account Ref:** CPS007  
**Despatch Method:** DHL Economy

**Order To:**  
C.P Interiors 2  
Rue Des Pres Trading Estate  
St Saviour  
Jersey  
Channel Islands  
JE2 7QN

**Deliver To:**  
C.P Interiors 2  
Rue Des Pres Trading Estate  
St Saviour  
Jersey  
Channel Islands  
JE2 7QN

Type	Colour	Width	Drop	Quantity	Unit Price	Disc %	Net
1. Roller 32mm Roller Tube, Standard Brackets Req., Standard P.V.C. Bottom Rail - 5m - White, Left Hand Control, White, Silver No. 10 Metal Operating Chain, No Scallop, No Braid Required, N/A, No Pole, No Finial, No Eyelets Required, No Pull Required, No Hold Down Clips Required, Standard Roll, No Specials, No Specials, Easybreak No.10 Chain Connector - Grey For Metal Chain, Not Applicable Measurement: Blind Size Location: Living Room W1	Banlight DUO FR B/O Nude R/F (E)700	1600	1600	1	119.23	51.92	57.33
				Chain Length: 1000	£183		
2. Roller 32mm Roller Tube, Standard Brackets Req., Standard P.V.C. Bottom Rail - 5m - White, Left Hand Control, White, Silver No. 10 Metal Operating Chain, No Scallop, No Braid Required, N/A, No Pole, No Finial, No Eyelets Required, No Pull Required, No Hold Down Clips Required, Standard Roll, No Specials, No Specials, Easybreak No.10 Chain Connector - Grey For Metal Chain, Not Applicable Measurement: Blind Size Location: Living Room W2	Banlight DUO FR B/O Nude R/F (E)700	1600	1600	1	119.23	51.92	57.33
				Chain Length: 1000	£183		
3. Roller 32mm Roller Tube, Standard Brackets Req., Standard P.V.C. Bottom Rail - 5m - White, Left Hand Control, White, Silver No. 10 Metal Operating Chain, No Scallop, No Braid Required, N/A, No Pole, No Finial, No Eyelets Required, No Pull Required, No Hold Down Clips Required, Standard Roll, No Specials, No Specials, Easybreak No.10 Chain Connector - Grey For Metal Chain, Not Applicable Measurement: Blind Size Location: Living Room W3	Banlight DUO FR B/O Nude R/F (E)700	2200	2200	1	139.13	51.92	66.89
				Chain Length: 1400	£207		
4. Roller 32mm Roller Tube, Standard Brackets Req., Standard P.V.C. Bottom Rail - 5m - White, Left Hand Control, White, Silver No. 10 Metal Operating Chain, No Scallop, No Braid Required, N/A, No Pole, No Finial, No Eyelets Required, No Pull Required, No Hold Down Clips Required, Standard Roll, No Specials, No Specials, Easybreak No.10 Chain Connector - Grey For Metal Chain, Not Applicable Measurement: Blind Size Location: Living Room W4	Banlight DUO FR B/O Nude R/F (E)700	1600	1600	1	119.23	51.92	57.33
				Chain Length: 1000	£183		
5. Roller 32mm Roller Tube, Standard Brackets Req., Standard P.V.C. Bottom Rail - 5m - White, Left Hand Control, White, Silver No. 10 Metal Operating Chain, No Scallop, No Braid Required, N/A, No Pole, No Finial, No Eyelets Required, No Pull Required, No Hold Down Clips Required, Standard Roll, No Specials, No Specials, Easybreak No.10 Chain Connector - Grey For Metal Chain, Not Applicable Measurement: Blind Size Location: Living Room W5	Banlight DUO FR B/O Nude R/F (E)700	1600	1600	1	119.23	51.92	57.33
				Chain Length: 1000	£183		
6. Roller - Somfy Sonesse Ultra 30 RTS LI-ION Sonesse Ultra 30 WF RTS 2nm LI ION Motor, Customers Own Charger, No Handset Required, Not Required, No Hub Required, 40mm Roller Tube, No Headbox Required, No Brackets Required, Standard P.V.C. Bottom Rail - 5m - White, No Scallop, No Braid Required, No Pole, No Finial, No Eyelets Required, Standard Roll, Blind is safe by design and requires no additional devices or warning labels Measurement: Blind Size Location: Living Room W1	Banlight DUO FR B/O Nude R/F (E)705	1600	1600	1	119.24	51.92	157.48
						102.47	£396/£

7. Roller - Somfy Sonesse Ultra 30 RTS LI-IONBanlight DUO FR B/O Nude R/F (E)705	2220	1	139.14	51.92	167.05
				102.47	
Sonesse Ultra 30 WF RTS 2nm LI ION Motor, Customers Own Charger, No Handset Required, Not Required, No Hub Required, 40mm Roller Tube, No Headbox Required, No Brackets Required, Standard P.V.C. Bottom Rail - 5m - White, No Scallop, No Braid Required, No Pole, No Finial, No Eyelets Required, Standard Roll, Blind is safe by design and requires no additional devices or warning labels					
Measurement: Blind Size		Spec. ins:			
Location: Living Room W3		Fitting ins:			

£418

---

Net Total:	620.74
VAT:	0.00
Total:	620.74

## Tamara Lopez-Dominguez

---

**From:** Sally Brown <SallyBrown@SilentGliss.co.uk>  
**Sent:** 21 August 2024 14:05  
**To:** Home  
**Cc:** Jonathan Callen  
**Subject:** RE: SO15988 Prescott

Hi Tamara,

Thank you for your email.

Cost for 3840 corded track as below:

3840 top fix, with standard gliders	£233.79
Intermediate pulley	£68.01
Bends @ 58.50 x 4	£234.00
<b>Total:</b>	<b>£535.80 retail exc. VAT.</b>

£ 804

Please note however, due to being corded, you are restricted with weight so maximum weight on this track would be 8kg. Also, due to having 4 bends, you would need an intermediate pulley which gives you a pull on each side of the track.

Hope this is of help.

Kind regards,

Sally Brown

Senior Sales Co-Ordinator

Silent Gliss Ltd.  
Pyramid Business Park  
Poorhole Lane  
Broadstairs  
Kent, CT10 2PT

T: +44 (0)1843 874218 (direct)  
[www.silentgliss.co.uk](http://www.silentgliss.co.uk)

---

**From:** Home <home@cpinteriors.je>  
**Sent:** Wednesday, August 21, 2024 12:29 PM  
**To:** Sally Brown <SallyBrown@SilentGliss.co.uk>  
**Cc:** Jonathan Callen <jonathancallen@silentgliss.co.uk>  
**Subject:** RE: SO15988 Prescott

Hi Sally,

Would you be able to give us an option for the 4-bend track to be also the 3840, standard gliders as well. Top fix. Many thanks.

Kind Regards

*Tamara*  
Lopez-Dominguez

# PREMIERCHOICE

MANUFACTURERS OF QUALITY CUSTOM MADE CURTAINS, PELMETS AND BLINDS

CP INTERIORS JERSEY  
CP INTERIORS JERSEY  
RUE DES PRES TRADING ESTATE  
ST SAVIOUR  
JERSEY  
JE2 7QN

Re: 6967 / 1 - SO15988 PRESCOTT

05 August 2024

Dear Customer,

THIS IS AN ESTIMATE ONLY. SHOULD YOU WISH TO PLACE AN ORDER KINDLY SEND A DETAILED WORKSHEET WHERE POSSIBLE USING THE PREMIER CHOICE ORDER FORM TO [orders@premierchoice.co.uk](mailto:orders@premierchoice.co.uk)

We thank you for your enquiry and we have the pleasure in estimating you as follows:

## LIVING ROOM

1 Pair of Voiles Double Pinch Pleat Railroaded	£	286.65
Rail size of 389cm, Drop of 222cm, Overall rail size: 389cm, 4.6 Mts in each		
Making:	9	Mts
Fabric: Wide fabric - 300cm wide, no repeat	9.2	mts
Snake weight to hem (Bottom)		

## LIVING ROOM

1 Pair of Curtains Double Pinch Pleat, Hand Finished Lined	£	457.73
Rail size of 415cm, Drop of 222cm, Overall rail size: 438cm, 4 Widths in each		
Making:	8	Widths
Fabric: 00cm pattern repeat	20.2	mts
Lining: Standard Lining	20.2	mts

10.4 MTRS OF FABRIC BASED ON 300CM WIDE RAILROADED WITH NO PATTERN REPEAT

---

Others Subtotal:	£	744.38
------------------	---	--------

---

Total:	£	744.38
--------	---	--------

---

Any additional work/material, not mentioned in the above estimate, will be invoiced for. Please note all Velvet fabrics are subject to 10% surcharge as per price list.

THIS IS AN ESTIMATE ONLY.

SHOULD YOU WISH TO PLACE AN ORDER KINDLY SEND A DETAILED WORKSHEET WHERE POSSIBLE USING THE PREMIERCHOICE ORDER FORM.

ALL EMAILED ORDERS PLEASE EMAIL TO [ORDERS@PREMIERCHOICE.CO.UK](mailto:ORDERS@PREMIERCHOICE.CO.UK)  
PLEASE QUOTE ESTIMATE NUMBER SUPPLIED.

Lead Times are subject to availability.

Assuring you of our best attention at all times.

E.& O.E

Yours Faithfully  
SallyWaddilove  
Premierchoice Ltd

# PREMIERCHOICE

MANUFACTURERS OF QUALITY CUSTOM MADE CURTAINS, PELMETS AND BLINDS

CP INTERIORS JERSEY  
CP INTERIORS JERSEY  
RUE DES PRES TRADING ESTATE  
ST SAVIOUR  
JERSEY  
JE2 7QN

Re: 6967 / 2 - SO15988 PRESCOTT

22 August 2024

Dear Customer,

THIS IS AN ESTIMATE ONLY. SHOULD YOU WISH TO PLACE AN ORDER KINDLY SEND A DETAILED WORKSHEET WHERE POSSIBLE USING THE PREMIER CHOICE ORDER FORM TO [orders@premierchoice.co.uk](mailto:orders@premierchoice.co.uk)

We thank you for your enquiry and we have the pleasure in estimating you as follows:

## LIVING ROOM

1 Pair of Curtains Double Pinch Pleat, Hand Finished Unlined	£	316.88
Rail size of 389cm, Drop of 222cm, Overall rail size: 389cm, 3.5 Widths in each		
Making:	8	Widths
Fabric: 00cm pattern repeat	19.1	mts
Snake weight to hem (Bottom)		

£792

4.9 MTRS OF FABRIC BASED ON 300CM WIDE RAILROADED WITH NO PATTERN REPEAT

## LIVING ROOM

1 Pair of Curtains Double Pinch Pleat, Hand Finished Unlined	£	298.08
Rail size of 415cm, Drop of 222cm, Overall rail size: 415cm, 5.2 Mts in each		
Making:	8	Widths
Fabric: Wide fabric - 300cm wide, no repeat	10.4	mts

£745

10.4 MTRS OF FABRIC BASED ON 300CM WIDE RAILROADED WITH NO PATTERN REPEAT

---

<b>Others Subtotal:</b>	£	614.96
<hr/>		
<b>Total:</b>	£	614.96

---

Roulo Asolo SOFT PINK 7710 / 09  
@ £125 p/m

Any additional work/material, not mentioned in the above estimate, will be invoiced for. Please note all Velvet fabrics are subject to 10% surcharge as per price list.

THIS IS AN ESTIMATE ONLY.

SHOULD YOU WISH TO PLACE AN ORDER KINDLY SEND A DETAILED WORKSHEET WHERE POSSIBLE USING THE PREMIERCHOICE ORDER FORM.

ALL EMAILED ORDERS PLEASE EMAIL TO [ORDERS@PREMIERCHOICE.CO.UK](mailto:ORDERS@PREMIERCHOICE.CO.UK)  
PLEASE QUOTE ESTIMATE NUMBER SUPPLIED.

Lead Times are subject to availability.

Assuring you of our best attention at all times.

E.& O.E

Yours Faithfully  
SallyWaddilove  
Premierchoice Ltd