



# CP INTERIORS

## QUOTE


**To:**  
Mr. Claudio Abreu  
The Rigatoni  
Liberty Wharf  
St Helier  
JE2 3NY

**Job Number:** SO15905  
**Customer Reference:**  
Mews House, Les Carrieres , Le Chemin  
du Maltieres, Grouville JE3 9EB

**Quote Date:** Wednesday 23 Oct 2024  
**Deposit required:** £ 1,198.21  
**Your Contact:** Tamara

Our Price Promise to you  
We are so confident our pricing is competitive, that we will beat any written quotation for equivalent product by 5%

### To supply and fit unless otherwise stated.

Location	Product	Description	Qty	Price
New Bedroom	<b>Curtain Making</b>	Pair of voiles, with an 80mm wave header. Unlined with a lead weight inside a bottom hem.	1	£ 473.00
	<b>Fabric</b>	7m of a plain double width sheer fabric. Ado Awake 3004/994 @ £71.90 p/m, ✓	1	£ 503.30
	<b>Curtain Pole / Track</b>	Somfy RTS 240v track in white, with 80mm wave gliders. Top fix. Left-hand side motor. Includes remote. ✓  Electrical works not included.,	1	£ 1,306.00

**Terms:** 50% deposit due with order, 50% on completion

**\*\* To go ahead with this quote please make deposit payment. To pay by card call us on 01534 768141 \*\***

Direct Deposit - Sort Code: 60-12-03 Account: 66577772

If you have any queries please call us on 01534 768141 or visit our showroom Rue des Pres Trading Estate St Saviour

**\*\* For Our Terms & Conditions of Sale please go to [www.cpinteriors.je](http://www.cpinteriors.je) \*\***

<b>Subtotal</b>	<b>£ 2,282.30</b>
<b>GST</b>	<b>£ 114.12</b>
<b>Total</b>	<b>£ 2,396.42</b>
Paid amount	£ 2,677.50
<b>Total amount</b>	<b>281.08- £</b>

Please note: This quotation is only valid for acceptance for 7 days. Our estimate does not include any electrical work or additional carpentry work to install the above unless otherwise specified. Please note there is a handling charge on customer own fabric of £7.50 per metre. Due to high costs of labour, pre-arranged missed fitting appointments will be charged on a time-wasted basis. Settlement is due on completion of works and an administration charge of £25 will be added per month if unpaid within 30 days. We reserve the right to charge for design, advice and liaison work carried out should an order not be placed. Goods remain the property of CP Interiors until full settlement is received. Should payment not be received we reserve the right to attend premises during working hours to remove goods and not be required to make good. Our full terms and conditions apply and are available on request.



ZIMMER+ROHDE

Zimmer + Rohde GmbH · Zimmersmühlenweg 14-18 · 61440 Oberursel

CP Interiors  
unit 28 Rue Des Pres Trading Estate  
St Saviour, JE2 7QN, JERSEY

**Order confirmation**

31. October 2024

**Order Number:** 5397575  
**Order Date:** 28. October 2024

**Customer No.** 4007687  
**Your Order-No.:** SO15905 RIGATONI

For queries, please give above details!

Article	Description	Quantity	UOM	Unit Price	Total Amount	GBP
10-A3004-994-300-1	Awake	7	Meter	71.90	251.65	
	Piece No.: ZS524901 7.00 M					
	Trade discount incl. VAT deduction	50.00	%		251.65	
	Shipping date: CW 45/2024					
	Temporary peak surcharge on freight (costs)					

**Value Of Goods** 251.65  
**Total GBP. Excl. VAT** 251.65

**Freight charges not included, details of charges will show on the final VAT invoice**

**Shippingaddress**

Premier Choice  
3-5 Algores Way  
PE13 2TQ Wisbech, UNITED KINGDOM

**Payment Terms:** pre-payment  
**Delivery Terms:** EXW  
**Forwarder:** ZR\_UPS\_UK / UPS Standard

**VOILE CURTAIN ORDER FORM WEBSITE**

<b>COMPANY</b> CP Interiors	<b>CUSTOMER:</b> Rigatoni	<b>ORDER REF:</b> SO15905	<b>CONTACT NAME:</b> Tamara
--------------------------------	------------------------------	------------------------------	--------------------------------

<b>FABRIC DETAILS:</b> Ado Awake 3004/994	<b>FABRIC WIDTH:</b> 300cm	<b>FABRIC REPEAT:</b> N/A (vertical slub)	<b>QUANTITY:</b> 7m	<b>RAILROAD:</b>
--	-------------------------------	--	------------------------	------------------

<b>DATE :</b> 17/12/24	<b>PC PREMIUM LINING:</b>	<b>PC STANDARD LINING:</b>	<b>PC BLACKOUT LINING:</b>	<b>TRIM/BRAID/BORDER :</b>
---------------------------	---------------------------	----------------------------	----------------------------	----------------------------

<b>ALL MEASUREMENTS MUST BE IN METRIC</b>		<b>PAIR 1</b>	<b>PAIR 2</b>	<b>PAIR 3</b>	<b>HEM</b>	Lead weight inside a 75mm bottom hem.
<b>PAIR</b>		New Bedroom Pair			<b>CHAIN</b>	
<b>SINGLE</b>					<b>VERTICAL WEIGHT</b>	
<b>WIDTHS PER CURTAIN</b>						
<b>OVERALL DROP</b>		<del>2118mm</del> 2121mm				
<b>HOOK HEIGHT EYE DROP</b>						
<b>TRACK SIZE</b>		2950mm, 20 hooks and 163 pockets per side				
<b>STANDARD TAPE</b>						
<b>NET PLEAT</b>						
<b>SLOT</b>						
<b>HEADING PENCIL</b>						
<b>HEADING TRIPLE PINCH</b>						
<b>HEADING DOUBLE PINCH</b>						

**ADDITIONAL INFORMATION:**  
7m of ADO Awake 3004/994 already with you. Pair of voiles, with an 80/160mm wave header, unlined with a lead weight inside a 75mm bottom hem. Please place hooks on second pocket down of Silent Gliss wave tape, tape stitched to the top of the fabric. Cut wave tape to 163 pockets per side (this includes 2 pockets each end for hemming).

<b>SINGLE PLEAT &amp; CARTRIDGE PLEAT(CIRCUMFERENCE OF PLEAT IN CM)</b>	
---	--

<b>CARTRIDGE FILLED OR UNFILLED</b>	
-------------------------------------	--

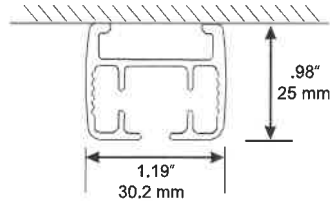
<b>HEADING WAVE</b>	80MM
---------------------	------

<b>EYELET SIZE</b>	<b>BLACK</b>	<b>BRASS</b>	<b>CHROME</b>	<b>COPPER</b>	<b>SATIN SILVER</b>	<b>ANTIQUE BRASS</b>	<b>OLD NICKEL</b>
<b>40MM</b>							
<b>50MM</b>							
<b>66MM</b>							

**THIS ORDER INCLUDES ON A SEPARATE SHEET (PLEASE TICK APPROPRIATE BOX)**

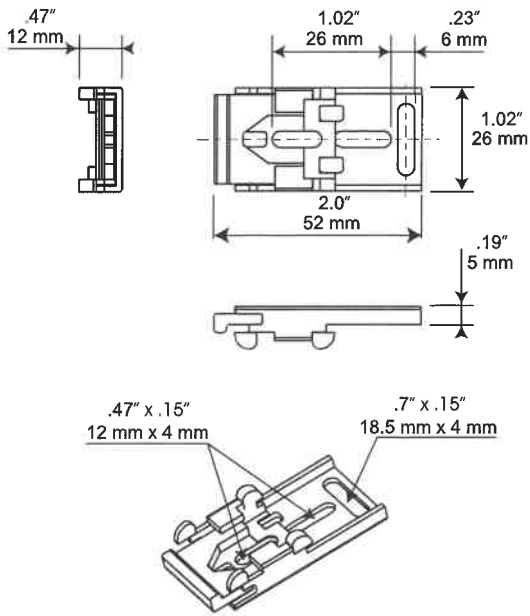
*RB*

**TRACK PROFILE**

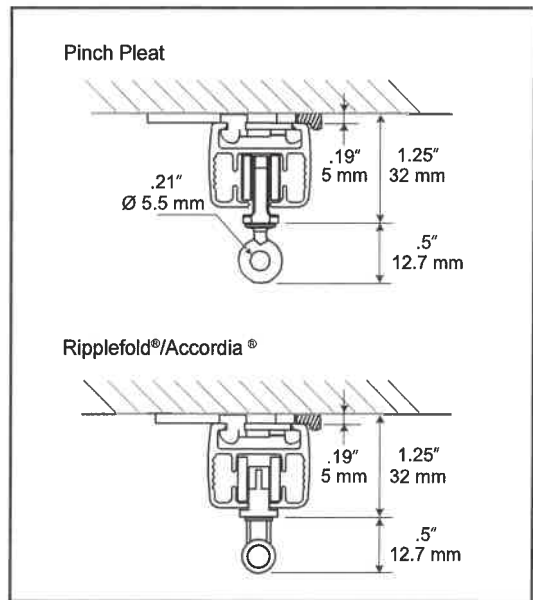


**CEILING BRACKET DIMENSIONS**

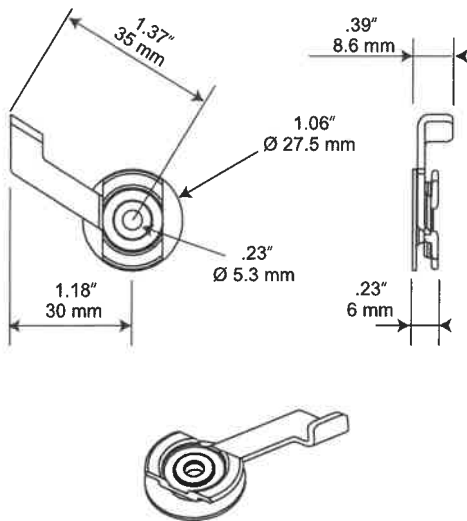
**One Touch Ceiling Bracket - #1780907**



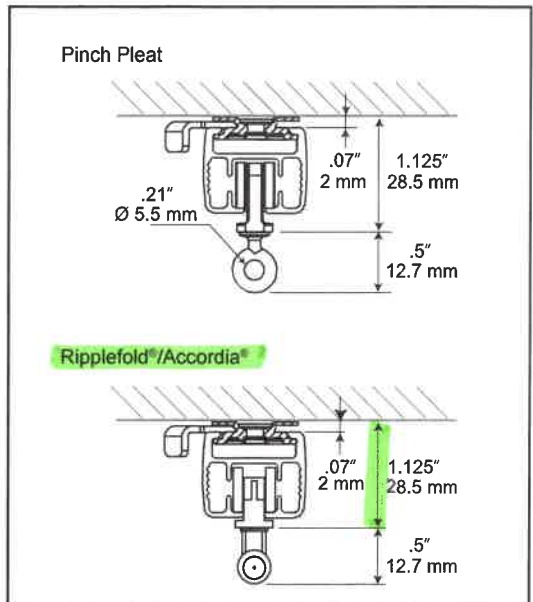
**Carriers**



**Swivel Ceiling Bracket - #1780906**  
(recommended for curved tracks)



**Carriers**



# PREMIERCHOICE

MANUFACTURERS OF QUALITY CUSTOM MADE CURTAINS, PELMETS AND BLINDS

CP INTERIORS JERSEY  
RUE DES PRES TRADING ESTATE  
ST SAVIOUR  
JERSEY  
JE2 7QN

Re: 6701 / 2 - SO15905 RIGATONI

22 October 2024

Dear Customer,

THIS IS AN ESTIMATE ONLY. SHOULD YOU WISH TO PLACE AN ORDER KINDLY SEND A DETAILED WORKSHEET WHERE POSSIBLE USING THE PREMIER CHOICE ORDER FORM TO [orders@premierchoice.co.uk](mailto:orders@premierchoice.co.uk)

We thank you for your enquiry and we have the pleasure in estimating you as follows:

## VOILES

1 Pair of Voiles Wave Railroaded

Rail size of 295cm, Drop of 216cm, Overall rail size: 295cm, 3.3 Mts in each

Making:	6.4	Mts	@	£27.58	=	£176.51
Fabric: Wide fabric - 300cm wide, no repeat	6.6	mts	@	£0.00	=	£0.00
Snake weight to hem (Bottom)						£12.80
						<hr/>
					£	189.31

BASED ON 300CM WIDE RAILROADED FABRIC

£473

---

Others Subtotal:	£	189.31
------------------	---	--------

---

Net:	£	189.31
------	---	--------

VAT@ 20% :	£	37.86
------------	---	-------

---

Total:	£	227.17
--------	---	--------

---

Any additional work/material, not mentioned in the above estimate, will be invoiced for. Please note all Velvet fabrics are subject to 10% surcharge as per price list.

THIS IS AN ESTIMATE ONLY.

SHOULD YOU WISH TO PLACE AN ORDER KINDLY SEND A DETAILED WORKSHEET WHERE POSSIBLE USING THE PREMIERCHOICE ORDER FORM.

ALL EMAILED ORDERS PLEASE EMAIL TO [ORDERS@PREMIERCHOICE.CO.UK](mailto:ORDERS@PREMIERCHOICE.CO.UK)  
PLEASE QUOTE ESTIMATE NUMBER SUPPLIED.

Lead Times are subject to availability.

Assuring you of our best attention at all times.

E. & O.E

Yours Faithfully  
SallyWaddilove  
Premierchoice Ltd

## Tamara Lopez-Dominguez

---

**Subject:** SO15905 Rigatoni and SO15791 Linton

Hi James,

I hope you are well.

*20 on each side  
including footer*

Could I please order the following:

SO15905 Rigatoni:

- 1x Somfy RTS 230v track, in white, with 80mm wave gliders for a pair of curtains, 2950mm, top fix. Please include a 1x 1 channel remote. ✓

SO15791 Linton:

- Main Bedroom: 1x Somfy RTS 230v track in white to be fitted inside Blindspace recess profile, with 80mm wave gliders for a pair of curtains, 3287mm (aluminium profile excluding ends). LHMotor. Please include 1x 1 channel remote. *90° attachment on the motor end and all*
- Study: 1x Somfy RTS 230v track in white to be fitted inside Blindspace recess profile, with 80mm wave gliders for a single curtain, 1835mm (aluminium profile excluding ends). LHMotor. Please include 1x 5 channel remote.

Many thanks.

Kind Regards

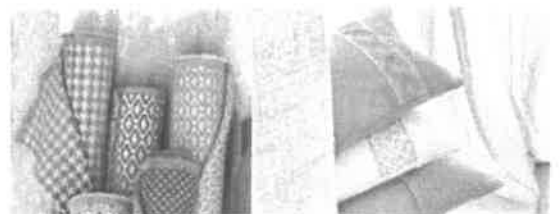
*Tamara*  
Lopez-Dominguez

Interior Design Advisor  
[tamara@cpinteriors.ie](mailto:tamara@cpinteriors.ie)



Unit 28 Rue Des Pres Trading Estate  
St Saviour  
Jersey  
JE2 7QN

01534 768141 | [www.cpinteriors.ie](http://www.cpinteriors.ie)



With our CP Price promise, we will beat any  
\*\* On like for like products only

## Tamara Lopez-Dominguez

---

**From:** James <james@cassidysunblinds.co.uk>  
**Sent:** 21 October 2024 12:44  
**To:** Home  
**Subject:** RE: SO15905 Rigatoni

Hi Tamara

Please find amended prices below as requested;

Type – Curtain Track Only  
Colour – White  
Power – 230v Mains  
Control – RTS  
Runners – 80mm Wave

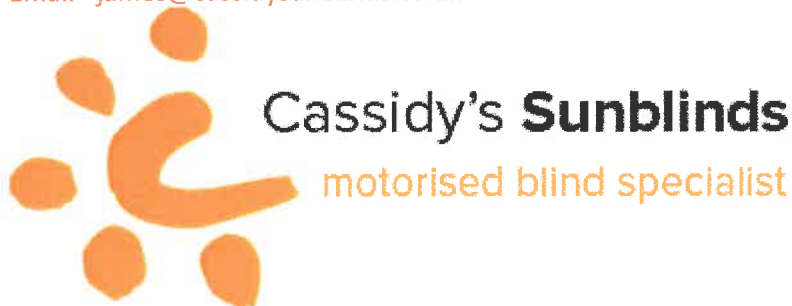
1No 2950mm wide @ £495.00 *£1238* ✓  
Controls from £27.00 *£68*

Delivery @ TBC

All prices are PLUS VAT  
Delivery 10 days (subject to stock)

Kind regards

James Cassidy  
Managing Director  
Cassidy's Sunblinds  
Unit B Layerthorpe Road  
Henry Boot Way  
Priory Park  
Hull  
HU4 7DF  
Direct - 01482 330601  
Tel - 01482 330600  
Fax - 01482 330606  
Mobile - 07951760934  
Email - james@cassidysunblinds.co.uk



Confidentiality: This e-mail and its attachments are intended for the above named only and may be confidential. If they have come to you in error you must take no action based on them, nor must you copy or show them to anyone; please reply to this e-mail and highlight the error.

Security Warning: Please note that this e-mail has been created in the knowledge that Internet e-mail is not a 100% secure communications medium. We advise that you understand and observe this lack of security when e-mailing us.

Viruses: Although we have taken steps to ensure that this e-mail and attachments are free from any virus, we advise that in keeping with good computing practice the recipient should ensure they are actually virus free and maintain up to date and adequate virus-checking software. We accept no liability for any damage due to virus transmission or infection, however caused.

**From:** Home [mailto:home@cpinteriors.je]  
**Sent:** 21 October 2024 12:17  
**To:** James <james@cassidysunblinds.co.uk>  
**Subject:** RE: SO15905 Rigatoni

Hi James,

I hope you had a nice weekend.

Would you please be able to amend the below quote to include 80mm wave runners instead? Many thanks.

Kind Regards

*Tamara*  
Lopez-Dominguez

Interior Design Advisor  
[tamara@cpinteriors.je](mailto:tamara@cpinteriors.je)



Unit 28 Rue Des Pres Trading Estate  
St Saviour  
Jersey  
JE2 7QN  
01534 768141 | [www.cpinteriors.je](http://www.cpinteriors.je)  
 



With our CP Price promise, we will beat any  
\*\* On like for like products only

**From:** James <james@cassidysunblinds.co.uk>  
**Sent:** 11 July 2024 08:26  
**To:** Tamara Lopez-Dominguez <Tamara@cpinteriors.je>  
**Subject:** RE: SO15905 Rigatoni

Good Morning Tamara

Please find prices below as requested;







# CP INTERIORS

Mr. Claudio Abreu  
The Rigatoni  
Liberty Wharf  
St Helier  
JE2 3NY

Date	Reference	Your Contact
14-10-2024	SO15905	Tamara

Customer Ref.
Mews House, Les Carrieres , Le Chemin du Maitres, Grouville JE3 9EB

## Quote

Our Price Promise to you  
We are so confident our pricing is competitive, that we will beat any written quotation for equivalent product by 5%

### Supply & Fit/Supply Only

3004/994 Ado Awake

Location	Product	Description	Qty	Price
New Bedroom	Curtain Making	Pair of voiles, with a double pleat header. unlined with a lead weight inside a bottom hem.	1	£ 589.00
New Bedroom	Fabric	8m of a plain double width sheer fabric. Ado Frey @ £85 p/m.	1	£ 680.00
New Bedroom	Curtain Pole / Track	SG 6840 in white, with standard gliders, top fix and adjustable brake. Hand operated with two optional 150cm white wands.	1	£ 335.00
New Bedroom W1	Roller blind	Roller blind in Unishade White Blackout with fascia. Operated with a Somfy Sonesse 30 Ultra Li-ion rechargeable battery motor., <i>+ electric curtain pole/track</i>	1	£ 408.00
New Bedroom W2	Roller blind	<i>+ wave header</i>	1	£ 553.00
New Bedroom W3	Roller blind		1	£ 408.00
	Accessories	Situo 5 remote and charger, <i>NO Rollers</i> <i>+ situo 1 remote</i>	1	£ 110.00

### Terms : Payment with Order

BACS Payment	
Bank:	NatWest
Sort Code:	60 12 03
Account No:	66577772
Carpet Protection (C.I) Ltd T/A CP Interiors	

Phone and Card Payment
Payment can be made in person or by phone. If phone, please call us on 01534 768141 and have your card details ready. Note, we do not accept American Express or Cheque payments.

Subtotal :	£ 3,083.00
GST :	£ 154.15
Total :	£ 3,237.15

Please note: This quotation is only valid for acceptance for 7 days. Our estimate does not include any electrical work or additional carpentry work to install the above unless otherwise specified. Please note there is a handling charge on customer own fabric of £7.50 per metre. Due to high costs of labour, pre-arranged missed fitting appointments will be charged on a time-wasted basis. Settlement is due on completion of works and an administration charge of £25 will be added per month if unpaid within 30 days. We reserve the right to charge for design, advice and liaison work carried out should an order not be placed. Goods remain the property of CP Interiors until full settlement is received. Should payment not be received we reserve the right to attend premises during working hours to remove goods and not be required to make good. Our full terms and conditions apply and are available on request.



# CP INTERIORS

Mr. Claudio Abreu  
The Rigatoni  
Liberty Wharf  
St Helier  
JE2 3NY

Date	Reference	Your Contact
19-07-2024	SO15905	Tamara

Customer Ref.
Mews House, Les Carrieres, Le Chemin du Maltieres, Crouville, JE2 9ER

## Quote

Our Price Promise to you  
We are so confident our pricing is competitive, that we will beat any written quotation for equivalent product by 5%

### Supply & Fit/Supply Only

Location	Description	QTY	Price
New Bedroom	Pair of voiles, with a double pleat header, unlined with a lead weight inside a bottom hem. <i>Costa Snow. Ado Frey 1127/200</i>	1	£ 589.00
	Fabric, 8m of a plain double width sheer fabric. Price guide based on Warwick Rhodes @£32 per metre., <i>Q85 plm</i>	1	£ 256.00
	Curtain Pole / Track, SG 6840 in white, with standard gliders, top fix and adjustable brake. Hand operated with two optional 150cm white wands.	1	£ 335.00
	Roller blind in a Band B blackout fabric of your choice. Price guide based on Carnival BO. Operated with a Somfy Sonesse 30 Ultra Li-ion rechargeable battery motor.,		
New Bedroom W1	Roller blind, <i>+ fascia</i>	1	£ 363.00
New Bedroom W2	Roller blind,	1	£ 534.00
New Bedroom W3	Roller blind, <i>unishade white + fascia</i>	1	£ 363.00
	Situo 5 remote and charger, Electrical works not included., <i>+ Requote Elgato same.</i>	1	£ 110.00

Terms : 50% deposit due with order, 50% on completion

BACS Payment	
Bank:	NatWest
Sort Code:	60 12 03
Account No:	66577772
Carpet Protection (C.I) Ltd T/A CP Interiors	

Phone and Card Payment
Payment can be made in person or by phone. If phone, please call us on 01534 768141 and have your card details ready. Note, we do not accept American Express or Cheque payments.

Subtotal :	£ 2,550.00
GST :	£ 127.50
Total :	£ 2,677.50

Please note: This quotation is only valid for acceptance for 7 days. Our estimate does not include any electrical work or additional carpentry work to install the above unless otherwise specified. Please note there is a handling charge on customer own fabric of £5 per metre. Due to high costs of labour, pre-arranged missed fitting appointments will be charged on a time-wasted basis. Settlement is due on completion of works and an administration charge of £25 will be added per month if unpaid within 30 days. We reserve the right to charge for design, advice and liaison work carried out should an order not be placed. Goods remain the property of CP Interiors until full settlement is received. Should payment not be received we reserve the right to attend premises during working hours to remove goods and not be required to make good. Our full terms and conditions apply and are available on request.

*2677.50*



# CP INTERIORS

Mr. Claudio Abreu  
The Rigatoni  
Liberty Wharf  
St Helier  
JE2 3NY

Date	Reference	Your Contact
12-07-2024	SO15905	Tamara

### Customer Ref.

Mews House, Les Carrieres , Le Chemin du Maltieres,  
Grouville, JE2 9EP

## Quote

Our Price Promise to you  
We are so confident our pricing is competitive, that we will beat any written quotation for equivalent product by 5%

### Supply & Fit/Supply Only

Location	Description	QTY	Price	
New Bedroom	Pair of voiles, with a double pleat header. unlined with a lead weight inside a bottom hem.	1	£ 589.00	
	Fabric, 8m of a plain double width sheer fabric. Price guide based on Warwick Rhodes @£32 per metre.,	1	£ 256.00	
	Curtain Pole / Track, Somfy RTS 240v track in white, with standard gliders. Top fix. Left-hand side motor.	1	£ 1,163.00	
	Roller blind in a Band B blackout fabric of your choice. Price guide based on Carnival BO. Operated with a Somfy Sonesse 30 Ultra Li-ion rechargeable battery motor.,			
	Roller blind,	1	£ 363.00	
	Roller blind,	1	£ 534.00	
	Roller blind,	1	£ 363.00	
	Situo 5 remote and charger,	1	£ 110.00	
	Electrical works not included.,			

Terms : 50% deposit due with order, 50% on completion

BACS Payment	
Bank:	NatWest
Sort Code:	60 12 03
Account No:	66577772
Carpet Protection (C.I) Ltd T/A CP Interiors	

Phone and Card Payment
Payment can be made in person or by phone.
If phone, please call us on 01534 768141 and have your card details ready.
Note, we do not accept American Express or Cheque payments.

<b>Subtotal :</b>	<b>£ 3,378.00</b>
<b>GST :</b>	<b>£ 168.90</b>
<b>Total :</b>	<b>£ 3,546.90</b>

Please note: This quotation is only valid for acceptance for 7 days. Our estimate does not include any electrical work or additional carpentry work to install the above unless otherwise specified. Please note there is a handling charge on customer own fabri. Due to high costs of labour, pre-arranged missed fitting appointments will be charged on a time-wasted basis. Settlement is due on completion of works and an administration charge of £25 will be added per month if unpaid within 30 days. We reserve the right to charge for design, advice and liaison work carried out should an order not be placed. Goods remain the property of CP Interiors until full settlement is received. Should payment not be received we reserve the right to attend premises during working hours to remove goods and not be required to make good. Our full terms and conditions apply and are available on request.

TO REQUOTE FOR MANUAL TRACK

SGG840

# PREMIERCHOICE

MANUFACTURERS OF QUALITY CUSTOM MADE CURTAINS, PELMETS AND BLINDS

CP INTERIORS JERSEY  
CP INTERIORS JERSEY  
RUE DES PRES TRADING ESTATE  
ST SAVIOUR  
JERSEY  
JE2 7QN

Re: 6701 / 1 - SO15905 RIGATONI

12 July 2024

Dear Customer,

THIS IS AN ESTIMATE ONLY. SHOULD YOU WISH TO PLACE AN ORDER KINDLY SEND A DETAILED WORKSHEET WHERE POSSIBLE USING THE PREMIER CHOICE ORDER FORM TO [orders@premierchoice.co.uk](mailto:orders@premierchoice.co.uk)

We thank you for your enquiry and we have the pleasure in estimating you as follows:

## VOILES

1 Pair of Voiles Double Pinch Pleat Railroaded		£	235.69
Rail size of 315cm, Drop of 216cm, Overall rail size: 315cm, 3.8 Mts in each			
Making:	7.4	Mts	
Fabric: Wide fabric - 300cm wide, no repeat	7.6	mts	£589
Snake weight to hem (Bottom)			

BASED ON 300CM WIDE RAILROADED FABRIC

Others Subtotal: £ 235.69

Total: £ 235.69

Any additional work/material, not mentioned in the above estimate, will be invoiced for. Please note all Velvet fabrics are subject to 10% surcharge as per price list.

THIS IS AN ESTIMATE ONLY.

SHOULD YOU WISH TO PLACE AN ORDER KINDLY SEND A DETAILED WORKSHEET WHERE POSSIBLE USING THE PREMIERCHOICE ORDER FORM.

ALL EMAILED ORDERS PLEASE EMAIL TO [ORDERS@PREMIERCHOICE.CO.UK](mailto:ORDERS@PREMIERCHOICE.CO.UK)  
PLEASE QUOTE ESTIMATE NUMBER SUPPLIED.

Lead Times are subject to availability.

Assuring you of our best attention at all times.

E. & O.E

Yours Faithfully  
SallyWaddilove  
Premierchoice Ltd

SG6840 2950mm

$$\begin{aligned} & \text{£131.51} + \text{£18.75} = \text{£150.26} - 40\% \times 2.5 + \\ & \quad \text{(adj. brake)} \quad \text{£40} = \text{£265.39} \end{aligned}$$

$$2 \times \text{£20.84} = \text{£41.68} - 33.33\% \times 2.5 =$$

£69.47

TOTAL = £335

## Tamara Lopez-Dominguez

---

**From:** James <james@cassidysunblinds.co.uk>  
**Sent:** 11 July 2024 08:26  
**To:** Tamara Lopez-Dominguez  
**Subject:** RE: SO15905 Rigatoni

Good Morning Tamara

Please find prices below as requested;

Type – Curtain Track Only  
Colour – White  
Power – 230v Mains  
Control – RTS  
Runners – Standard

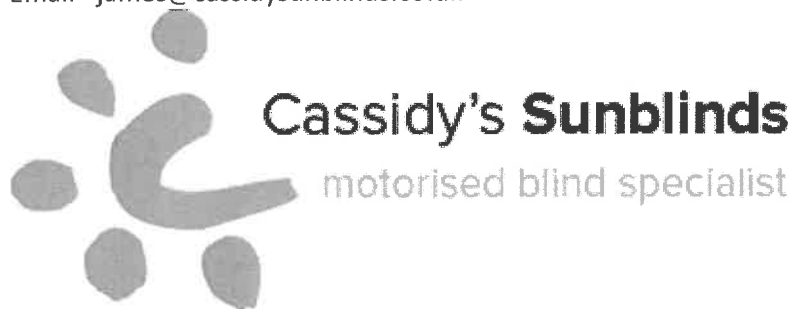
1No 2950mm wide @ £465.00 £1163  
Controls from £27.00

Delivery @ TBC

All prices are PLUS VAT  
Delivery 10 days (subject to stock)

Kind regards

James Cassidy  
Managing Director  
Cassidy's Sunblinds  
Unit B Layerthorpe Road  
Henry Boot Way  
Priory Park  
Hull  
HU4 7DF  
Direct - 01482 330601  
Tel - 01482 330600  
Fax - 01482 330606  
Mobile - 07951760934  
Email - james@cassidysunblinds.co.uk



Confidentiality: This e-mail and its attachments are intended for the above named only and may be confidential. If they have come to you in error you must take no action based on them, nor must you copy or show them to anyone; please reply to this e-mail and highlight the error.

Security Warning: Please note that this e-mail has been created in the knowledge that Internet e-mail is not a 100% secure communications medium. We advise that you understand and observe this lack of security when e-mailing us.

Viruses: Although we have taken steps to ensure that this e-mail and attachments are free from any virus, we advise that in keeping with good computing practice the recipient should ensure they are actually virus free and maintain up to date and adequate virus-checking software. We accept no liability for any damage due to virus transmission or infection, however caused.

**From:** Tamara Lopez-Dominguez [mailto:Tamara@cpinteriors.je]  
**Sent:** 10 July 2024 17:21  
**To:** James <james@cassidysunblinds.co.uk>  
**Subject:** SO15905 Rigatoni

Hi James,

I hope you are well.

Would you be able to provide a quote for a Somfy track (RTS 240v) 2950mm x 2160mm (left hand side motor and top fix) for a pair of curtains, please? Many thanks.

Kind Regards

*Tamara*  
Lopez-Dominguez

Interior Design Advisor  
[tamara@cpinteriors.je](mailto:tamara@cpinteriors.je)



Unit 28 Rue Des Pres Trading Estate  
St Saviour  
Jersey  
JE2 7QN  
01534 768141 | [www.cpinteriors.je](http://www.cpinteriors.je)  
 



With our CP Price promise, we will beat any  
\*\* On like for like products only

**Tropical Blinds Ltd**

**Quotation**  
Customer Copy

Unit 6 and 7 Five Arches Business Est  
off Maidstone Road  
Sidcup  
Kent  
DA14 5AE  
Tel: 020 8269 6400 Fax: 020 8269 6401

**Vat No:** 324 0532 02  
**Cust Order No:** SO15905 RIGATONI  
**Order Date:** 10/07/2024  
**Order No:** 4500620  
**Cust Ref:**  
**Account Ref:** CPS007  
**Despatch Method:**DHL Economy

**Order To:**  
C.P Interiors 2  
Rue Des Pres Trading Estate  
St Saviour  
Jersey  
Channel Islands  
JE2 7QN

**Deliver To:**  
C.P Interiors 2  
Rue Des Pres Trading Estate  
St Saviour  
Jersey  
Channel Islands  
JE2 7QN

Type	Colour	Width	Drop	Quantity	Unit Price	Disc %	Net
1. Roller - Somfy Sonesse Ultra 30 RTS LI-IONCarnival BO FR Cream R/F (LL)		500	1250	1	94.83	51.92	145.20
Sonesse Ultra 30 WF RTS 2nm LI ION Motor, Customers Own Charger, No Handset Required, Not Required, No Hub Required, 40mm Roller Tube, No Headbox Required, No Brackets Required, Standard P.V.C. Bottom Rail - 5m - White, No Scallop, No Braid Required, No Pole, No Finial, No Eyelets Required, Standard Roll, Blind is safe by design and requires no additional devices or warning labels							101.35
Measurement: Blind Size		Spec. ins:					
Location: New Bedroom W1		Fitting ins:					
							<b>£383</b>
2. Roller - Somfy Sonesse Ultra 30 RTS LI-IONCarnival BO FR Cream R/F (LL)		1740	1960	1	230.60	51.92	213.69
Sonesse Ultra 30 WF RTS 2nm LI ION Motor, Customers Own Charger, No Handset Required, Not Required, No Hub Required, 40mm Roller Tube, No Headbox Required, No Brackets Required, Standard P.V.C. Bottom Rail - 5m - White, No Scallop, No Braid Required, No Pole, No Finial, No Eyelets Required, Standard Roll, Blind is safe by design and requires no additional devices or warning labels							108.03
Measurement: Blind Size		Spec. ins:					
Location: New Bedroom W2		Fitting ins:					
							<b>£534</b>
3. Roller - Somfy Sonesse Ultra 30 RTS LI-IONCarnival BO FR Cream R/F (LL)		500	1250	1	94.83	51.92	145.20
Sonesse Ultra 30 WF RTS 2nm LI ION Motor, Customers Own Charger, No Handset Required, Not Required, No Hub Required, 40mm Roller Tube, No Headbox Required, No Brackets Required, Standard P.V.C. Bottom Rail - 5m - White, No Scallop, No Braid Required, No Pole, No Finial, No Eyelets Required, Standard Roll, Blind is safe by design and requires no additional devices or warning labels							101.35
Measurement: Blind Size		Spec. ins:					
Location: New Bedroom W3		Fitting ins:					
							<b>£383</b>

Net Total: 504.09  
VAT: 0.00  
Total: 504.09

**£90 Sitoo 5 with Tropical**

**£20 charger**