

Mr. Patrick O'Connor

Les Niemes  
La Grande Route De St. Pierre  
St Peter  
JE3 7AX

Date	Reference	Your Contact
04-07-2024	SO15867	Tamara

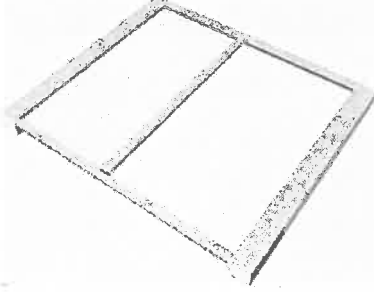
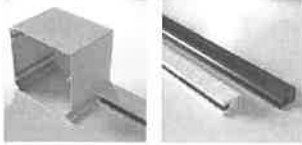
Customer Ref.

## Quote

Our Price Promise to you

We are so confident our pricing is competitive, that we will beat any written quotation for equivalent product by 5%

### Supply & Fit/Supply Only

Location	Description	QTY	Price
Glass Room	Roller blind, 100 Zip Screen Roller Blind with fabric retention and slim side channels, in a Spectrum 5010 3% screen fabric in a colour of your choice. Hardware powder coated in a custom K7 RAL colour. Operated with a Somfy Sonesse 40 RTS motor. Includes L-shaped angle profiles.	9	
			
			
	Situo 5 remote control,	2	
	Somfy Tahoma Switch Home Hub (including programming),	1	
	. Includes use of scaffolding needed for installation.,		
	. Electrical works not included,		
	. Subject to final measurements,		

**Terms :** 40% deposit due with order, 40% on delivery & final 20% on completion

BACS Payment	
Bank:	NatWest
Sort Code:	60 12 03
Account No:	66577772
Carpet Protection (C.I) Ltd T/A CP Interiors	

Phone and Card Payment
Payment can be made in person or by phone. If phone, please call us on 01534 768141 and have your card details ready. Note, we do not accept American Express or Cheque payments.

<b>Subtotal :</b>	<b>£ 38,885.00</b>
<b>GST :</b>	<b>£ 1,944.25</b>
<b>Total :</b>	<b>£ 40,829.25</b>

Please note: This quotation is only valid for acceptance for 7 days. Our estimate does not include any electrical work or additional carpentry work to install the above unless otherwise specified. Please note there is a handling charge on customer own fabric of £5 per metre. Due to high costs of labour, pre-arranged missed fitting appointments will be charged on a time-wasted basis. Settlement is due on completion of works and an administration charge of £25 will be added per month if unpaid within 30 days. We reserve the right to charge for design, advice and liaison work carried out should an order not be placed. Goods remain the property of CP Interiors until full settlement is received. Should payment not be received we reserve the right to attend premises during working hours to remove goods and not be required to make good. Our full terms and conditions apply and are available on request.

**ORDER CONFIRMATION**

**UM 34292-56679**



<b>Customer:</b> CP Interiors	<b>Order Date:</b> 21/8/2024
<b>Contact Name:</b> Tamara Lopez-Dominguez	<b>Despatch Date:</b> 12/9/2024

<b>Quote no.:</b> 34292-56679
<b>Customer PO no.:</b> SO15867 O'Connor - Order

<b>Total Quantity</b>	<b>Total Price</b>
17	£9,526.47

System	Blind No.	Qty	Width	Drop	Operation	Fabric Joins	Tube Dia.	Hem Bar	Hem Colour	Hardware Colour	Fabric Type	Fabric Colour	Cassette/Fascia Type	Shape	Brackets	Handling	Total Control Len	Cable Exit	Side Channel LH	Side Channel RH	Bottom Angle	Cust. Ref	Notes	Unit RRP	Unit Price	Total
KuroLok 100 RL	1	1	1870	3160	Radio - RTS - Somfy Sonesse 40 9/12	0	65	Z	Special RAL (white)	Special RAL (white)	Spectrum 5010 3%, 2.5m	Flax	Cassette	Square		Left		6	Channel		No	1		£2,750.29	£1,045.11	£1,045.11
KuroLok 100 RL	2	1	1880	3160	Radio - RTS - Somfy Sonesse 40 9/12	0	65	Z	Special RAL (white)	Special RAL (white)	Spectrum 5010 3%, 2.5m	Flax	Cassette	Square		Left		6	Channel		No	2		£2,754.08	£1,046.55	£1,046.55
KuroLok 100 RL	3	1	1880	3160	Radio - RTS - Somfy Sonesse 40 9/12	0	65	Z	Special RAL (white)	Special RAL (white)	Spectrum 5010 3%, 2.5m	Flax	Cassette	Square		Left		6	Channel		No	3		£2,754.08	£1,046.55	£1,046.55
KuroLok 100 RL	4	1	1878	3160	Radio - RTS - Somfy Sonesse 40 9/12	0	65	Z	Special RAL (white)	Special RAL (white)	Spectrum 5010 3%, 2.5m	Flax	Cassette	Square		Left		6	Channel		No	4		£2,753.33	£1,046.27	£1,046.27
KuroLok 100 RL	5	1	2257	1595	Radio - RTS - Somfy Sonesse 40 9/12	0	65	Z	Special RAL (white)	Special RAL (white)	Spectrum 5010 3%, 2.5m	Flax	Cassette	Square		Left		6	Channel		No	5		£2,585.65	£982.62	£982.62
KuroLok 100 RL	6	1	1878	3160	Radio - RTS - Somfy Sonesse 40 9/12	0	65	Z	Special RAL (white)	Special RAL (white)	Spectrum 5010 3%, 2.5m	Flax	Cassette	Square		Left		6	Channel		No	6		£2,753.33	£1,046.27	£1,046.27
KuroLok 100 RL	7	1	1880	3160	Radio - RTS - Somfy Sonesse 40 9/12	0	65	Z	Special RAL (white)	Special RAL (white)	Spectrum 5010 3%, 2.5m	Flax	Cassette	Square		Left		6	Channel		No	7		£2,754.08	£1,046.55	£1,046.55
KuroLok 100 RL	8	1	1880	3160	Radio - RTS - Somfy Sonesse 40 9/12	0	65	Z	Special RAL (white)	Special RAL (white)	Spectrum 5010 3%, 2.5m	Flax	Cassette	Square		Left		6	Channel		No	8		£2,754.08	£1,046.55	£1,046.55
KuroLok 100 RL	9	1	1870	3160	Radio - RTS - Somfy Sonesse 40 9/12	0	65	Z	Special RAL (white)	Special RAL (white)	Spectrum 5010 3%, 2.5m	Flax	Cassette	Square		Left		6	Channel		No	9		£2,750.29	£1,045.11	£1,045.11

**Special Notes**

Delivery Address

CP Interiors  
Rue des Pres Trading Estate  
01534 768141  
tamara@cpinteriors.je

Your blinds are costed above, please see the last page for additional items  
Please note: this cost allows for any colour on the K7 RAL switch. There may be an additional cost for colours not included in this switch.

Spectrum Supply via Umbra Shading, Queensway, Swansea West Business Park, Swansea, SA5 4DH  
Tel: 0845 677 0020 Fax: 0845 677 0077 E-mail: sales@umbra shading.co.uk  
Company Registration No: 7317206  
Please note that any changes to this order after you have received this order confirmation may incur a 1/240 admin charge, plus any rework costs if applicable  
The above pricing excludes VAT  
Bank Details for BACS Payments - Account Number: 01874691 - Sort Code: 12-20-26

**ORDER CONFIRMATION**

**UM 34292-56679**



**Customer:** CP Interiors  
**Contact Name:** Tamara Lopez-Dominguez  
**Order Date:** 21/8/2024  
**Despatch Date:** 12/9/2024

**Customer PO no.:** SO15867 O'Connor - Orde

**Total Quantity:** 17  
**Total Price:** £9,526.47

Part No.	Details	Length	Unit Price	Quantity	Total Price
1870420	Situo S RTS Pure II Multichannel Radio Control Handset		123.94	2	£79.32
274246 White	L - Angle 75mm x 50mm x 3mm (White, 6m length)	1No. @ 3160mm	34.28	3.16	£41.16
274246 White	L - Angle 75mm x 50mm x 3mm (White, 6m length)	1No. @ 3160mm	34.28	3.16	£41.16
	Standard Carriage		13.25	1	£13.25

**Special Notes**

Please note: this cost allows for any colour on the K7 RAL swatch. There may be an additional cost for colours not included in this swatch.

**Delivery Address**  
CP Interiors  
Rue des Pres Trading Estate  
Jersey  
01 534 768141  
tamara@cpinteriors.je

Spectrum Supply Via Umbra, 31 Ystrad Road, Swansea West Business Park, Swansea, SA5 4BT  
Tel: 01792 562015 E-mail: sales@umbrashading.co.uk  
Company Registration No. 7317206

Please note that any changes to this order after you have received this order confirmation may incur a 10% admin charge, plus  
The above pricing excludes VAT  
Bank Details for BACS Payments - Account Number: 01874691 - Sort Code: 12-20-26

**PROVISIONAL ORDER CONFIRMATION**

**UM 34292-56679**



<b>Customer:</b> CP Interiors	<b>Order Date:</b> 21/8/2024
<b>Contact Name:</b> Tamara Lopez-Dominguez	

<b>Quote no.:</b> 34292-56679
<b>Customer PO no.:</b> SO15867 O'Connor - Order

<b>Total Quantity</b>	<b>Total Price</b>
17	£9,526.47

System	Blind No	Qty	Width	Drop	Operation	Fabric Joins	Tube Dia	Hem Bar	Hem Colour	Hardware Colour	Fabric Type	Colour	Cassette/Fascia Type	Shape	Brackets	Handling	Total Control Len	Cable Exit	Side Channel LH	Side Channel RH	Bottom Angle	Cust Ref	Notes	Unit RRP	Unit Price	Total
KuroLok 100 RL	1	1	1870	3160	Radio - RTS - Somfy Sonesse 40 9/12	0	65	Z	Special RAL (white)	Special RAL (white)	Spectrum 5010 3%, 2.5m	Flax	Cassette e	Square		Left		6	Channel		No	1		£2,750.29	£1,045.11	£1,045.11
KuroLok 100 RL	2	1	1880	3160	Radio - RTS - Somfy Sonesse 40 9/12	0	65	Z	Special RAL (white)	Special RAL (white)	Spectrum 5010 3%, 2.5m	Flax	Cassette e	Square		Left		6	Channel		No	2		£2,754.08	£1,046.55	£1,046.55
KuroLok 100 RL	3	1	1880	3160	Radio - RTS - Somfy Sonesse 40 9/12	0	65	Z	Special RAL (white)	Special RAL (white)	Spectrum 5010 3%, 2.5m	Flax	Cassette e	Square		Left		6	Channel		No	3		£2,754.08	£1,046.55	£1,046.55
KuroLok 100 RL	4	1	1878	3160	Radio - RTS - Somfy Sonesse 40 9/12	0	65	Z	Special RAL (white)	Special RAL (white)	Spectrum 5010 3%, 2.5m	Flax	Cassette e	Square		Left		6	Channel		No	4		£2,753.33	£1,046.27	£1,046.27
KuroLok 100 RL	5	1	2257	1595	Radio - RTS - Somfy Sonesse 40 9/12	0	65	Z	Special RAL (white)	Special RAL (white)	Spectrum 5010 3%, 2.5m	Flax	Cassette e	Square		Left		6	Channel		No	5		£2,585.85	£982.62	£982.62
KuroLok 100 RL	6	1	1878	3160	Radio - RTS - Somfy Sonesse 40 9/12	0	65	Z	Special RAL (white)	Special RAL (white)	Spectrum 5010 3%, 2.5m	Flax	Cassette e	Square		Left		6	Channel		No	6		£2,753.33	£1,046.27	£1,046.27
KuroLok 100 RL	7	1	1880	3160	Radio - RTS - Somfy Sonesse 40 9/12	0	65	Z	Special RAL (white)	Special RAL (white)	Spectrum 5010 3%, 2.5m	Flax	Cassette e	Square		Left		6	Channel		No	7		£2,754.08	£1,046.55	£1,046.55
KuroLok 100 RL	8	1	1880	3160	Radio - RTS - Somfy Sonesse 40 9/12	0	65	Z	Special RAL (white)	Special RAL (white)	Spectrum 5010 3%, 2.5m	Flax	Cassette e	Square		Left		6	Channel		No	8		£2,754.08	£1,046.55	£1,046.55
KuroLok 100 RL	9	1	1870	3160	Radio - RTS - Somfy Sonesse 40 9/12	0	65	Z	Special RAL (white)	Special RAL (white)	Spectrum 5010 3%, 2.5m	Flax	Cassette e	Square		Left		6	Channel		No	9		£2,750.29	£1,045.11	£1,045.11

**Special Notes**

**Delivery Address**

Your blinds are costed above, please see the last page for additional items  
 Please note: this cost allows for any colour on the K7 RAL switch. There may be an additional cost for colours not included in this switch.

CP Interiors  
 Rue des Pres Trading Estate  
 01534 788441  
 tamara@cpinteriors.je

This above sizes are blind sizes which will be used for manufacture  
 The above pricing excludes VAT  
 Bank Details for BACS Payments - Account Number: 01874691 - Sort Code: 12-20-26

30% glass (not finish)  
 OR  
 60% glass

**PROVISIONAL ORDER CONFIRMATION**

**UM 34292-56679**



**Customer:** CP Interiors

**Order Date:** 21/8/2024

**Customer PO no.:** SO15867 O'Connor - Orde

**Total Quantity** 17

**Total Price** £9,526.47

**Contact Name:** Tamara Lopez-Dominguez

Part No.	Details	Length	Unit Price	Quantity	Total Price
1870420	Situo S RTS Pure II Multichannel Radio Control Handset		123.94	2	£79.32
274246 White	L - Angle 75mm x 50mm x 3mm (White, 6m length)	1No. @ 3160mm	34.28	3.16	£41.16
274246 White	L - Angle 75mm x 50mm x 3mm (White, 6m length)	1No. @ 3160mm	34.28	3.16	£41.16
	Standard Carriage		13.25	1	£13.25

**Special Notes**

Please note: this cost allows for any colour on the K7 RAL swatch. There may be an additional cost for colours not included in this swatch.

**Delivery Address**

CP Interiors  
Rue des Pres Trading Estate  
Jersey  
01534 768141  
tamara@cpinteriors.je

Spectrum Supply Via Umbra, 31 Ystrad Road, Swansea West Business Park, Swansea, SA5 4BT

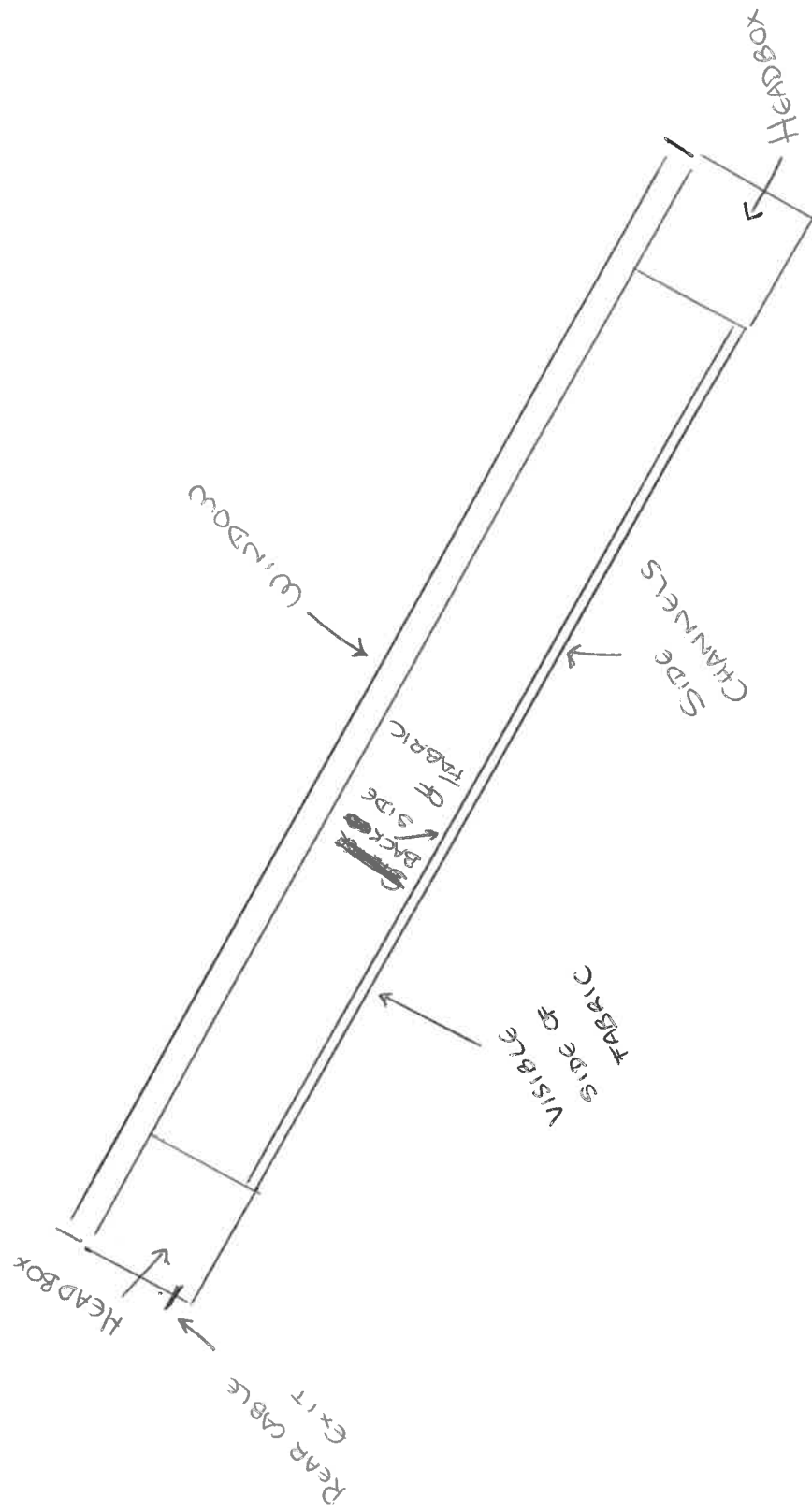
Tel: 01792 562015 E-mail: sales@umbrashading.co.uk

Company Registration No. 7317208

The above sizes are blind sizes which will be used for manufacture

The above pricing excludes VAT

Bank Details for BACS Payments - Account Number: 01874691 - Sort Code: 12-20-26



Room

**Quote**

**Q34292-55599**



**Customer:** CP Interiors  
**Contact Name:** Tamara Lopez-Dominguez

**Quote Date:** 4/7/2024  
**Customer Ref:** SO15867 O'Connor \*disco

System	Ref. No.	Finish d Width	Finish d Drop	Operation	Fabric Join	Tube Dia.	Hem Bar	Hem Bar Colour	Hardware Colour	Fabric		Type	Shape	Channel/Bra cket Type	Bottom Angle	Cust. Ref	Notes	Unit RRP	Unit Price	Qty	Total
										Type	Colour										
KuroLok 100 RL	1	1900	3300	Radio - RTS - Somfy Sonesse 40 9/12	0	65	Z	Special RAL (white)	Special RAL (white)	Spectrum 5010 3%, 2.5m	TBC	Cassette	Square	Channel	No	1		£2,789.45	£1,060.00	16	£16,960.0 4
KuroLok 100 RL	2	1900	2300	Radio - RTS - Somfy Sonesse 40 9/12	0	65	Z	Special RAL (white)	Special RAL (white)	Spectrum 5010 3%, 2.5m	TBC	Cassette	Square	Channel	No	2		£2,560.84	£984.52	1	£984.52
KuroLok 100 RL	3	1900	1800	Radio - RTS - Somfy Sonesse 40 9/12	0	65	Z	Special RAL (white)	Special RAL (white)	Spectrum 5010 3%, 2.5m	TBC	Cassette	Square	Channel	No	3		£2,491.54	£946.79	1	£946.79
<b>Special Notes</b>																		<b>Blinds total</b>		<b>18</b>	<b>£18,891.35</b>

**Delivery Address**

Your blinds are costed above, please see the last page for additional items  
 Please note: this cost allows for any colour on the K7 RAL swatch. There may be an additional cost for colours not included in this swatch.

Spectrum Supply via Umbra, 31 Ystrad Road, Swansea West Business Park, Swansea, SA5 4BT  
 Tel: 01792 562015 E-mail: sales@umbrablind.co.uk

The above sizes are blind sizes which will be used for manufacture  
 The above pricing excludes VAT

Please note that the above pricing is based on this quotation being ordered in full on a single purchase order. Should you require these blinds in phases please discuss this with us as it may affect the pricing.

WITH ADDITIONAL DISCOUNT

**Quote**

**Q34292-55599**



**Customer:** CP Interiors  
**Contact Name:** Tamara Lopez-Dominguez

**Customer Ref.:** SO15867 O'Connor \*disco

**Total Quantity** 191  
**Total Price** £22,086.60

**Order Date:** 4/7/2024

Part No.	Details	Length	Unit RRP	Unit Price	Quantity	Total Price
127mm L-angle (W)	L - Angle 127mm x 50mm x 3mm (White, 6m Length)		£89.97	£26.59	68.4	£1,818.66
274246 White	L - Angle 75mm x 50mm x 3mm (White, 6m length)		£34.28	£13.03	104.66	£1,363.34
	Standard Carriage		£13.25	£13.25	1	£13.25
<b>Parts total:</b> £3,195.25						
<b>Blinds total:</b> £18,891.35						
<b>Grand total:</b> £22,086.60						

**Special Notes**

Please note: this cost allows for any colour on the K7 RAL switch. There may be an additional cost for colours not included in this switch.

**Delivery Address**

Spectrum Supply Via Umbra, 31 Ystrad Road, Swansea West Business Park, Swansea, SA5 4BT  
 Tel: 01792 562015 E-mail: sales@umbrastrading.co.uk

The above sizes are blind sizes which will be used for manufacture  
 The above pricing excludes VAT

Please note that the above pricing is based on this quotation being ordered in full on a single purchase order. Should you require these blinds in phases please discuss this with us as it may affect the pricing.

3015867 O'CONNOR

SHY

a)  $16 \times 1900 \times 3300$  (110 zip CTS Roof Blind)  
 $\pounds 1761 + \pounds 195$  (motor)  $\pounds 4890 \times 16 = \pounds 78240$

b)  $1 \times 1900 \times 2300$  NO RAL COLOUR  
 $\pounds 1625 + \pounds 195 = \pounds 4550$

c)  $1 \times 1900 \times 1800$   
 $\pounds 1567 + \pounds 195 = \pounds 4405$

---

+  $2 \times \pounds 80$  (Situo 5) =  $\pounds 160$

+ Tahoma  $\pounds 275$

---

$\pounds 87,630$

UMBRA

L-shaped angled

a)  $\pounds 1227.37 \times 2.65 = \pounds 3253 + \pounds 310 + \pounds 232 = \pounds 3795 \times 16 = \pounds 60,720$

b)  $\pounds 1139.97 \times 2.65 = \pounds 3021 + \pounds 310 + \pounds 232 = \pounds 3563$

c)  $\pounds 1096.28 \times 2.65 = \pounds 2905 + \pounds 310 + \pounds 232 = \pounds 3447$

+  $2 \times \pounds 80$  (Situo 5) =  $\pounds 160$

TOTAL:  $\pounds 73,685$

+ Tahoma  $\pounds 275$

+  $\pounds 5,520$  (carriage, scaffold + extra instal(time))



**Quote**

**Q34292-55346**



**Customer:** CP Interiors  
**Contact Name:** Tamara Lopez-Dominguez

**Quote Date:** 26/6/2024

**Customer Ref.:** SO15867 O'Connor - v2

System	Ref No	Finish of width	Finish of drop	Operation	Fabric Jobs	Tube Dia	Hem Bar	Hem Bar Colour	Hardware Colour	Fabric Type	Colour	Type	Shape	Channel/Brac Set Type	Bottom Angle	Cust Ref	Notes	Unit RRP	Unit Price	Qty	Total
KuroLok 100 RL	1	1900	3300	Radio - RTS - Somfy Sonesse 40 9/12	0	65	Z	Special RAL (white)	Special RAL (white)	Spectrum 5010 3%, 2.5m	TBC	Cassette	Square	Channel	No	1		£2,789.48	£1,227.37	16	£19,637.94
KuroLok 100 RL	2	1900	2300	Radio - RTS - Somfy Sonesse 40 9/12	0	65	Z	Special RAL (white)	Special RAL (white)	Spectrum 5010 3%, 2.5m	TBC	Cassette	Square	Channel	No	2		£2,590.84	£1,139.97	1	£1,139.97
KuroLok 100 RL	3	1900	1800	Radio - RTS - Somfy Sonesse 40 9/12	0	65	Z	Special RAL (white)	Special RAL (white)	Spectrum 5010 3%, 2.5m	TBC	Cassette	Square	Channel	No	3		£2,491.54	£1,096.28	1	£1,096.28
<b>Blinds total</b>																		<b>18</b>	<b>£21,874.19</b>		

**Special Notes**

**Delivery Address**

Your blinds are costed above, please see the last page for additional items  
 Please note: this cost allows for any colour on the K7 RAL switch. There may be an additional cost for colours not included in this switch.

Spectrum Supply via Umbra, 31 Ystrad Road, Swansea West Business Park, Swansea, SA5 4BT  
 Tel: 01792 562015 E-mail: sales@umbra shading.co.uk

The above sizes are blind sizes which will be used for manufacture  
 The above pricing excludes VAT

Please note that the above pricing is based on this quotation being ordered in full on a single purchase order. Should you require these blinds in phases please discuss this with us as it may affect the pricing.

**Quote**

**Q34292-55346**



**Customer:** CP Interiors  
**Contact Name:** Tamara Lopez-Dominguez

**Order Date:** 26/6/2024

**Customer Ref:** SO15867 O'Connor - v2

**Total Quantity:** 191  
**Total Price:** £25,571.87

Part No	Details	Length	Unit RRP	Unit Price	Quantity	Total Price
127mm L-angle (W)	L - Angle 127mm x 50mm x 3mm (White, 6m Length)	1)	£69.97	£30.79	68.4	£2,105.82
274246 White	L - Angle 75mm x 50mm x 3mm (White, 6m Length)	2)	£34.28	£15.08	104.66	£1,578.61
	Standard Carriage		£13.25	£13.25		
	<b>Parts total:</b>					<b>£3,684.43</b>
	<b>Blinds total:</b>					<b>£21,874.19</b>
	<b>Grand total:</b>					<b>£25,571.87</b>

**Special Notes**

**Delivery Address**

Please note: this cost allows for any colour on the K7 RAL switch. There may be an additional cost for colours not included in this switch.

Spectrum Supply via Umbra, 31 Ystrad Road, Swansea West Business Park, Swansea, SA5 4BT  
 Tel: 01792 562015 E-mail: sales@umbrastrading.co.uk

The above sizes are blind sizes which will be used for manufacture  
 The above pricing excludes VAT

Please note that the above pricing is based on this quotation being ordered in full on a single purchase order. Should you require these blinds in phases please discuss this with us as it may affect the pricing.

Adrian has asked to time it 2.65, and add £5,520 (carriage + scaffold, extra time to install).

Also not to name it Kurolok, just 100 Zip Screen.

$$\div 18 = £310 \text{ p/blind} \quad 1) \quad £30.79 \times 2.65 = £81.59 \times 68.4 = £5581$$

$$\div 18 = £232 \text{ p/blind} \quad 2) \quad £15.08 \times 2.65 = £39.96 \times 104.66 = £4182$$

**Staff Name** Adrian  
**Order No** SO15867  
**Measurer or Fitter** Measurer  
**Contact Address** Mr. Patrick O'Connor, Les Niemes, La Grande Route De St. Pierre, St Peter, JE3  
**Customer Ref** 7AX, 07797 829355, poc@me.com  
**Date** 06-08-2024  
**Time** 12:30

**Work Diary**

FINAL MEASURE

Notes : Meet Ben <br /> Glass Room 9 x Roller blind

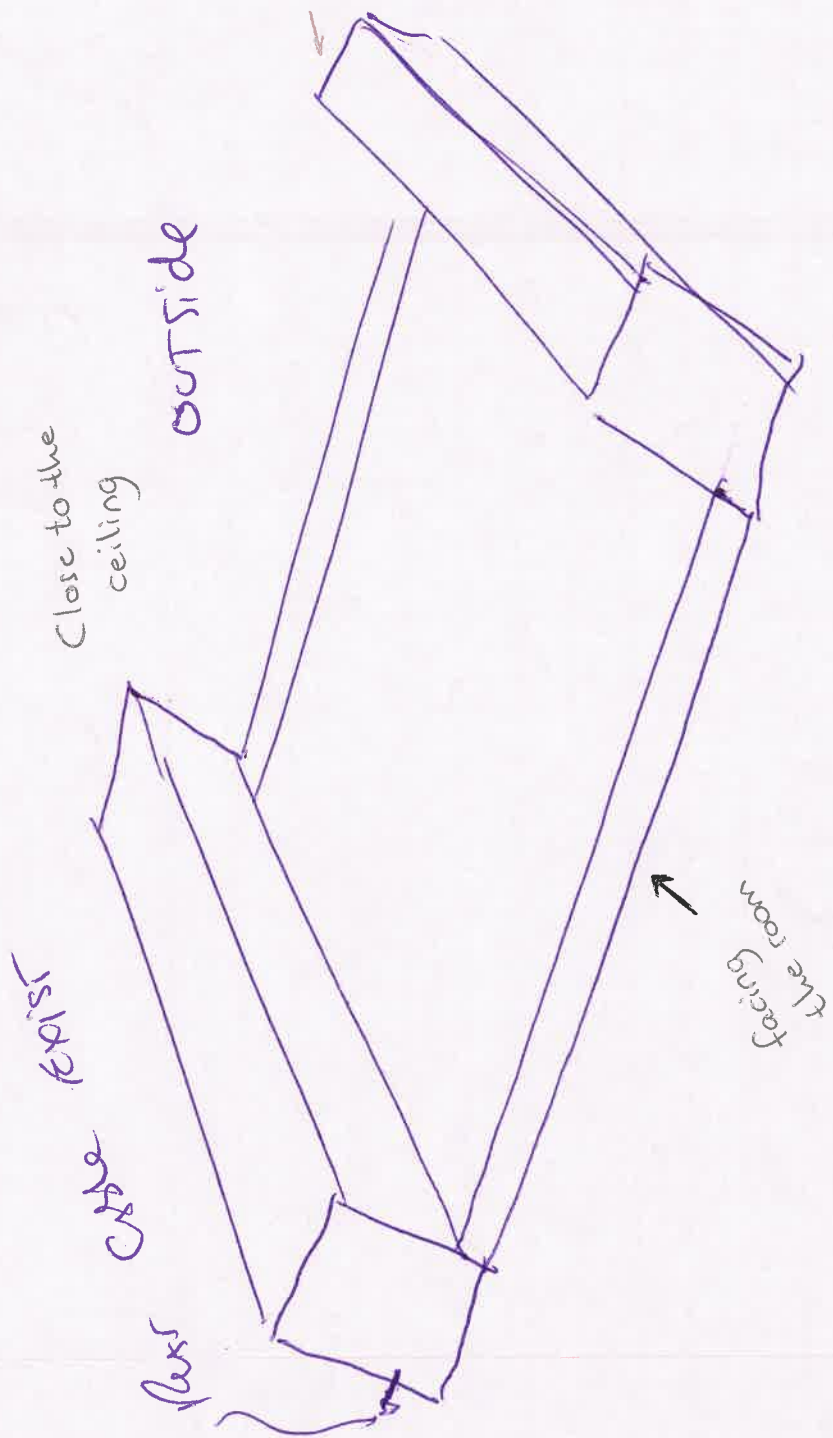
Location	Supplier	Blind Type /Description	Colour	Qty	Width	Drop	Fitting Height	Blind/Recess	Controls	Brackets	Surface	Unit Price
1			Flax	1	1870	3160		RP				
2				1	1880							
3				1	1880							
4				1	1878							
5				1	2257	1595						
6				1	1878	3160						
7				1	1880							
8				1	1880							
9				1	1870							
					See notes over							

Comments: Quote Q34292 -55599

Order Date

Customer Signature  
 X I have checked and agree with the above choices

Target Fitting Date







Mr. Patrick O'Connor

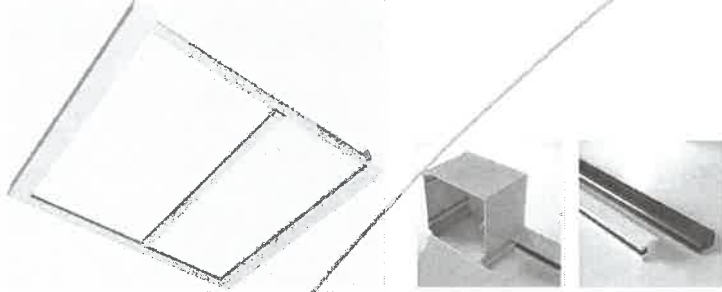
Les Niemes  
La Grande Route De St. Pierre  
St Peter  
JE3 7AX

Date	Reference	Your Contact
27-06-2024	SO15867	Tamara
<b>Customer Ref.</b>		

## Quote

Our Price Promise to you  
We are so confident our pricing is competitive, that we will beat any written quotation for equivalent product by 5%

### Supply & Fit/Supply Only

Location	Description	QTY	Price
Glass Room	Roller blind, 100 Zip Screen Roller Blind with fabric retention, constant-tension spring technology and slim side channels, in a Spectrum 5010 3% screen fabric in a colour of your choice. Hardware powder coated in a custom K7 RAL colour. Operated with a Somfy Sonesse 40 RTS motor. Includes L-shaped angle profiles.	18	
			
	Situo 5 remote control,	2	
	Somfy Tahoma Switch Home Hub (including programming),	1	
	Includes use of scaffolding needed for installation., Electrical works not included, Subject to final measurements,		

**Terms :** 40% deposit due with order, 40% on delivery & final 20% on completion

<b>BACS Payment</b>		<b>Phone and Card Payment</b>	<b>Subtotal : £ 73,685.00</b>
Bank: NatWest	Sort Code: 60 12 03	Payment can be made in person or by phone. If phone, please call us on 01534 768141 and have your card details ready.	
Account No: 66577772	Carpet Protection (C.I) Ltd T/A CP Interiors	Note, we do not accept American Express or Cheque payments.	<b>GST : £ 3,684.25</b>
			<b>Total : £ 77,369.25</b>

Please note: This quotation is only valid for acceptance for 7 days. Our estimate does not include any electrical work or additional carpentry work to install the above unless otherwise specified. Please note there is a handling charge on customer own fabric of £5 per metre. Due to high costs of labour, pre-arranged missed fitting appointments will be charged on a time-wasted basis. Settlement is due on completion of works and an administration charge of £25 will be added per month if unpaid within 30 days. We reserve the right to charge for design, advice and liaison work carried out should an order not be placed. Goods remain the property of CP Interiors until full settlement is received. Should payment not be received we reserve the right to attend premises during working hours to remove goods and not be required to make good. Our full terms and conditions apply and are available on request.





# CP INTERIORS

Mr. Patrick O'Connor

Les Niemes  
La Grande Route De St. Pierre  
St Peter  
JE3 7AX

Date	Reference	Your Contact
26-06-2024	SO15867	Tamara
<b>Customer Ref.</b>		

## Quote

Our Price Promise to you  
We are so confident our pricing is competitive, that we will beat any written quotation for equivalent product by 5%

### Supply & Fit/Supply Only

Location	Description	QTY	Price
<i>Glam Room.</i>	Roller blind, 100 Zip Screen Roller Blind, in a Spectrum 5010 3% screen fabric in a colour of your choice. Hardware powder coated in <del>one of the</del> K7 RAL colour. Operated with a Somfy Sonesse 40 RTS motor. Includes L-shaped angle profiles.	18	
	Situo 5 remote control,	2	
	Somfy Tahoma Switch Home Hub (including programming),	1	
	Includes use of scaffolding needed for installation., Electrical works not included, Subject to final measurements,		

*with fabric selection + blind side channels*

*a custom custom*

**Terms :** 40% deposit due with order, 40% on delivery & final 20% on completion

<b>BACS Payment</b>		<b>Phone and Card Payment</b>	<b>Subtotal : £ 73,685.00</b>
Bank: NatWest	Sort Code: 60 12 03	Payment can be made in person or by phone. If phone, please call us on 01534 768141 and have your card details ready.	<b>GST : £ 3,684.25</b>
Account No: 66577772	Carpet Protection (C.I) Ltd T/A CP Interiors	Note, we do not accept American Express or Cheque payments.	<b>Total : £ 77,369.25</b>

Please note: This quotation is only valid for acceptance for 7 days. Our estimate does not include any electrical work or additional carpentry work to install the above unless otherwise specified. Please note there is a handling charge on customer own fabric of £5 per metre. Due to high costs of labour, pre-arranged missed fitting appointments will be charged on a time-wasted basis. Settlement is due on completion of works and an administration charge of £25 will be added per month if unpaid within 30 days. We reserve the right to charge for design, advice and liaison work carried out should an order not be placed. Goods remain the property of CP Interiors until full settlement is received. Should payment not be received we reserve the right to attend premises during working hours to remove goods and not be required to make good. Our full terms and conditions apply and are available on request.