

SC241125561 - CP Interiors



Created by		Rachel Allo		Customer Information		Delivery Information		Order Notes	
Group Order No	SC241125561	Title		Colour	Pure White	Address Line 1	DSV Road Ltd	Shutter Type	Full Height
SC Order No	N/A	First Name	Melanie	Tilt control		Address Line 2	10 Brunel Way	Width	942mm
Total Shutter SQ/M	5.14	Last Name	Mulry	Frame sides	Top	Address Line 3	Segensworth Ind Est	Split Position	660mm
Freight Method		Order Reference	SO15690	Hinge type	Standard Hinge	Postcode	PO15 5TX	Split Position 2	mm
#3 Room	Bedroom	Range	Shutters - Cuba	Roof Catch	False			Height	1250mm
Additional Shutter Options		Panel type	Regular	Roof Catch	False			Shutter Type	Full Height
Midrail	None	Midrail	None	Roof Catch	False			Width	942mm
Config	LR	Config	LR	Roof Catch	False			Split Position	660mm
Frame Options		Frame	Beaded L Frame 46mm	Roof Catch	False			Split Position 2	mm
Stile & Hinge		Stile	41.3mm Beaded D-Mould Stile	Roof Catch	False			Bottom	Frame
Fitted hardware		Side magnets	False	Roof Catch	False			Left	None
Batten #1		Type	Batten, 3 x 20	Roof Catch	False			Right	None
Batten #2		Type	Batten, 3 x 20	Roof Catch	False			Frame sides	# 2;
Notes	with light block strip	Colour	Pure White	Roof Catch	False			Build out	None
#4 Room	Bedroom	Range	Shutters - Cuba	Roof Catch	False			Frame sides	# 2;
Additional Shutter Options		Panel type	Regular	Roof Catch	False			Build out	None
Midrail	One	Midrail	One	Roof Catch	False			Frame sides	# 2;
Config	LR	Config	LR	Roof Catch	False			Build out	None
Frame Options		Frame	Beaded L Frame 46mm	Roof Catch	False			Frame sides	# 2;
Stile & Hinge		Stile	41.3mm Beaded D-Mould Stile	Roof Catch	False			Build out	None
Fitted hardware		Side magnets	False	Roof Catch	False			Frame sides	# 2;
Batten #1		Type	Batten, 3 x 15	Roof Catch	False			Build out	None
Batten #2		Type	Batten, 3 x 15	Roof Catch	False			Frame sides	# 2;
Notes		Colour	Pure White	Roof Catch	False			Build out	None
#5 Room	Living Room	Range	Shutters - Cuba	Roof Catch	False			Frame sides	# 2;
Additional Shutter Options		Panel type	Regular	Roof Catch	False			Build out	None
Midrail	One	Midrail	One	Roof Catch	False			Frame sides	# 2;
Config	LR	Config	LR	Roof Catch	False			Build out	None
Frame Options		Frame	Beaded L Frame 60mm	Roof Catch	False			Frame sides	# 2;
Stile & Hinge		Stile	41.3mm Beaded D-Mould Stile	Roof Catch	False			Build out	None
Fitted hardware		Side magnets	False	Roof Catch	False			Frame sides	# 2;
Batten #1		Type	Batten, 3 x 15	Roof Catch	False			Build out	None
Batten #2		Type	Batten, 3 x 15	Roof Catch	False			Frame sides	# 2;
Notes		Colour	Pure White	Roof Catch	False			Build out	None
#5 Room	Living Room	Range	Shutters - Cuba	Roof Catch	False			Frame sides	# 2;
Additional Shutter Options		Panel type	Regular	Roof Catch	False			Build out	None
Midrail	One	Midrail	One	Roof Catch	False			Frame sides	# 2;
Config	LR	Config	LR	Roof Catch	False			Build out	None
Frame Options		Frame	Beaded L Frame 60mm	Roof Catch	False			Frame sides	# 2;
Stile & Hinge		Stile	41.3mm Beaded D-Mould Stile	Roof Catch	False			Build out	None
Fitted hardware		Side magnets	False	Roof Catch	False			Frame sides	# 2;
Batten #1		Type	Batten, 3 x 15	Roof Catch	False			Build out	None
Batten #2		Type	Batten, 3 x 15	Roof Catch	False			Frame sides	# 2;
Notes		Colour	Pure White	Roof Catch	False			Build out	None

Tamara checked
10/06/24

Work Diary

Staff Name: Adrian
Order No: SO15690
Measurer or Fitter: Measurer
Contact Address: Mrs. Melanie Mulry, Old Station House South, La Rue A Don, Grouville, JE3 9DY, Shuttlers
Customer Ref: 05-06-2024
Date: 09:00
Time:

Notes: final measure - changed new utility shutters to venetians - removed kitchen all together - check secondary glazing.

Location	Supplier	Blind Type /Description	Colour	Qty	Width	Drop	Fitting Height	Blind/Recess	Controls	Brackets	Surface	Unit Price
Bed		Plankation Shutter 76 Silent fit		1	942	1250	CD+2	UR				
							split fit	660				
							20mm	min to sides				
"		"		1	1030	2005	CD-12	UR				
							with TOP & Bottom	1300				
							4 side	6-50				
LN		"		1	1350	1400	CD+2	UR				
							mid	70				
							4 side	6-60				
LIV		Secondary double glazing Horizontal noise reducing glass		1	1335	1400	2 panels					
							SS	SS base				

Comments:

Customer Signature _____

I have checked and agree with the above choices

Order Date _____ Target Fitting Date _____

01828
919653

Work Diary

Staff Name: Adrian
Order No: SO15690
Measurer or Fitter: Measurer

Contact Address: Mrs. Melanie Mulry, Old Station House South, La Rue A Don, Grouville, JE3 9DY, 625644, 07797897961, melmulry@icloud.com

Customer Ref: P70
Date: 02-05-2024
Time: 11:00

Notes: 0 To measure and advise for conservatory blinds and shutters.

Location	Supplier	Blind Type / Description	Colour	Qty	Width	Drop	Fitting Height	Blind/Recess	Controls	Brackets	Surface	Unit Price
new	TOP	Plant Shut	Blue	1	902	1260	OD+2 UR	B/S	MAN	FAIR		406
Living Room S-C	TOP	Plant Shut	White		1000	1500	3 Sided	BS	MAN	FAIR	can select on panel with valance	404
"	Shutter Tit	venetian			897	1260	OD+2 UR	UR				
"					1000	1500	76	BS	MAN	FAIR		
Bed				1	942	1250	split tit	60	60			420
"		+ top + Bottom					UR					
"		BASTER			split tit	600	20 mm	min to 3 sides	L-50 + S/N plate			729
"				1	1030	2005	OD+2	UR				
"							max	rail	1300		can't select sill plate with L-frame.	
LV		Secondary Plac		1	1340	1400	4 sided	L-50				
"		Horizontal 2 panel			55 mm	55						
"		Plankation		1	1350	1400	OD+2 UR	mid rail	720			634
Kitchen		Nothing O (was shutter)							L-frame or buttrose?			
							4 side	L-60				

Comments:

Order Date

Customer Signature

X I have checked and agree with the above choices

T: Fitting Date

Mrs. Melanie Mulry

**Old Station House South
La Rue A Don
Grouville
JE3 9DY**

Date	Reference	Your Contact
14-05-2024	SO15690Q2	Rachel

Customer Ref.

Secondary Glazing

Quote

Our Price Promise to you
We are so confident our pricing is competitive, that we will beat any written quotation for equivalent product by 5%

Supply & Fit/Supply Only

Location	Description	QTY	Price
Living Room	Secondary double glazing, Tilt back balanced vertical slider with Luxury sub frame, face fix. Single glazed 4mm Toughened., semi gloss.	1	£ 833.00

Terms : 50% deposit due with order, 50% on completion

BACS Payment		Phone and Card Payment		Subtotal :	£ 833.00
Bank:	NatWest	Payment can be made in person or by phone. If phone, please call us on 01534 768141 and have your card details ready. Note, we do not accept American Express or Cheque payments.		GST :	£ 41.65
Sort Code:	60 12 03			Total :	£ 874.65
Account No:	66577772				
Carpet Protection (C.I) Ltd T/A CP Interiors					


Please note: This quotation is only valid for acceptance for 7 days. Our estimate does not include any electrical work or additional carpentry work to install the above unless otherwise specified. Please note there is a handling charge on customer own fabric of £5 per metre. Due to high costs of labour, pre-arranged missed fitting appointments will be charged on a time-wasted basis. Settlement is due on completion of works and an administration charge of £25 will be added per month if unpaid within 30 days. We reserve the right to charge for design, advice and liaison work carried out should an order not be placed. Goods remain the property of CP Interiors until full settlement is received. Should payment not be received we reserve the right to attend premises during working hours to remove goods and not be required to make good. Our full terms and conditions apply and are available on request.

Estimate Ref.	E1820
Your Ref.	



**DURATION
WINDOWS**

Tilt Back Balanced Vertical Slider ITEM 1




Equal Splits

Height: 1400mm

Width: 1335mm

Style #53

Please Contact Us Regarding This Item, Before You Order.

Location	MULRY SO15690Q2		
System	Luxury Subframe; Face Fix, MDF (SF1) TM1 White Plastic		
Glass	Single Glazed 4mm Toughened.		
Colour	HIPCA White	Price Each	£333.00
RAL Number	9910	Quantity	1
Gloss Level	Semi Gloss	Price Total	£333.00

x 2.5 = 833

Estimate Ref	E1820
Your Ref	



Estimate Summary

Total Number of Items: 1
Total Cost of Goods: £333.00
Online Discount: £0.00 (N/A)
RAL Surcharge: £0.00 (N/A)

Please Note:
 This quote was calculated using a Trade discount.
 The price shown here is a total price for the 1 item(s) on page one - EXTRA DISCOUNTS apply for 6+ items. All prices exclude VAT and delivery. This price does not include an online discount. Please read this page in conjunction with pages 3 and 4.

Total Price: **£333.00** +VAT +Delivery

A 'RAL Surcharge' is only applied to orders that include RAL painted frames. Due to the bespoke nature of RAL painted products, they incur a surcharge for each different colour. Our Secondary Glazing can be white, brown, or silver or painted in any of over 200 different RAL colours, in a matt, gloss or semi gloss finish.

Optional Extras

Cover Trims

Our Slim-line Equal Leg comes with TM0 cover trims as standard, while our Luxury Subframe system comes with TM1 cover trims as standard. Wider Trims are available, costing around 20p - 60p per/m.

The Slim-line system and Luxury system with MDF subframe have white plastic trims, while other hardwood subframe options come with Trims to match the subframe. i.e. if you have a solid oak subframe the trims are also solid oak.

You can however have any trims you like for an extra cost. Contact us for a price / more information.

[Find Out More](#)

Gaskets

Gaskets come in black as standard, for all systems however you can choose grey gaskets, for all 4mm single glazing options, currently at **no extra cost**.

[Find Out More](#)

Insulating Frame Foam

You can add insulating foam to our Slim-line Equal Leg frames for an extra £3 /m. The foam is applied into the channel in the outerframe. Before fitting simply remove the plastic seal and the foam will slowly expand to fill the gap around your secondary glazing.

[Find Out More](#)

Pre-drilling frames: All face fix and deep face frames are pre-drilled as standard for ease of installation, but due to the unknown nature of the walls of the reveal, all reveal fix frames cannot be pre-drilled. For example there could be electrical wires, gas or water pipes within the walls of the property either side of the existing window.

Your Details

Customers Name: TBA
Company Name: TBA

Email Address: TBA
Mobile Number: TBA
Landline Number: TBA

VAT Details: None.
VAT Check: Not Checked. (Office Quote)
VAT Result: ...

Invoice Address

To Be Acknowledged

Delivery Address

To Be Acknowledged

Some of your items are shown with a warning triangle, and flagged as possible 'problem frames'. We may not be able to price / manufacture these items. Items we cannot price will simply state 'Please Ask'. You should consult our technical department regarding these items.



**DURATION
WINDOWS**

Notes, Terms and Conditions

The Warning Icon

Designs that display a warning icon are either overweight, outside the recommended sizes or may require toughened or 6mm glass to be specified. We may not be able to manufacture or price these items. Please contact our sales department to discuss your options.

The Handling Icon

Designs that show a handling icon are considered to be large and/or heavy. They may be difficult to handle and we would recommend that you carry out a risk assessment before lifting or installing these units. Two people may be required when handling these units. Contact us for more information.

Hardware Colours

Hardware is available in the colours outlined below:

Horizontal Sliders (except Heavy Duty Sliders) come with colour matched aluminium catches, there is no choice of colour. Horizontal & Vertical Heavy Duty Sliders, Tilt Back Vertical Sliders and Hinged units come with white or black Fitch catches. Unbalanced Vertical Sliders come with plastic finger pulls, while all balanced vertical sliders (except Heavy Duty Sliders) come with a silver Fitch catch. Generally speaking; White painted secondary glazing will have white handles as standard, wherever possible, and all other paint colours will have black handles as standard, wherever possible. You can however choose your handle colour from the available colours, if you don't want the standard handle colour.

How Do I Order & What Happens Next?

To order this quote, click the 'Place My Order' button on the basket page of the online estimator. Once you have filled out your details, click the 'Proceed' button and your order request will be sent to us. You will also be emailed a confirmation of your order request. You will not be able to make any further changes to your quote, if you need to make any changes, [contact us](#) directly. Alternatively [send us](#) this PDF along with your contact details, stating that you wish to turn this quote into an order.

We do not require any money at this stage. Once you have requested that your quote be turned into an order we may contact you within the next few days, during normal office hours to discuss items with warnings, confirm window details, delivery address, lead time etc.

We will then check your designs, process your order and email you an order sign off. Only once we have sent you an order sign off, will we discuss payment. You will need to check this, sign & return it and pay any deposits. Until you do this your order will not have been officially accepted as an order, and will be temporarily put on hold. It is therefore important that you sign and return the order sign off and pay any deposits as soon as possible. Once you have done so, your order will be put through to production to begin the manufacturing process.

Payment Terms & Conditions

All items are priced individually. Prices exclude VAT. Payment terms are C.O.D. Most credit cards are accepted. First orders and any order values in excess of £5,000 will require a deposit and the balance payable on delivery. Estimates stand for 8 weeks and are not an offer to supply goods. Estimates are merely an estimate of costs, which Duration Windows reserve the right to vary, substitute or withdraw without prior notification.

Lead Times

An estimated lead time will be shown on your order sign off. Once you sign and return your order sign off and pay any deposits, your order will go round to Production. Production will confirm your lead time and provide a week commencing date. Lead times can vary so please contact Sales for current lead times. ~~If you require your order ASAP then please speak to us and ask about our~~ [Fast Track Ordering service](#).

Amy Cross (Duration)

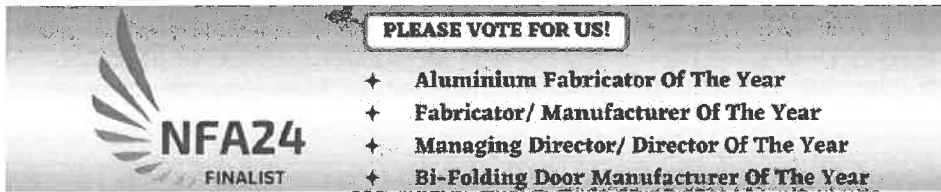
From: Quotes
Sent: 14 May 2024 08:59
To: Amy Cross (Duration)
Subject: FW: E1820

Follow Up Flag: Follow up
Flag Status: Flagged

Categories: QUOTES

Regards

Danni Lewis | Quotes Department | Ext: 533



From: SalesInbox <salesinbox@duration.co.uk>
Sent: Monday, May 13, 2024 2:23 PM
To: Quotes <quotes@duration.co.uk>
Subject: E1820

E1820

Regards

Laura Smith | Delivery/Orders Department | Ext: 510



From: Amy Cross (Duration) <amyc@duration.co.uk>
Sent: Monday, May 13, 2024 2:04 PM
To: SalesInbox <salesinbox@duration.co.uk>
Subject: FW: MULRY SO15690Q2

Regards

Amy Cross | Quotes Department | Ext: 640



- [Watch our new Chelton slim handle video on YouTube](#)
- [See our showroom video](#)

From: Rachel Baugh <rachel@cpinteriors.je>
Sent: Monday, May 13, 2024 2:02 PM
To: Amy Cross (Duration) <amyc@duration.co.uk>
Subject: MULRY SO15690Q2

Hi Amy,

Please can I get a quote for secondary glazing

Living Room: 1335 x 1400mm

Kind Regards

Rachel
Baugh

Interior Design Advisor
rachel@cpinteriors.je



Unit 28 Rue Des Pres Trading Estate
St Saviour
Jersey
JE2 7QN
01534 768141 | www.cpinteriors.je
 



With our CP Price promise, we will beat any quote by 5% **
** On like for like products only



CP INTERIORS

Mrs. Melanie Mulry

Old Station House South
La Rue A Don
Grouville
JE3 9DY

Date	Reference	Your Contact
07-05-2024	SO15690	Tamara

Customer Ref.

Shutters

Quote

Our Price Promise to you

We are so confident our pricing is competitive, that we will beat any written quotation for equivalent product by 5%

Supply & Fit/Supply Only

Location	Description	QTY	Price
<u>New Utility Room</u>	. Premium Cuba full height shutter panels, with 76mm louvres and silent tilt mechanism, finished in pure white with white hinges, including frames and trimmings to cover uneven windows where required., Plantation Shutter, deep bullnose frame, sill plate, 2 panels - LR	1	£ 406.00
<u>New Utility Room</u>	Plantation Shutter, deep bullnose frame, sill plate, split tilt, 2 panels - LR	1	£ 404.00
<u>Bedroom</u>	Plantation Shutter, L-46 frame, sill plate, split tilt, 2 panels - LR	1	£ 420.00
<u>Bedroom</u>	Plantation Shutter, L-46 frame, mid rail, 2 panels - LR	1	£ 729.00
<u>Living Room</u>	Plantation Shutter, L-46 frame, mid rail, 2 panels - LR	1	£ 634.00
* <u>Kitchen</u>	Plantation Shutter, L-46 frame, mid rail, 2 panels - LR	1	£ 343.00
<p>For the Plantation Shutters, delivery is approximately 10-12 weeks from the time of placing your order. An airfreight service is available to you at an extra cost reducing the delivery time to an average of 5 to 6 weeks. An accurate costing may be given on request.</p>			

Terms : 50% deposit due with order, 50% on completion

BACS Payment	
Bank:	NatWest
Sort Code:	60 12 03
Account No:	66577772
Carpet Protection (C.I) Ltd T/A CP Interiors	

Phone and Card Payment
Payment can be made in person or by phone. If phone, please call us on 01534 768141 and have your card details ready. Note, we do not accept American Express or Cheque payments.

Subtotal :	£ 2,936.00
GST :	£ 146.80
Total :	£ 3,082.80

Please note: This quotation is only valid for acceptance for 7 days. Our estimate does not include any electrical work or additional carpentry work to install the above unless otherwise specified. Please note there is a handling charge on customer own fabric of £5 per metre. Due to high costs of labour, pre-arranged missed fitting appointments will be charged on a time-wasted basis. Settlement is due on completion of works and an administration charge of £25 will be added per month if unpaid within 30 days. We reserve the right to charge for design, advice and liaison work carried out should an order not be placed. Goods remain the property of CP Interiors until full settlement is received. Should payment not be received we reserve the right to attend premises during working hours to remove goods and not be required to make good. Our full terms and conditions apply and are available on request.

J.

MASTERBLINDS

SPECIALIST MANUFACTURERS TO THE TRADE

Quotation

Delivery Method	DATE	NO.
Delivery DX	09-05-2024	ON077160

Master Blinds
 Unit 8, Greenlea Park
 Prince Georges Road
 Merton, SW19 2JD
 Tel : 020 8648 6008 Fax : 020 8640 8044

TO
CP Interiors Rue Des Pres Trading Estate St Saviour Jersey JE2 7QN

Cust. Acc. No.	P.O. No.	TERMS
CP001	SO15690Q1	28th of next month

DESCRIPTION	QTY	RATE	DISCOUNT	AMOUNT
To Supply 1 Cellular - Manual - Roof Blind 400, 1600, Recess Size , 25mm - Elan DuoTone, -,PB10 - Band B, Spring Clip Top Fix - White, Hardware Colour T.B.C. ✓	1 ✓	79.00		79.00 238
To Supply 3 Cellular - Manual - Roof Blind 405, 1600, Recess Size , 25mm - Elan DuoTone, -,PB10 - Band B, Spring Clip Top Fix - White, Hardware Colour T.B.C. ✓	3 ✓	94.00		282.00 765
To Supply 2 Cellular - Manual - Roof Blind 430, 1600, Recess Size , 25mm - Elan DuoTone, -,PB10 - Band B, Spring Clip Top Fix - White, Hardware Colour T.B.C. ✓	2 ✓	94.00		188.00 510
To Supply 3 Cellular - Manual - Roof Blind 405, 1600, Recess Size , 25mm - Elan DuoTone, -,PB10 - Band B, Spring Clip Top Fix - White, Hardware Colour T.B.C. ✓	3 ✓	94.00		282.00 765
To Supply 1 Cellular - Manual - Roof Blind 390, 1600, Recess Size , 25mm - Elan DuoTone, -,PB10 - Band B, Spring Clip Top Fix - White, Hardware Colour T.B.C. ✓	1 ✓	79.00		79.00 238
To Supply 1 Telescopic Pole 1.5m - 3m ✓	1	21.63		21.63 54
<p>ELAN 0261 SPAGHETTI ✓</p> <p>Blindsize ✓</p> <p>Tamara checked 30/05/24</p>				

Notes:	
I have quoted these as Smart Cord Manual Blinds for easier operation.	
List Price	931.63
VAT SUMMARY	
SUB TOTAL	931.63
VAT TOTAL	0.00
TOTAL	931.63



CP INTERIORS

Mrs. Melanie Mulry

Old Station House South
La Rue A Don
Grouville
JE3 9DY

Date	Reference	Your Contact
13-05-2024	SO15690Q1	Rachel

Customer Ref.
Conservatory Roof Blinds

Quote

Our Price Promise to you
We are so confident our pricing is competitive, that we will beat any written quotation for equivalent product by 5%

Supply & Fit/Supply Only

Location	Description	QTY	Price
	. 25mm Cellular honeycomb in an Elan Duo Tone fabric, colour to be decided. Includes white hardware and extendable Telescopic Pole, Conservatory Roof, <i>Shade Cord</i>	1	£ 238.00
	Conservatory Roof, <i>0261 spaghetti</i>	3	£ 765.00
	Conservatory Roof,	2	£ 510.00
	Conservatory Roof,	3	£ 765.00
	Conservatory Roof,	1	£ 238.00
	Telescopic Pole 1.5m - 3m range,	1	£ 54.00

Terms : Payment with Order

Subtotal : £ 2,570.00 ✓

BACS Payment

Bank: NatWest
Sort Code: 60 12 03
Account No: 66577772
Carpet Protection (C.I) Ltd T/A CP Interiors

Phone and Card Payment

Payment can be made in person or by phone.
If phone, please call us on 01534 768141 and have your card details ready.
Note, we do not accept American Express or Cheque payments.

GST : £ 128.50

Total : £ 2,698.50

Please note: This quotation is only valid for acceptance for 7 days. Our estimate does not include any electrical work or additional carpentry work to install the above unless otherwise specified. Please note there is a handling charge on customer own fabric of £5 per metre. Due to high costs of labour, pre-arranged missed fitting appointments will be charged on a time-wasted basis. Settlement is due on completion of works and an administration charge of £25 will be added per month if unpaid within 30 days. We reserve the right to charge for design, advice and liaison work carried out should an order not be placed. Goods remain the property of CP Interiors until full settlement is received. Should payment not be received we reserve the right to attend premises during working hours to remove goods and not be required to make good. Our full terms and conditions apply and are available on request.

Conservation

rod slider

1 x 400

3 x 405

2 x 430 x 1600

3 x 405

1 x 390

815

wavel op

2 metres

14th Nov

Plantation

720 x 1360

cost 2 CR

with row 720

343

Staff Name Adrian

Work Diary

Order No SO15690

Measurer or Fitter Measurer

Customer Ref

Date 02-05-2024

Time 11:00

Contact Address Mrs. Melanie Mulry, Old Station House South, La Rue A Don, Grouville, JE3 9DY, 625644, 07797897961, melmulry@icloud.com

Notes : 0 To measure and advise for conservatory blinds and shutters.

PTO

Location	Supplier	Blind Type /Description	Colour	Qty	Width	Drop	Fitting Height	Blind/Recess	Controls	Brackets	Surface	Unit Price
New	TPP	Planation	Blue	1	902	1260	0072 UR					406
Window	Planation S-C	JG 84 Hidden	White				3 Side deep L-shaped + sill plate					
"	Silhouette			1	897	1260	0212 UR	As above				404
Bed		"		1	942	1250	split lift UR	split lift 6060				420
"		"			split lift 660		3 side L-50 + sill plate					
"		"		1	1030	2005	OD+2 UR	20 mm trim to 3 sides				729
LW		Secondary Planation		1	1340	1400	4 sided L-50	mid rail 1300				
"		Planation		1	1350	1400	0072 UR	mid rail				634

Comments:

Order Date

Customer Signature

X I have checked and agree with the above choices

Targeting Date