

weinor Ltd 73 Cornhill EC3V 3QQ London

## C P Interiors

**Rue Des Pres Trading Estate  
GB-JE2 7QN St Saviour Jersey**

### delivery address


DSV Road Ltd  
(NO UPS)  
10 Brunel Way, Segensworth Industrial Estate  
GB-PO15 5TX Hampshire, Fareham  
NO UPS

## ORDER CONFIRMATION (release 1)

sales order no.: 202832281 of 26.04.2024  
customer: 165708  
reference: Wright  
Your order no.: SO15638  
contact person: William Abbott  
E-Mail: WAbbott@weinor.de  
phone number: +49-221-59709-472  
representat.: 654 Chris Spickett  
tel (representat.): 0044 ( 0) 7894443907

pos	quantity	article code
-----	----------	--------------

1	1,00	1303 Cassita II
---	------	-----------------

expected delivery date	: 03.06.2024		
Product use	: private flat		
width (cm)	: 350	cm	
Projection [cm]	: 200	cm	2.243,00
Base colour	: RAL 9006 White aluminium		
	: 		
no. of arms	: 2	Piece	
insulation [mm]	: 0	mm	
bracket type 1	: wall fixing		
number of brackets 1	: 2	Piece	58,00

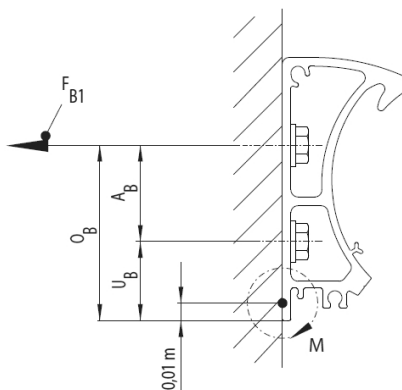
weinor Ltd  
73 Cornhill  
GB-EC3V 3QQ London  
weinor.com

Managing Director:  
Tim Fuldner  
General partner:  
Weinor Beteiligungs-GmbH  
Köln

VAT no.: 335 2381 16  
Company no.: 12193066  
UTR no.: 33431 24084  
EORI no.: GB335238116000

**Domestic transfers:**  
Commerzbank London  
Sort Code: 406201  
Account Number: 307 537 10

**International transfers:**  
Commerzbank London  
IBAN: GB51 COBA 4062 0130 7537 10  
Swift: MIDLGB22 a/c COBAGB2X



**Force 1 means the pull-out force per upper fastener F(B).**

FB1 Force 1 per fixing point	: 1144	N
Torque per folding arm [Nm]	: 206	Nm

**Please note that your selected awning configuration results in the following forces per upper fixing point (pull-out, lateral and/or shear forces). These must be accounted for by using suitable fixings.**

bracket position left [mm]	: 90	mm
bracket position right [mm]	: 90	mm
arm position left	: 58	mm
arm position right	: 58	mm
type of control	: engine	
Side of control (seen from the front)	: Left	
With remote control	: Yes! Please remind the separate order!	
BiConnect		
Information on BiConnect	: The BiConnect has been done in 202832281 position 2!	
electrical engine connection	: 112865-0000 Kabel 4G0.75 L400 STAS3/C-Plug	
Hirschmann plug?	: Hirschmann plug not assembled	14,00
type of motor	: Motor R30-17-E12-V1+ ohne Zubehör mit Steckzapfen	
customised design	: WE6-415	Weitex Classic my collections
real-design	: SA370703	customised design 175,00

weinor Ltd 73 Cornhill EC3V 3QQ London

customer: 165708 sales order 202832281

Page 3 of 4

pos	quantity	article code
-----	----------	--------------

colour of thread Saba	:	2 matching
Cardboard packaging	:	edges reinforcement
weight	:	48 kg

value of goods	discount amount / %	net
2.490,00	996,00 / 40,00	1.494,00

2	1,00	2557	BiConnect
---	------	------	-----------

expected delivery date	:	03.06.2024
deliver BiConnect separate?	:	No; supply receiver and handheld remote control with awning
shipment info	:	The pre set receivers (except LED) and the handset will be packed with contract number 202832281 pos 1!
	:	[REDACTED]
Receiver for motor	:	1 BiRec MA, basic 119,00
control	:	BiConnect BiEasy 1M (silver version) 107,00
learned on channel 1	:	weinor BiConnect BiRec MA for order 202832281/1: with black cable Cassita II engine left
No. of BiSens Agido-3V	:	1 Piece 167,00

value of goods	discount amount / %	net
393,00	157,20 / 40,00	235,80

value of goods	discount amount	net	VAT (0 %)	Total GBP
2.883,00	1.153,20	1.729,80	0,00	1.729,80

weinor Ltd  
73 Cornhill  
GB-EC3V 3QQ London  
weinor.com

Managing Director:  
Tim Fuldner  
General partner:  
Weinor Beteiligungs-GmbH  
Köln

VAT no.: 335 2381 16  
Company no.: 12193066  
UTR no.: 33431 24084  
EORI no.: GB335238116000

**Domestic transfers:**  
Commerzbank London  
Sort Code: 406201  
Account Number: 307 537 10

**International transfers:**  
Commerzbank London  
IBAN: GB51 COBA 4062 0130 7537 10  
Swift: MIDLGB22 a/c COBAGB2X

Our spoken and written advice focuses on an explanation of the best possible use of our products and services. It does not liberate you from the obligation to check fitness of our products and services for your particular purpose. That includes the inspection of the general condition and especially maximum capacity load of fixing base as well as forwarding all respective information in addition to your order to weinor. That way delivery of the correct type and number of brackets is guaranteed. If our product can not be used as upon agreement due to false or lacking information we or any auxiliary person do accept contractual or non-contractual liabilities only in case of malicious intent or gross negligence.

In order to mount all brackets corresponding their fixing base you will need suitable mounting systems. For mounting on concrete C20/25 we recommend heavy duty anchor-systems from fischer (e.g. FAZ II M12/10 GS or FAZ II M12/30 GS). In case of mounting on any other base referred to in our pricelist or on frontal concrete ceiling we recommend the use of injection systems from fischer (e.g. FIS V 360 S). You can order them directly from us.

If you use a different mounting system or your own brackets, you will need a table of pull-out resistance of screw anchors in order to determine the working load.

In addition, our General Terms of Delivery and Payment as per 12/2021, published under the link provided below are valid and we are happy to provide you with them free of charge upon request.

<https://www.weinor.com/terms-and-conditions/>

delivery exw Cologne  
payment: With direct debit 5% discount payment  
mode of dispatch UK export